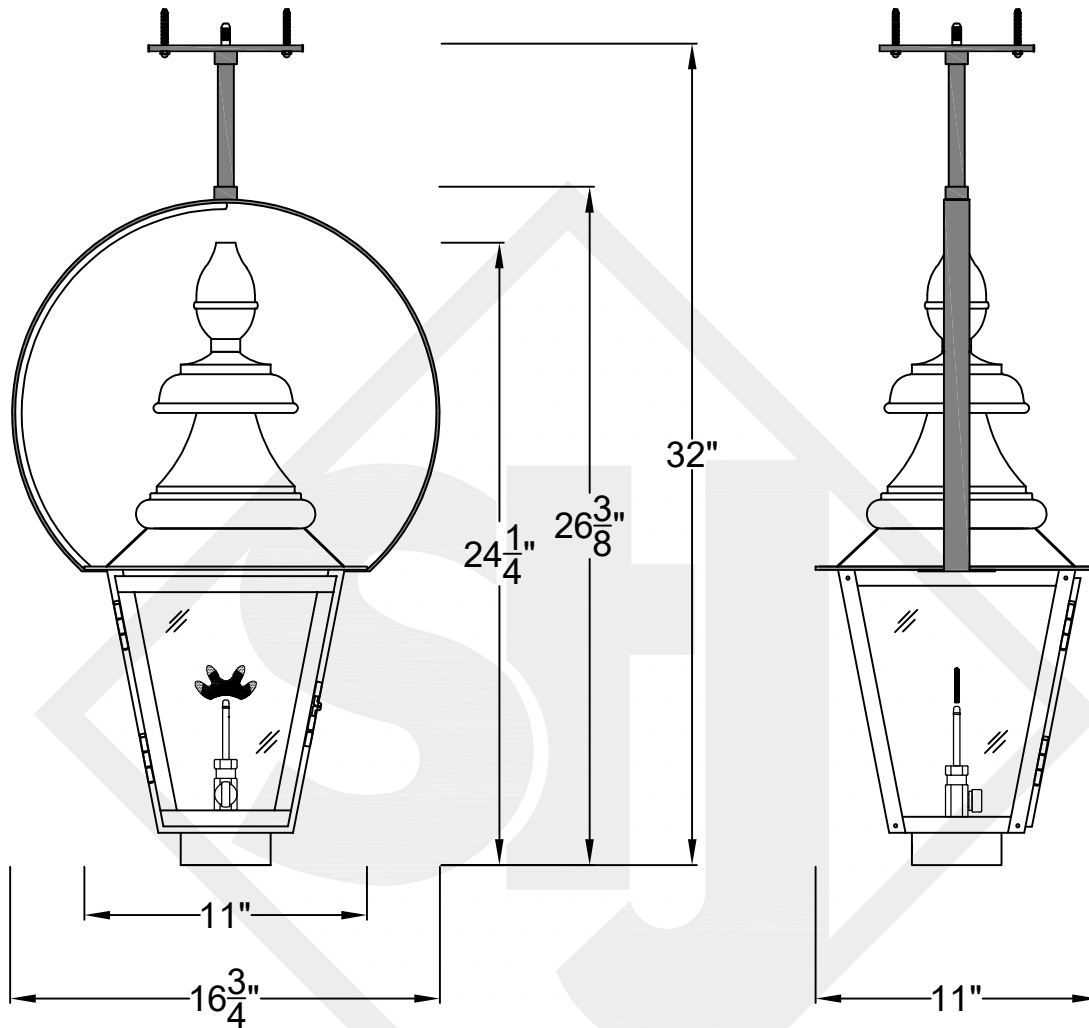


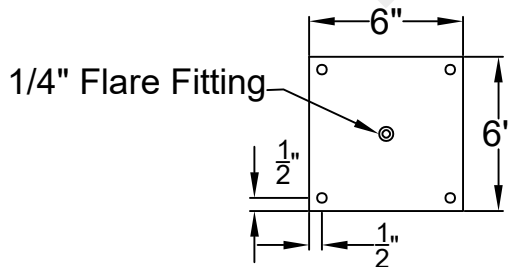
# BIRMINGHAM SMALL CEILING MOUNT HALF YOKE

Shortest Height 29 <sup>5</sup>/<sub>8</sub>"



Front View

Side View



Ceiling Mount



St. James  
LIGHTING

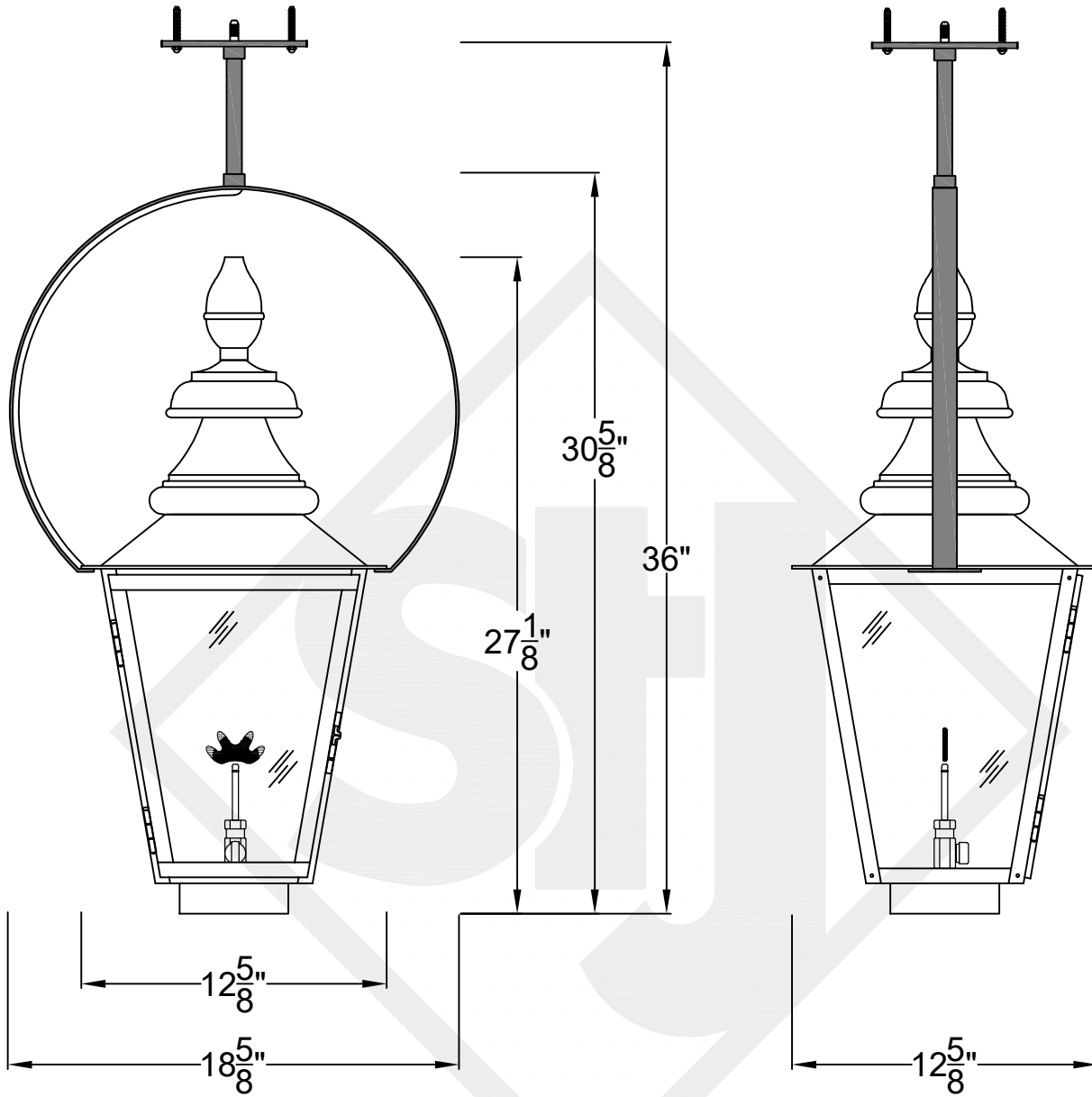
SCALE: N.T.S.	DRAFT: T. Herring
FILE: BIRS	APP'D: J. Ragan
JOB: X	DATE: 4-10-2023

Lights are handcrafted.  
Dimensions may vary by 1/4"

B.T.U. Rating  
Natural Gas: 2730 B.T.U.  
Propane: 2080 B.T.U.

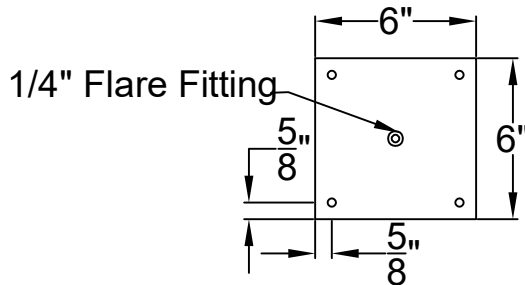
# BIRMINGHAM MEDIUM CEILING MOUNT HALF YOKE

Shortest Height  $32\frac{3}{8}"$



Front View

Side View



Ceiling Mount



St. James  
LIGHTING

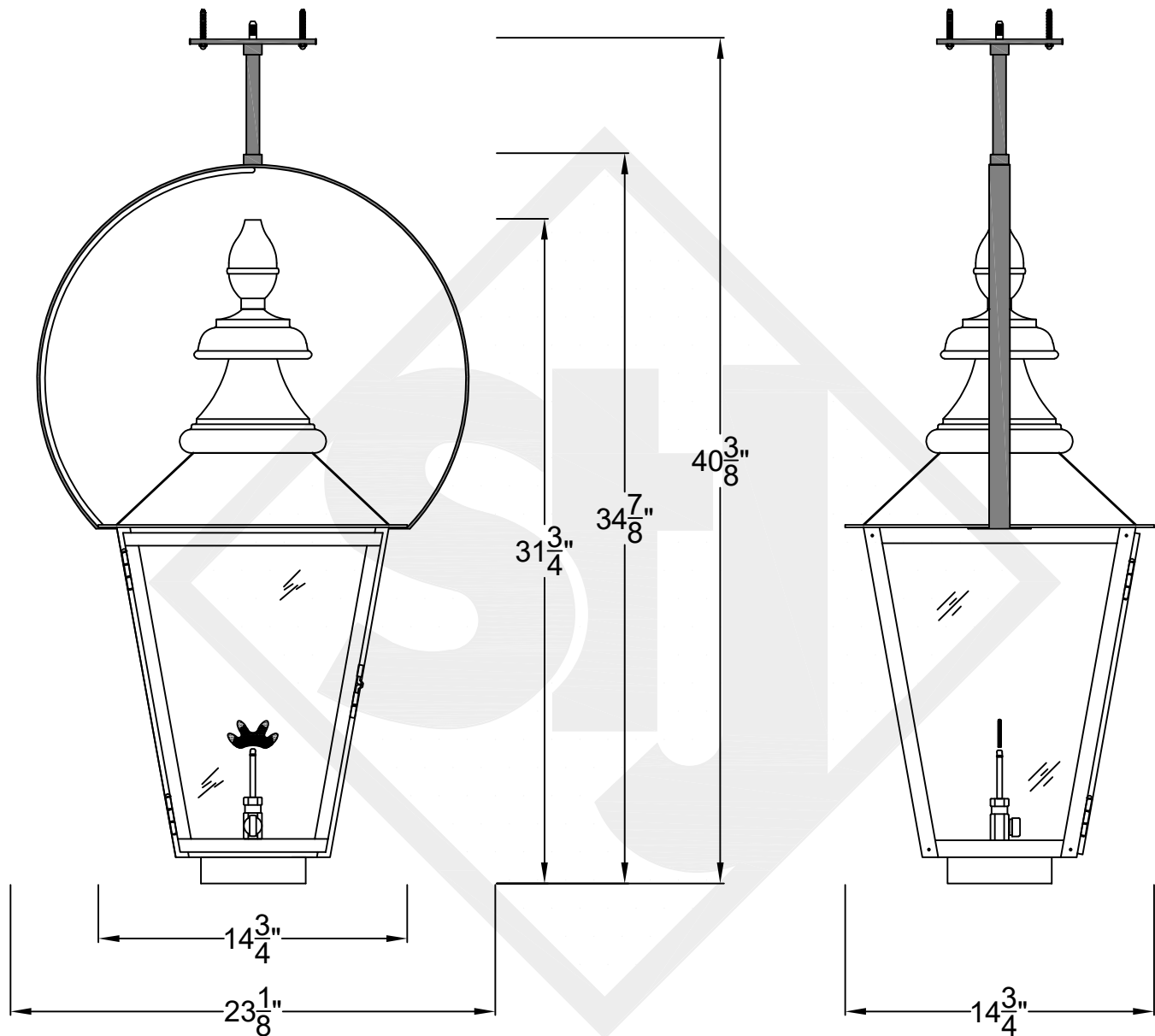
SCALE: N.T.S.	DRAFT: Y. McCullough
FILE: BIRM	APP'D: J. Ragan
JOB: X	DATE: 11/15/23

Lights are handcrafted.  
Dimensions may vary by 1/4"

B.T.U. Rating  
Natural Gas: 2730 B.T.U.  
Propane: 2080 B.T.U.

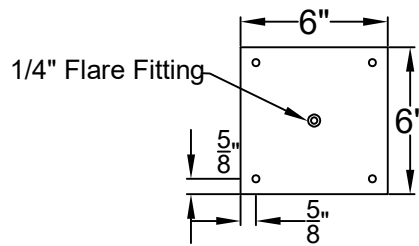
# BIRMINGHAM LARGE CEILING MOUNT HALF YOKE

Shortest Height 37"



Front View

Side View



## Ceiling Mount



St. James  
LIGHTING

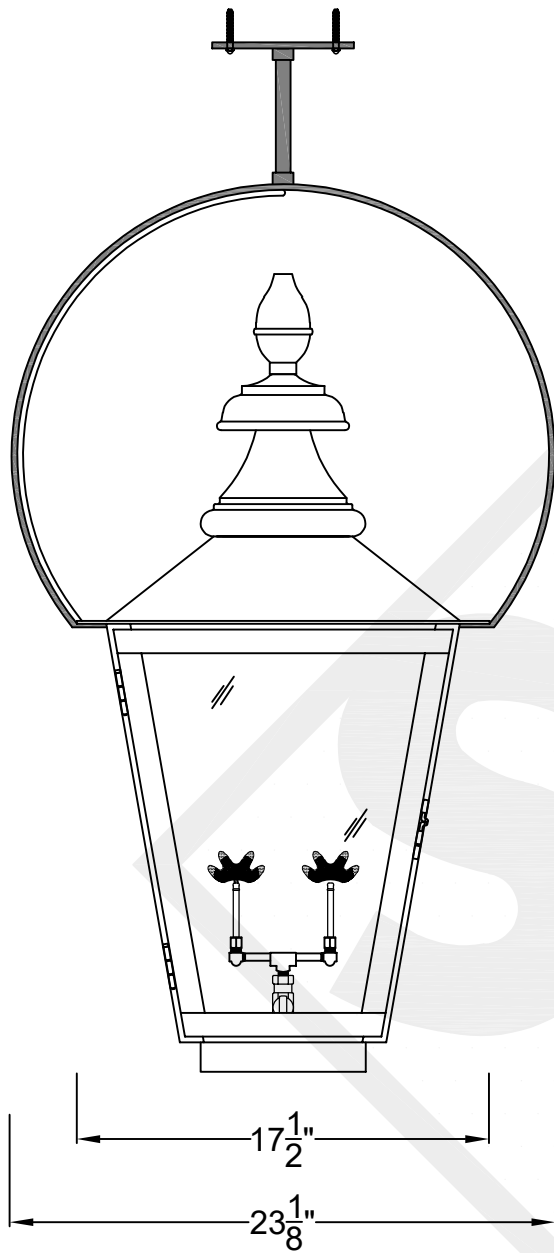
SCALE: N.T.S.	DRAFT: Y. McCullough
FILE: BIRL	APP'D: J. Ragan
JOB: X	DATE: 11/15/23

Lights are handcrafted.  
Dimensions may vary by 1/4"

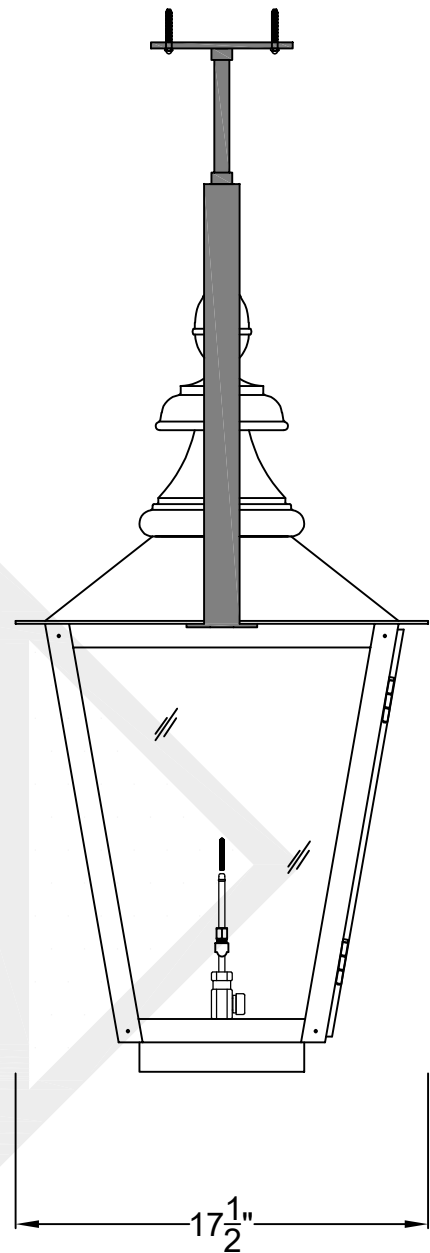
B.T.U. Rating  
Natural Gas: 2730 B.T.U.  
Propane: 2080 B.T.U.

# BIRMINGHAM GRANDE CEILING MOUNT HALF YOKE

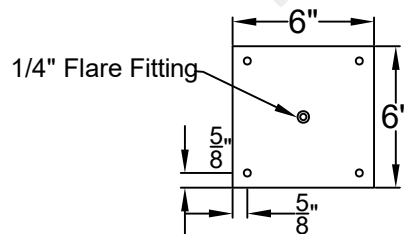
Shortest Height  $39\frac{1}{4}"$



Front View



Side View



Ceiling Mount



St. James  
LIGHTING

SCALE: N.T.S.	DRAFT: Y. McCullough
FILE: BIRG	APP'D: J. Ragan
JOB: X	DATE: 11/15/23

Lights are handcrafted.  
Dimensions may vary by 1/4"

B.T.U. Rating  
Natural Gas: 5460 B.T.U.  
Propane: 4160 B.T.U.