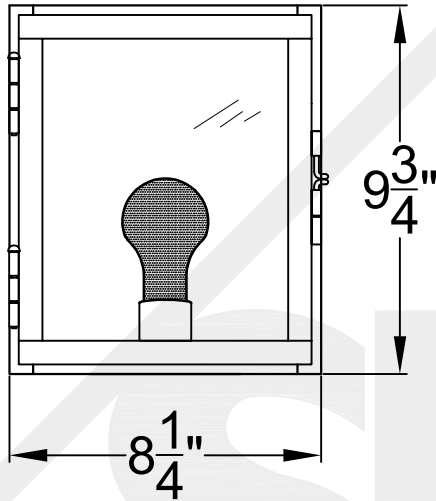
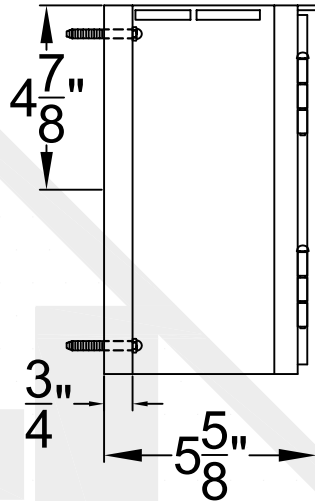


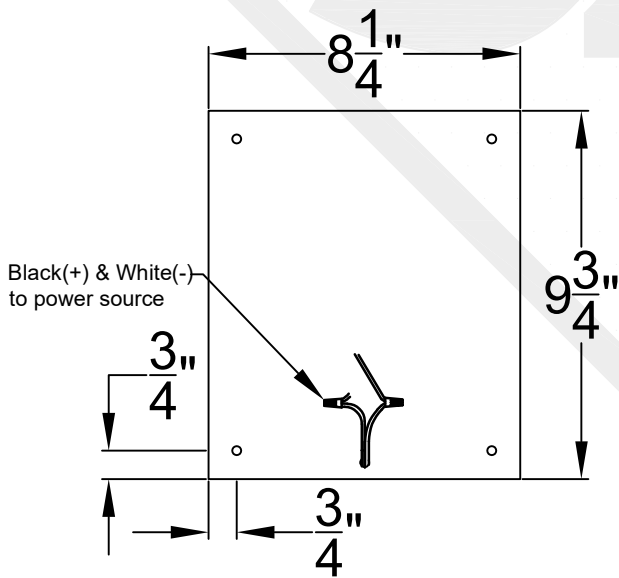
GEMINI MINI COPPER WALL BRACKET



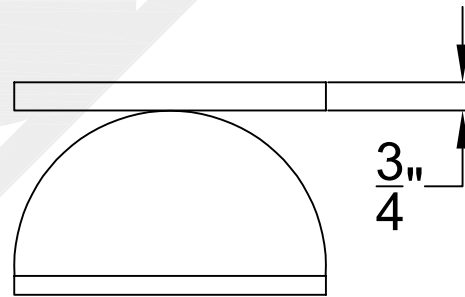
Front View



Side View



Backplate



Top View



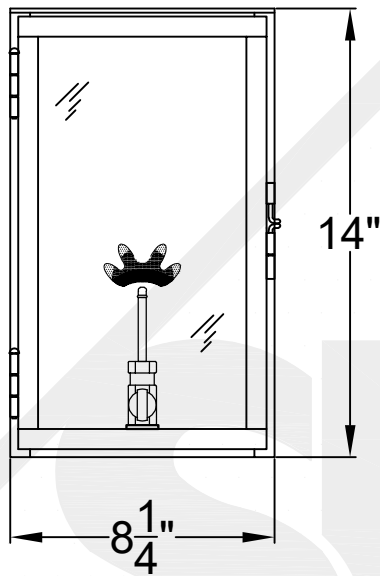
St. James
LIGHTING

SCALE: N.T.S. DRAFT: T. Herring
FILE: GEMMINI APP'D: J. Ragan
JOB: X DATE: 8-16-2023

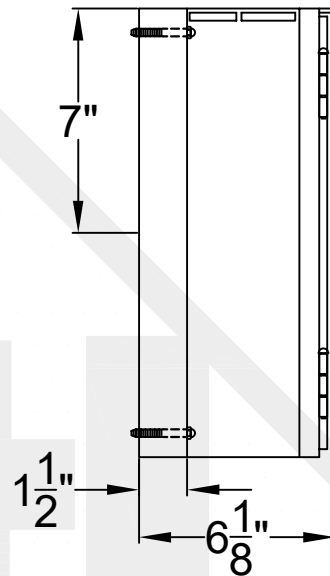
Lights are handcrafted.
Dimensions may vary by 1/4"

B.T.U. Rating
Natural Gas: 2730 B.T.U.
Propane: 2080 B.T.U.

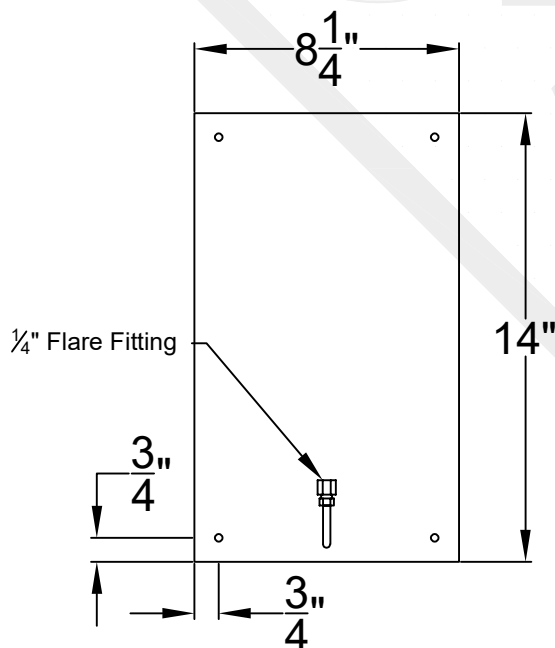
GEMINI SMALL COPPER WALL BRACKET



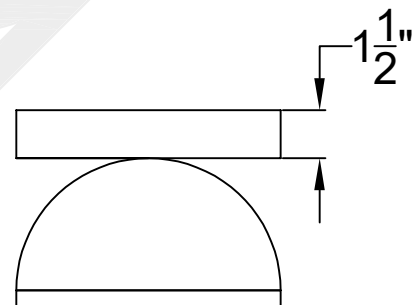
Front View



Side View



Backplate



Top View



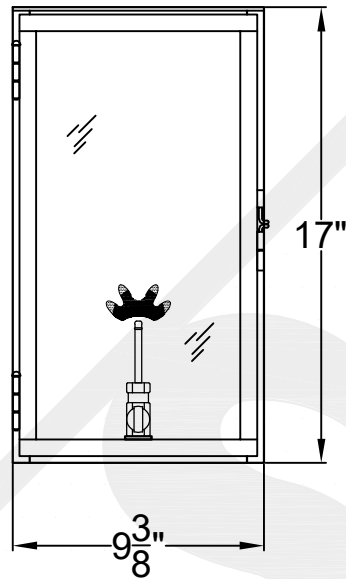
St. James
LIGHTING

SCALE: N.T.S. DRAFT: T. Herring
FILE: GEMS APP'D: J. Ragan
JOB: X DATE: 4-27-2023

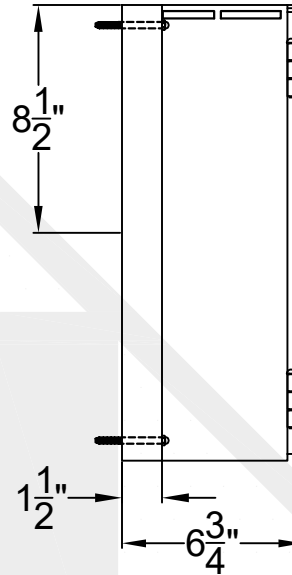
Lights are handcrafted.
Dimensions may vary by 1/4"

B.T.U. Rating
Natural Gas: 2730 B.T.U.
Propane: 2080 B.T.U.

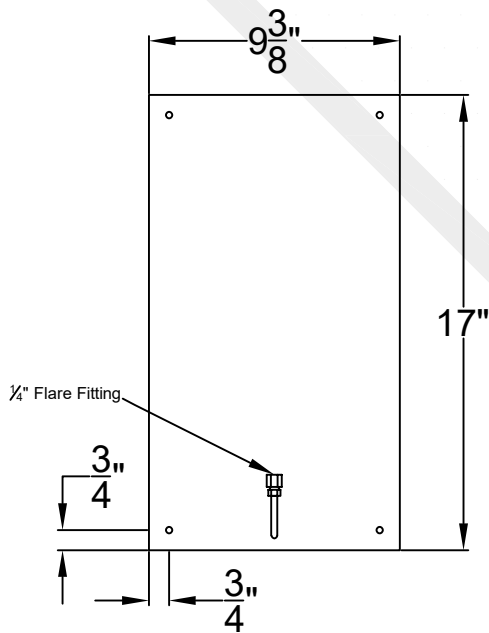
GEMINI MEDIUM COPPER WALL BRACKET



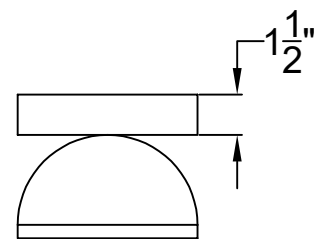
Front View



Side View



Backplate



Top View



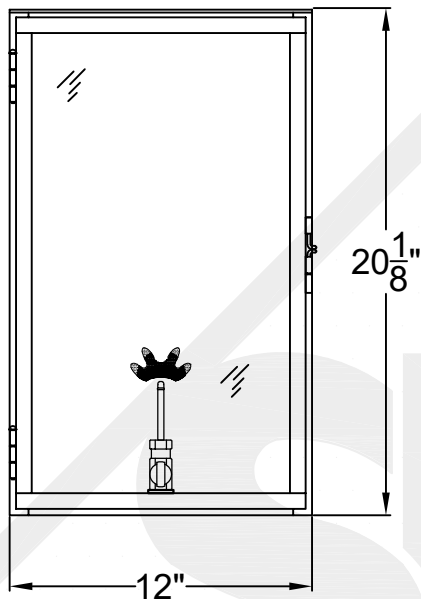
St. James
LIGHTING

SCALE: N.T.S.	DRAFT: T. Herring
FILE: GEMM	APP'D: J. Ragan
JOB: X	DATE: 4-27-2023

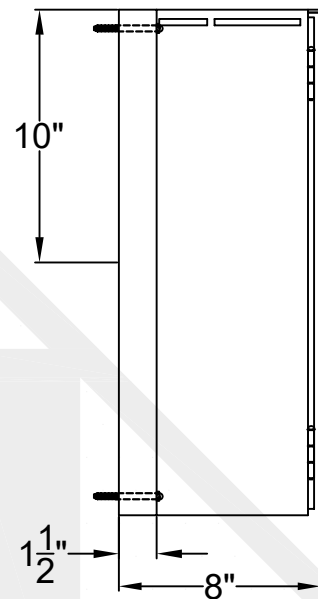
Lights are handcrafted.
Dimensions may vary by 1/4"

B.T.U. Rating
Natural Gas: 2730 B.T.U.
Propane: 2080 B.T.U.

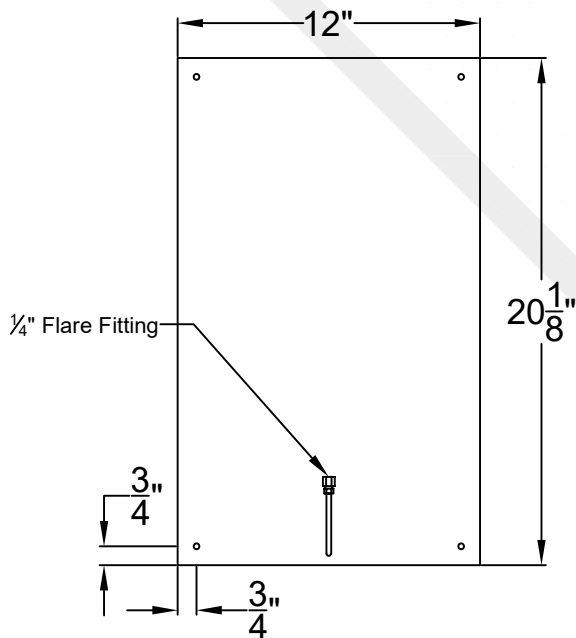
GEMINI LARGE COPPER WALL BRACKET



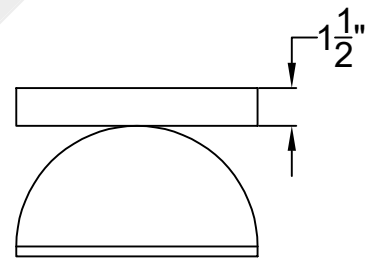
Front View



Side View



Backplate



Top View



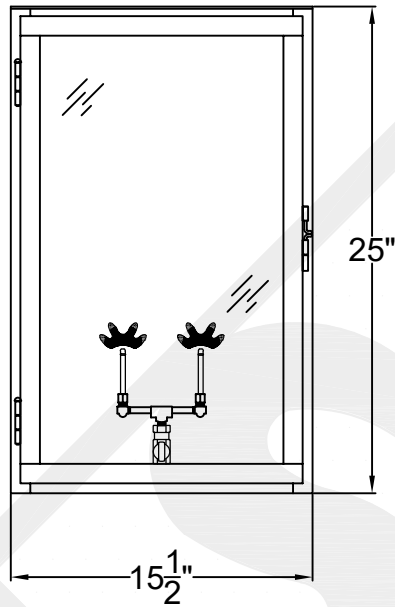
St. James
LIGHTING

SCALE: N.T.S.	DRAFT: T. Herring
FILE: GEML	APP'D: J. Ragan
JOB: X	DATE: 4-27-2023

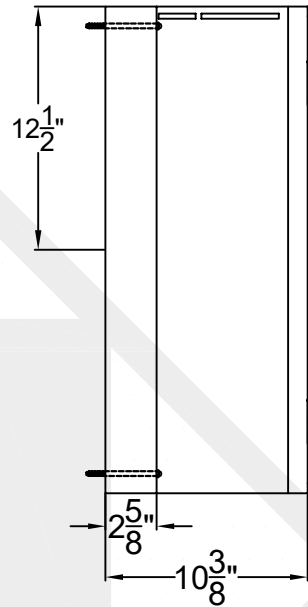
Lights are handcrafted.
Dimensions may vary by 1/4"

B.T.U. Rating
Natural Gas: 2730 B.T.U.
Propane: 2080 B.T.U.

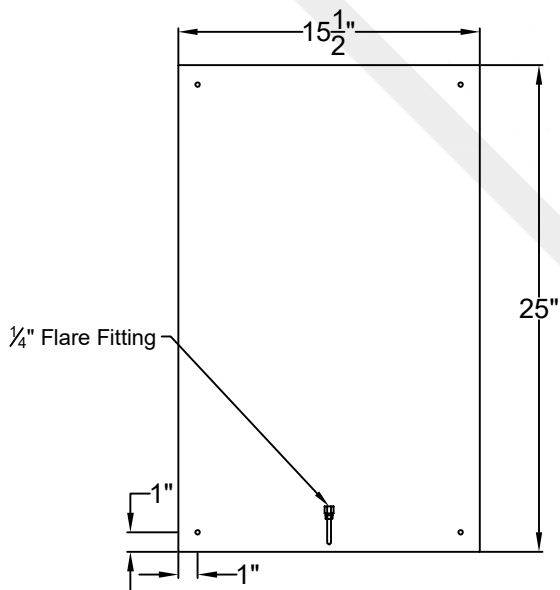
GEMINI GRANDE COPPER WALL BRACKET



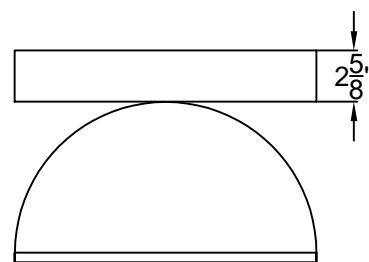
Front View



Side View



Backplate



Top View



St. James
LIGHTING

SCALE: N.T.S.	DRAFT: T. Herring
FILE: GEMG	APP'D: J. Ragan
JOB: X	DATE: 4-27-2023

Lights are handcrafted.
Dimensions may vary by 1/4"

B.T.U. Rating
Natural Gas: 2730 B.T.U.
Propane: 2080 B.T.U.