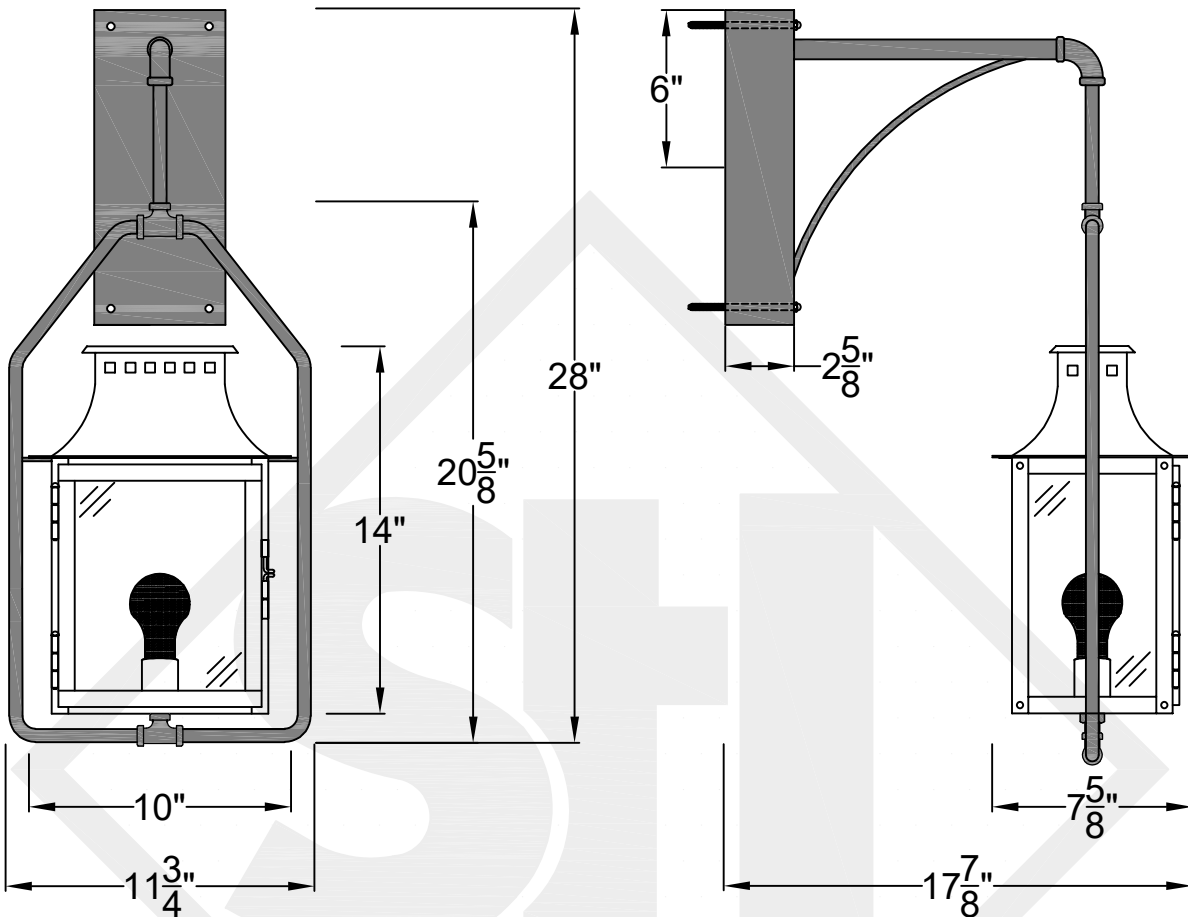


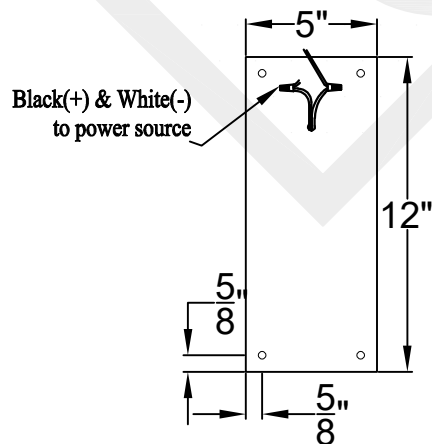
# ASPEN MINI WALL MOUNT FULL YOKE

Shortest Height 24  $\frac{1}{2}$ "



Front View

Side View



Backplate

Mini not available in gas



St. James  
LIGHTING

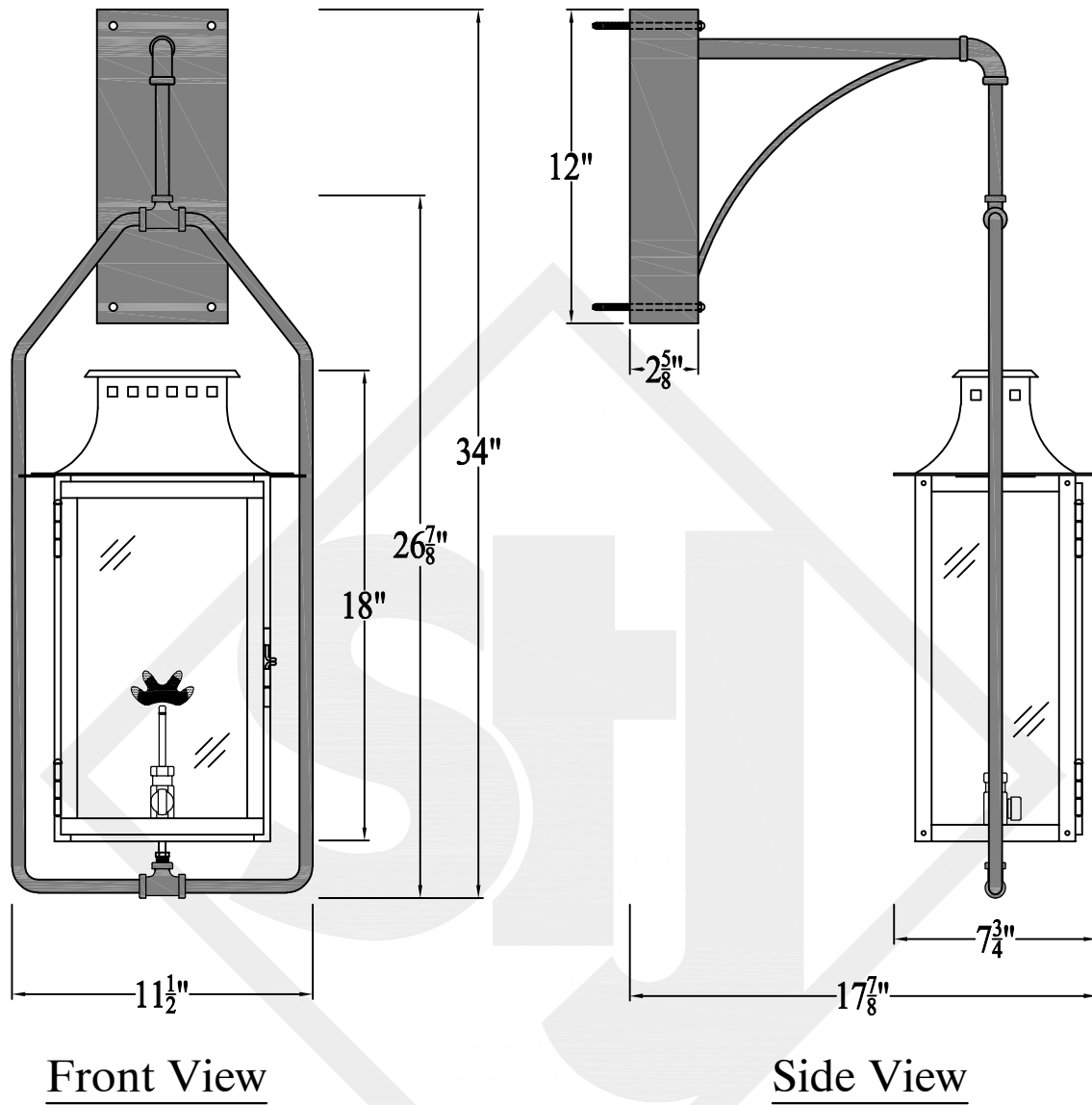
SCALE: N.T.S.	DRAFT: J. Grippo
FILE: ASPMINI	APP'D: J. Ragan
JOB: X	DATE: 11-9-2023

Lights are handcrafted.  
Dimensions may vary by 1/4"

UL Certified  
Candelabra- Max 60 Watt Bulb  
Edison- Max 660 Watt Bulb

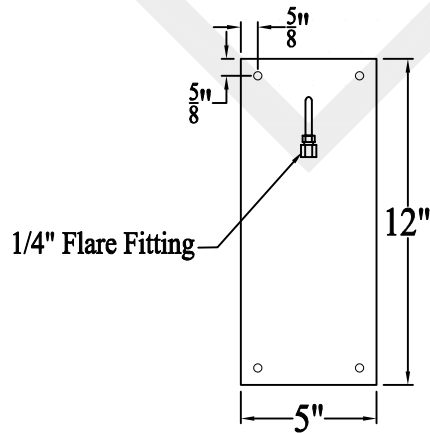
# ASPEN SMALL WALL MOUNT FULL YOKE

Shortest Height 30 <sup>3</sup>/<sub>4</sub>"



Front View

Side View



Backplate



**St. James  
LIGHTING**

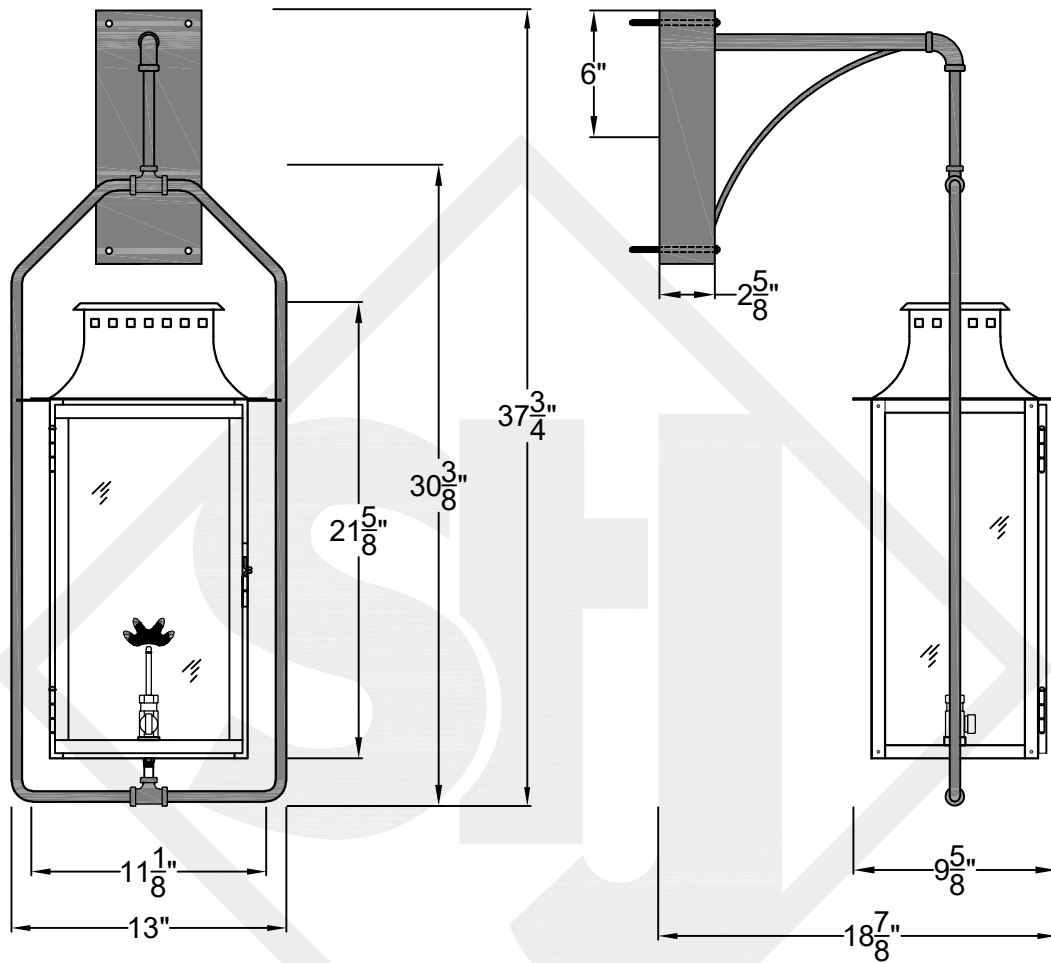
SCALE: N.T.S.	DRAFT: J. Grippo
FILE: ASPS	APP'D: J. Ragan
JOB: X	DATE: 11/8/23

Lights are handcrafted.  
Dimensions may vary by 1/4"

B.T.U. Rating  
Natural Gas: 2730 B.T.U.  
Propane: 2080 B.T.U.

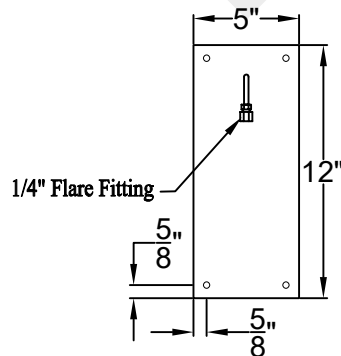
# ASPEN MEDIUM WALL MOUNT FULL YOKE

Shortest Height  $34\frac{1}{4}"$



Front View

Side View



Backplate



St. James  
LIGHTING

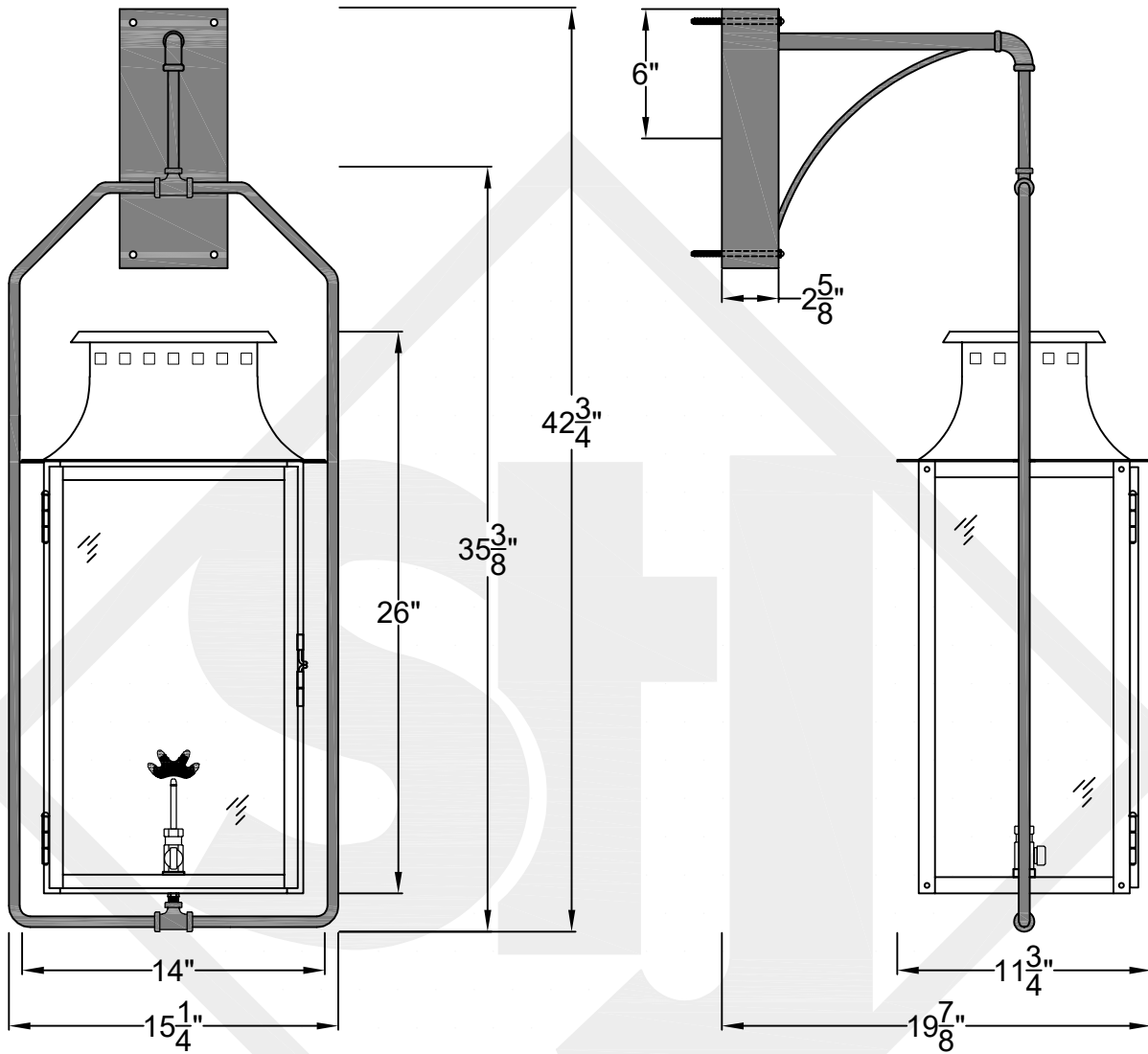
SCALE: N.T.S.	DRAFT: T. Herring
FILE: ASPM	APP'D: J. Ragan
JOB: X	DATE: 4-10-2023

Lights are handcrafted.  
Dimensions may vary by 1/4"

B.T.U. Rating  
Natural Gas: 2730 B.T.U.  
Propane: 2080 B.T.U.

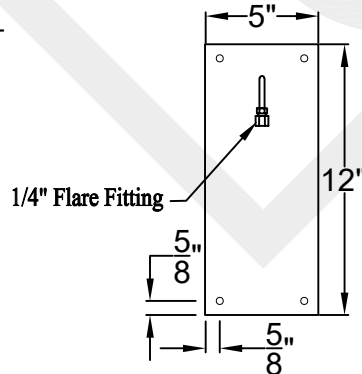
# ASPEN LARGE WALL MOUNT FULL YOKE

Shortest Height  $39\frac{1}{4}"$



Front View

Side View



Backplate



St. James  
LIGHTING

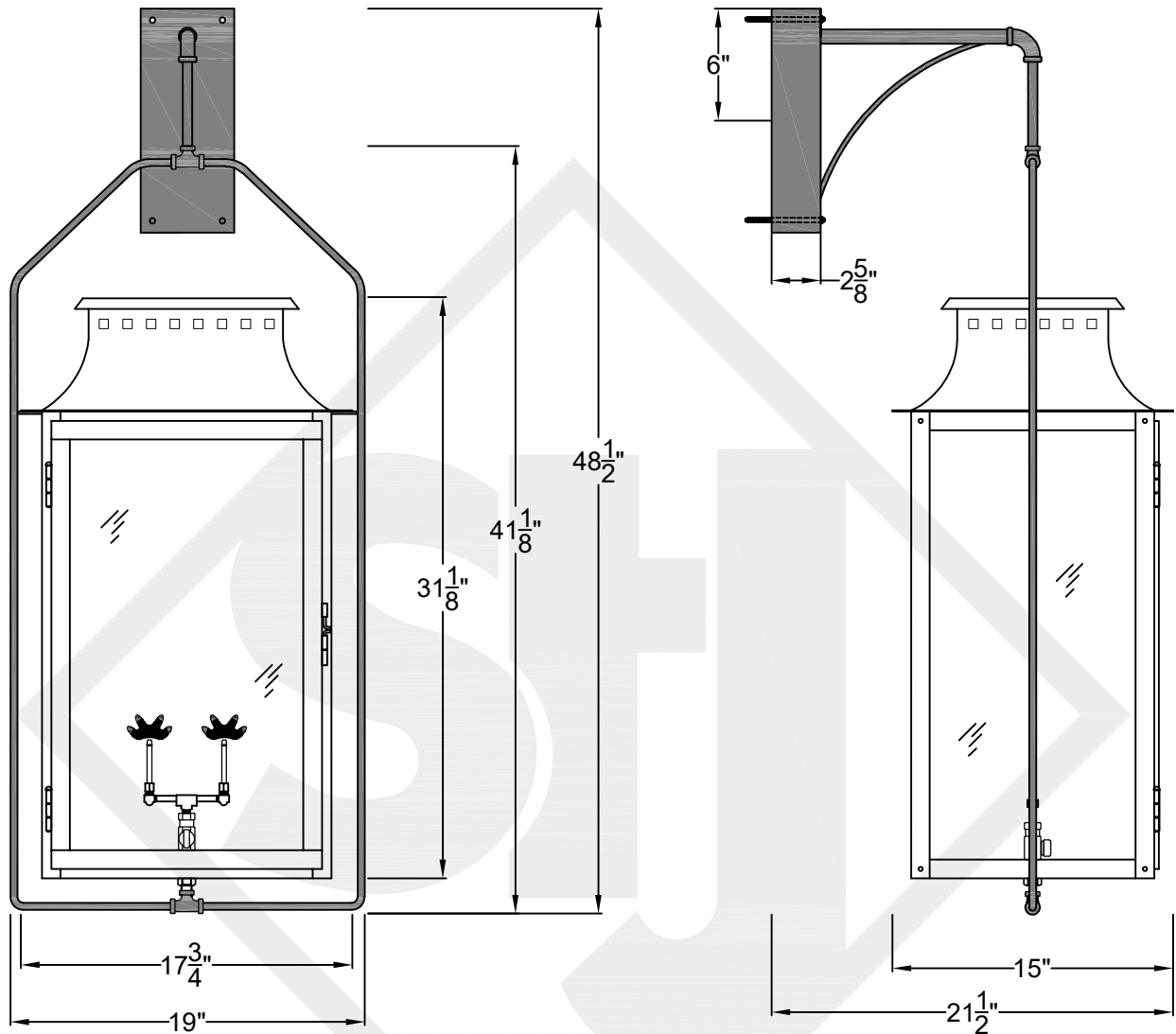
SCALE: N.T.S.	DRAFT: T. Herring
FILE: ASPL	APP'D: J. Ragan
JOB: X	DATE: 4-10-2023

Lights are handcrafted.  
Dimensions may vary by 1/4"

B.T.U. Rating  
Natural Gas: 2730 B.T.U.  
Propane: 2080 B.T.U.

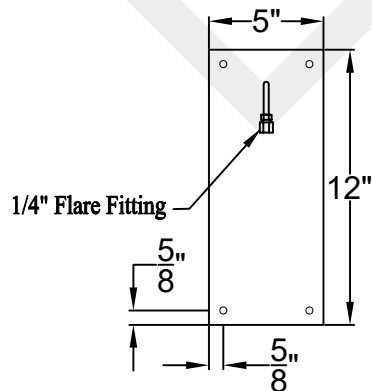
# ASPEN GRANDE WALL MOUNT FULL YOKE

Shortest Height 45"



Front View

Side View



Backplate



St. James  
LIGHTING

SCALE: N.T.S.	DRAFT: T. Herring
FILE: ASPG	APP'D: J. Ragan
JOB: X	DATE: 8-16-2023

Lights are handcrafted.  
Dimensions may vary by 1/4"

B.T.U. Rating  
Natural Gas: 5460 B.T.U.  
Propane: 4160 B.T.U.