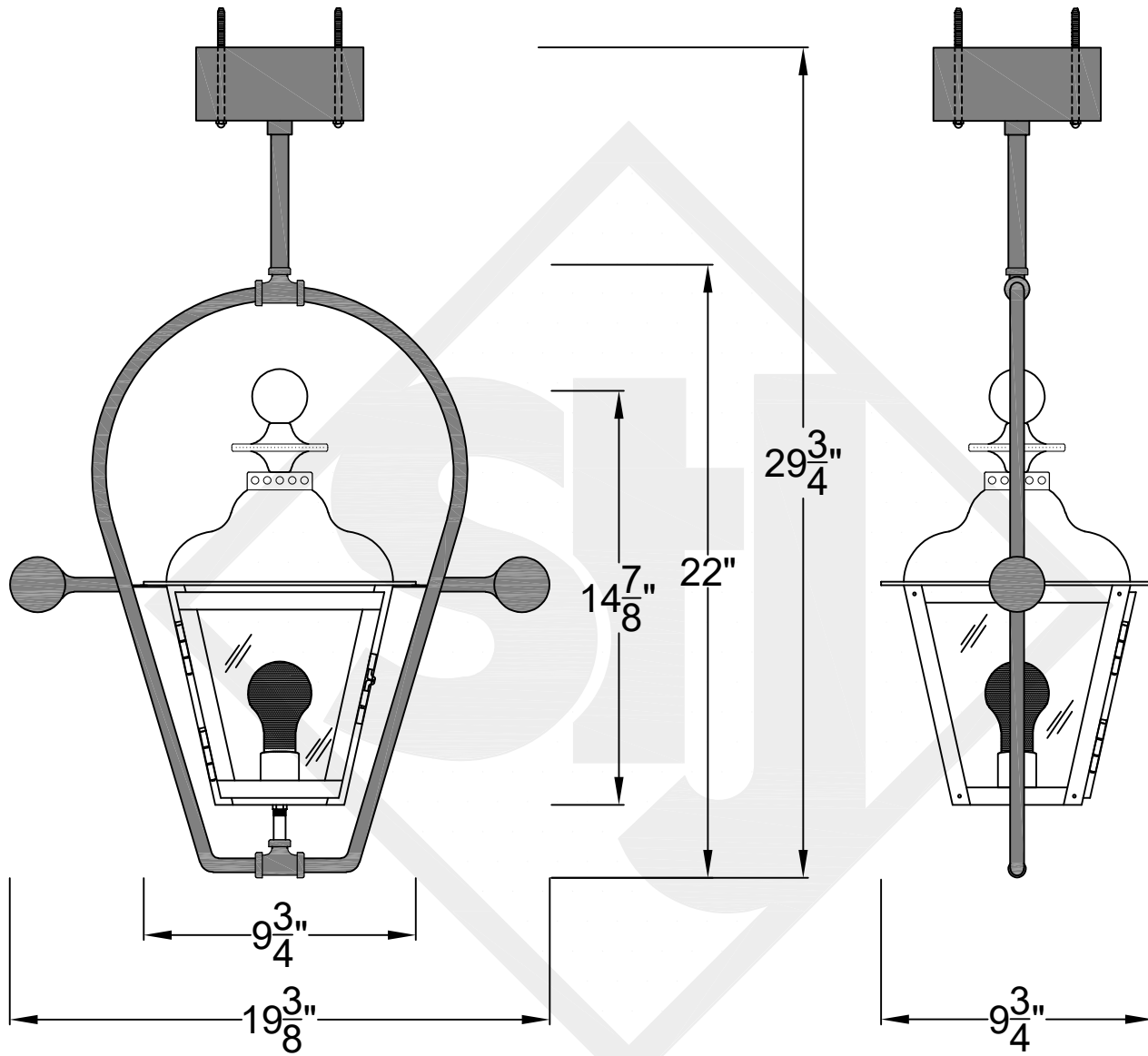


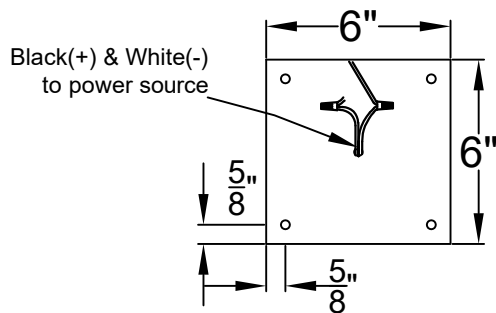
BRUNSWICK MINI CEILING MOUNT FULL YOKE

Shortest Height 26"



Front View

Side View



Ceiling Mount



St. James
LIGHTING

SCALE: N.T.S.	DRAFT: Y. McCullough
FILE: BRUMINI	APP'D: J. Ragan
JOB: X	DATE: 11/16/23

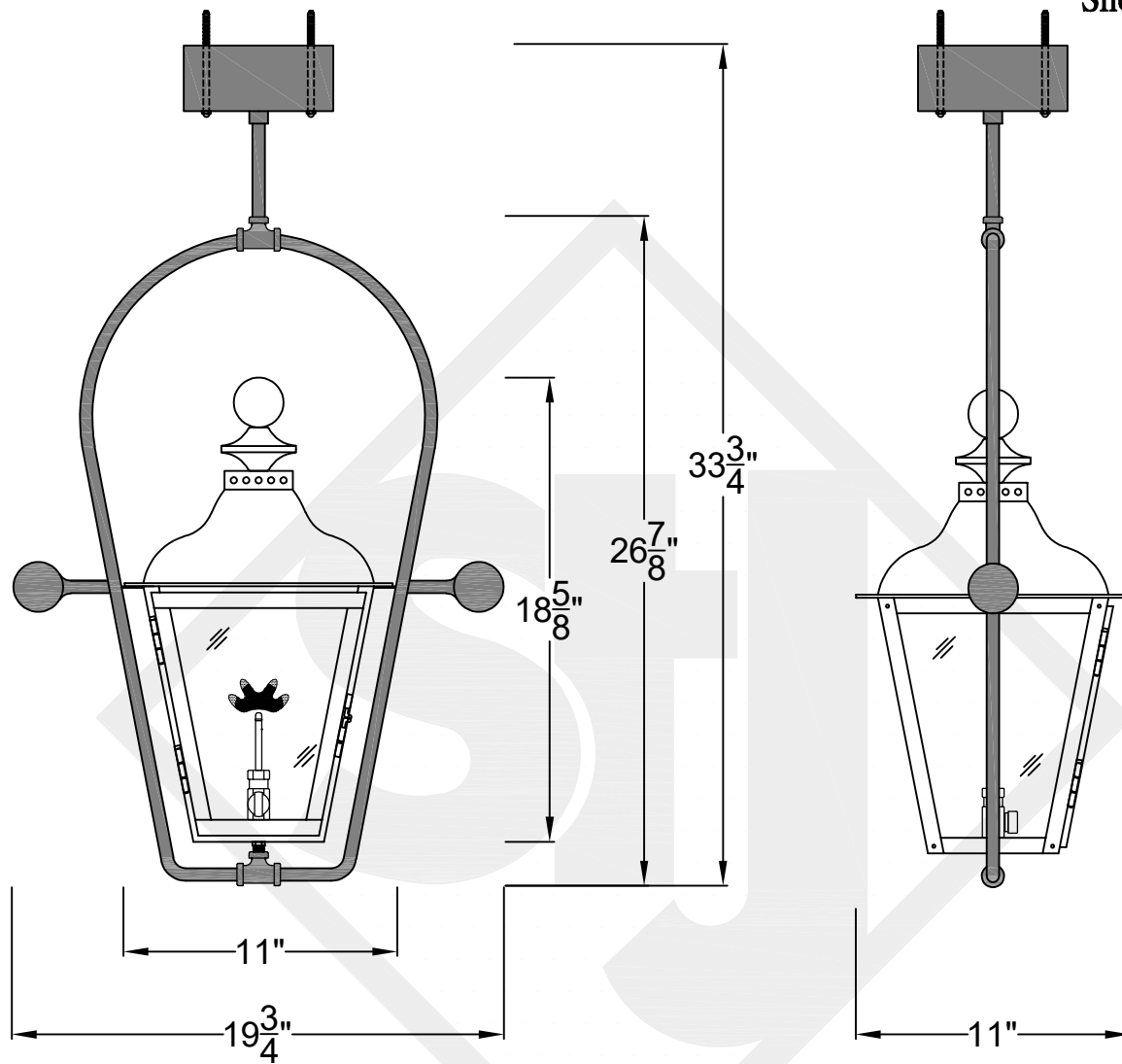
Lights are handcrafted.
Dimensions may vary by 1/4"

UL Certified
Candelabra- Max 60 Watt Bulb
Edison- Max 660 Watt Bulb

Mini not Available in Gas

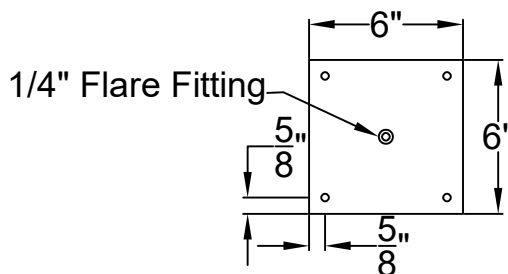
BRUNSWICK SMALL CEILING MOUNT FULL YOKE

Shortest Height 31"



Front View

Side View



Ceiling Mount



St. James
LIGHTING

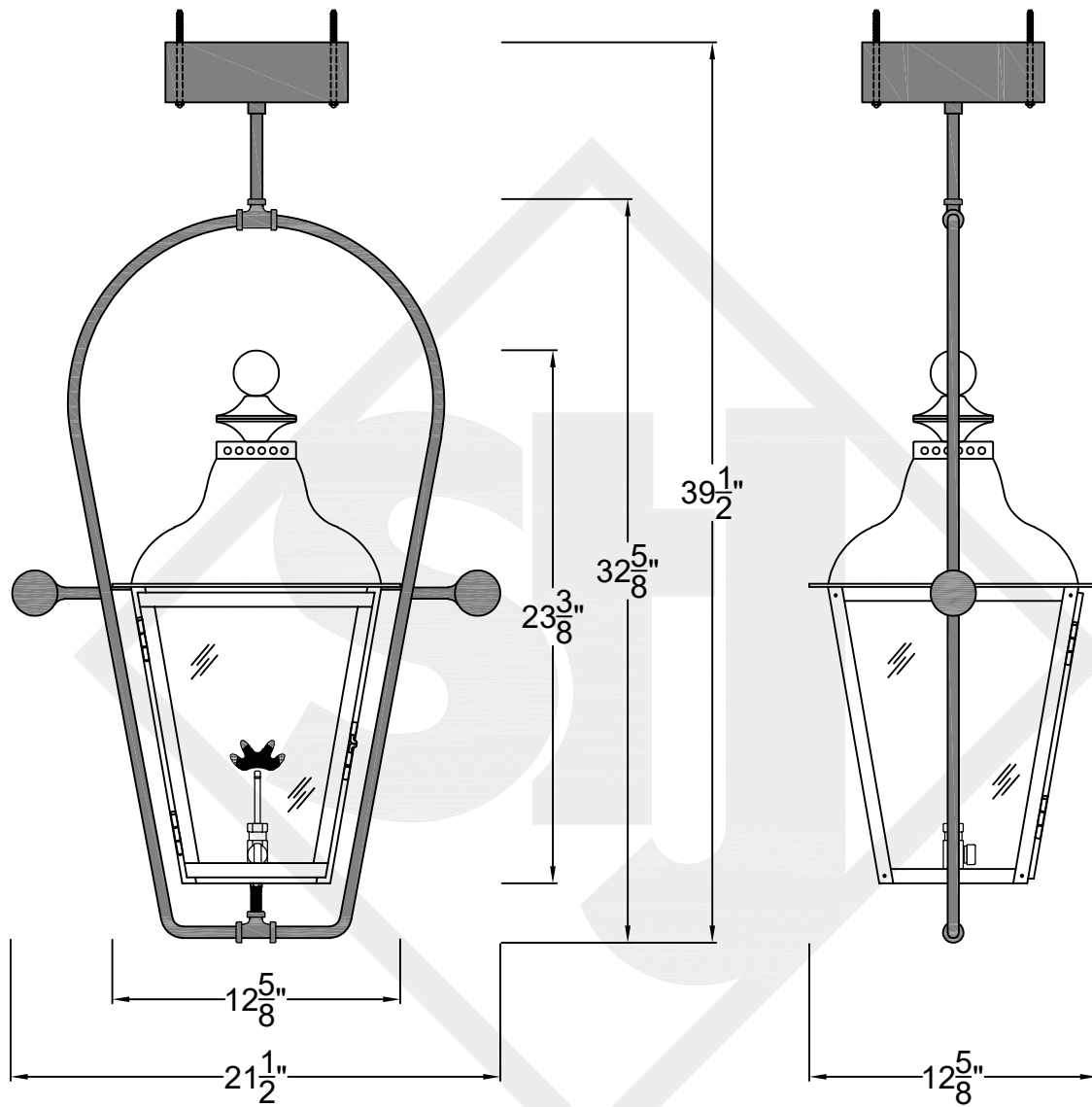
SCALE: N.T.S.	DRAFT: Y. McCullough
FILE: BRUS	APP'D: J. Ragan
JOB: X	DATE: 11/16/23

Lights are handcrafted.
Dimensions may vary by 1/4"

B.T.U. Rating
Natural Gas: 2730 B.T.U.
Propane: 2080 B.T.U.

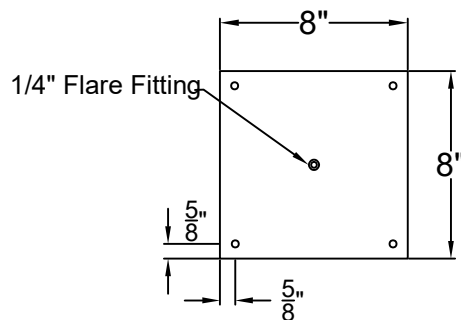
BRUNSWICK MEDIUM CEILING MOUNT FULL YOKE

Shortest Height $36\frac{3}{4}$ "



Front View

Side View



Ceiling Mount



St. James
LIGHTING

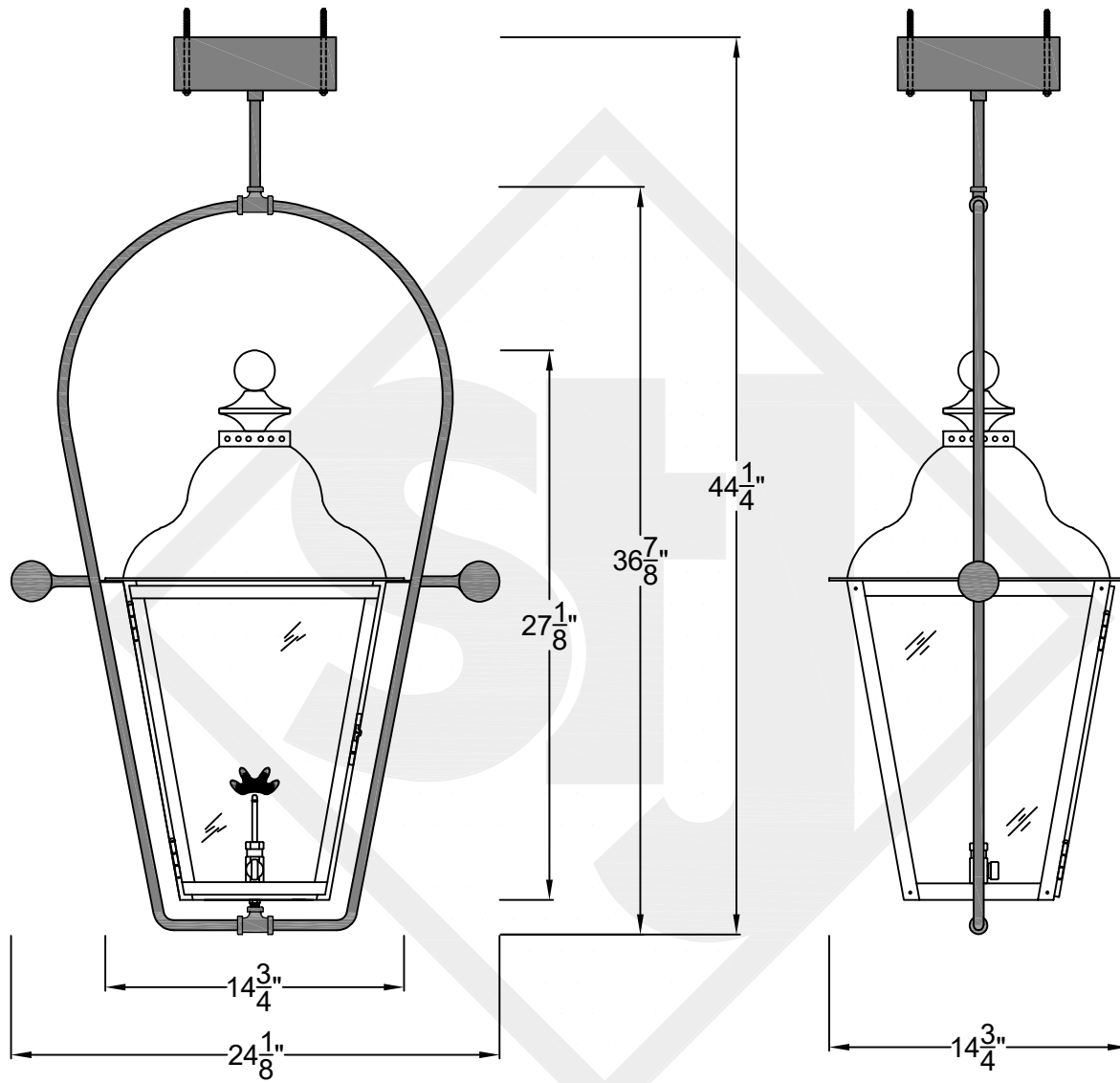
SCALE: N.T.S.	DRAFT: Y. McCullough
FILE: BRUM	APP'D: J. Ragan
JOB: X	DATE: 11/18/23

Lights are handcrafted.
Dimensions may vary by 1/4"

B.T.U. Rating
Natural Gas: 2730 B.T.U.
Propane: 2080 B.T.U.

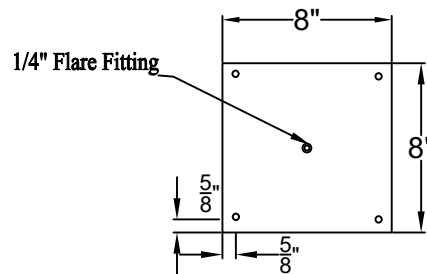
BRUNSWICK LARGE CEILING MOUNT FULL YOKE

Shortest Height 41"



Front View

Side View



Ceiling Mount



St. James
LIGHTING

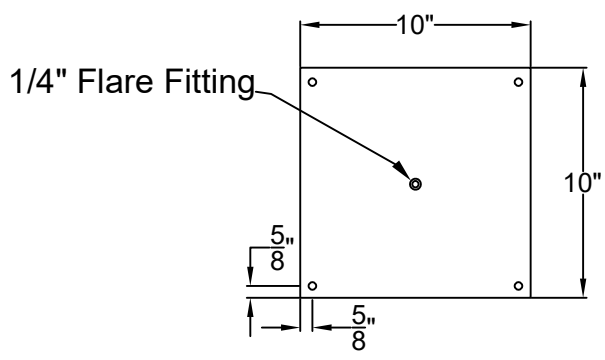
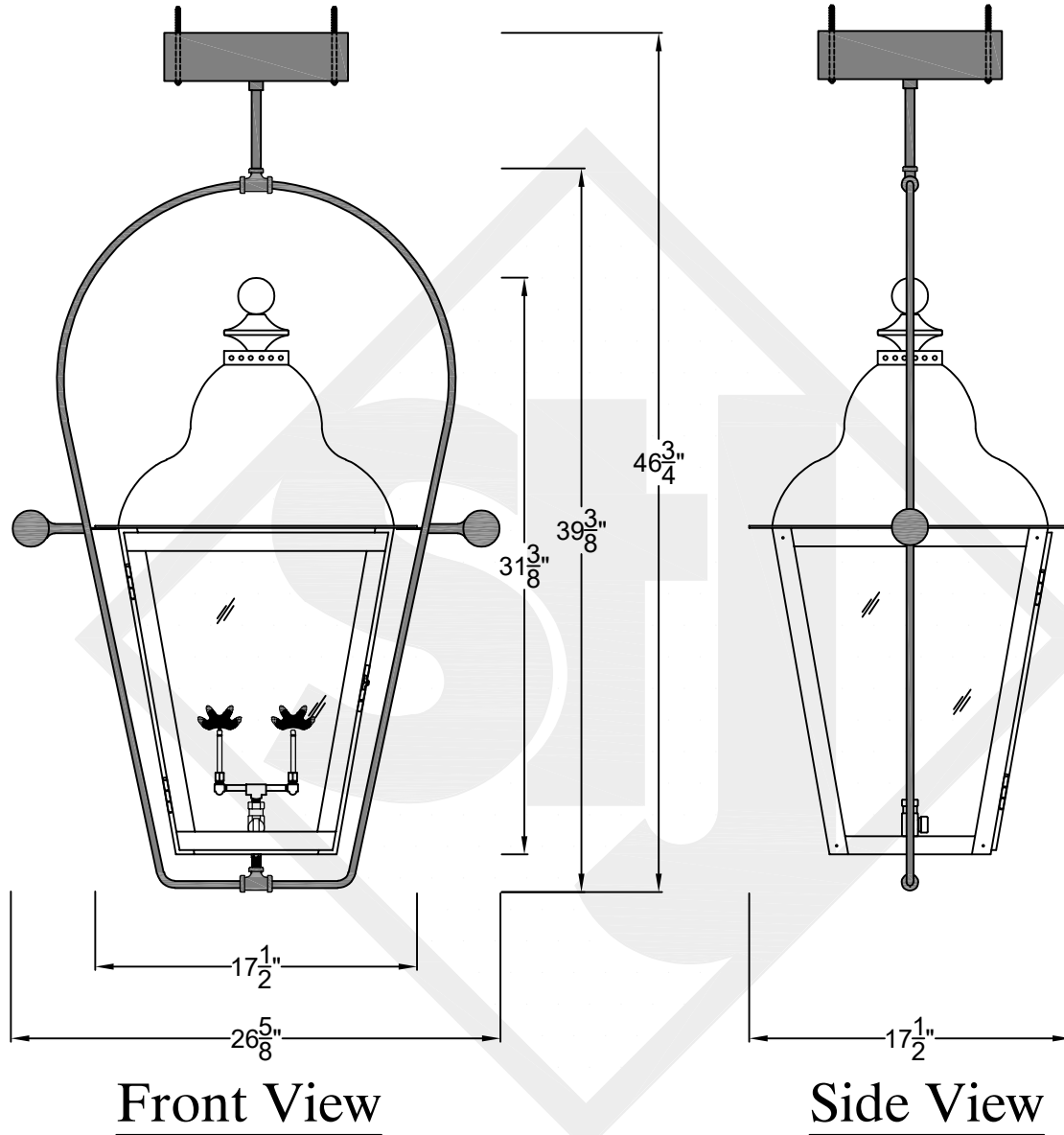
SCALE: N.T.S.	DRAFT: Y. McCullough
FILE: BRUL	APP'D: J. Ragan
JOB: X	DATE: 11/18/23

Lights are handcrafted.
Dimensions may vary by 1/4"

B.T.U. Rating
Natural Gas: 2730 B.T.U.
Propane: 2080 B.T.U.

BRUNSWICK GRANDE CEILING MOUNT FULL YOKE

Shortest Height 43 1/2"



Ceiling Mount



**St. James
LIGHTING**

SCALE: N.T.S.	DRAFT: Y. McCullough
FILE: BRUG	APP'D: J. Ragan
JOB: X	DATE: 11/18/23

Lights are handcrafted.
Dimensions may vary by 1/4"

B.T.U. Rating
Natural Gas: 5460 B.T.U.
Propane: 4160 B.T.U.