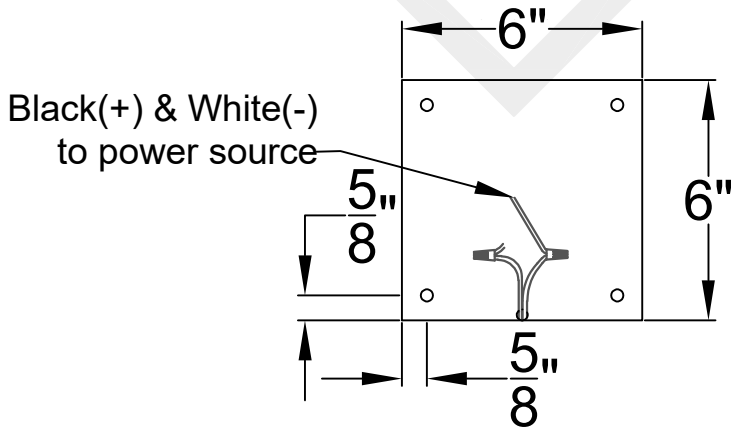
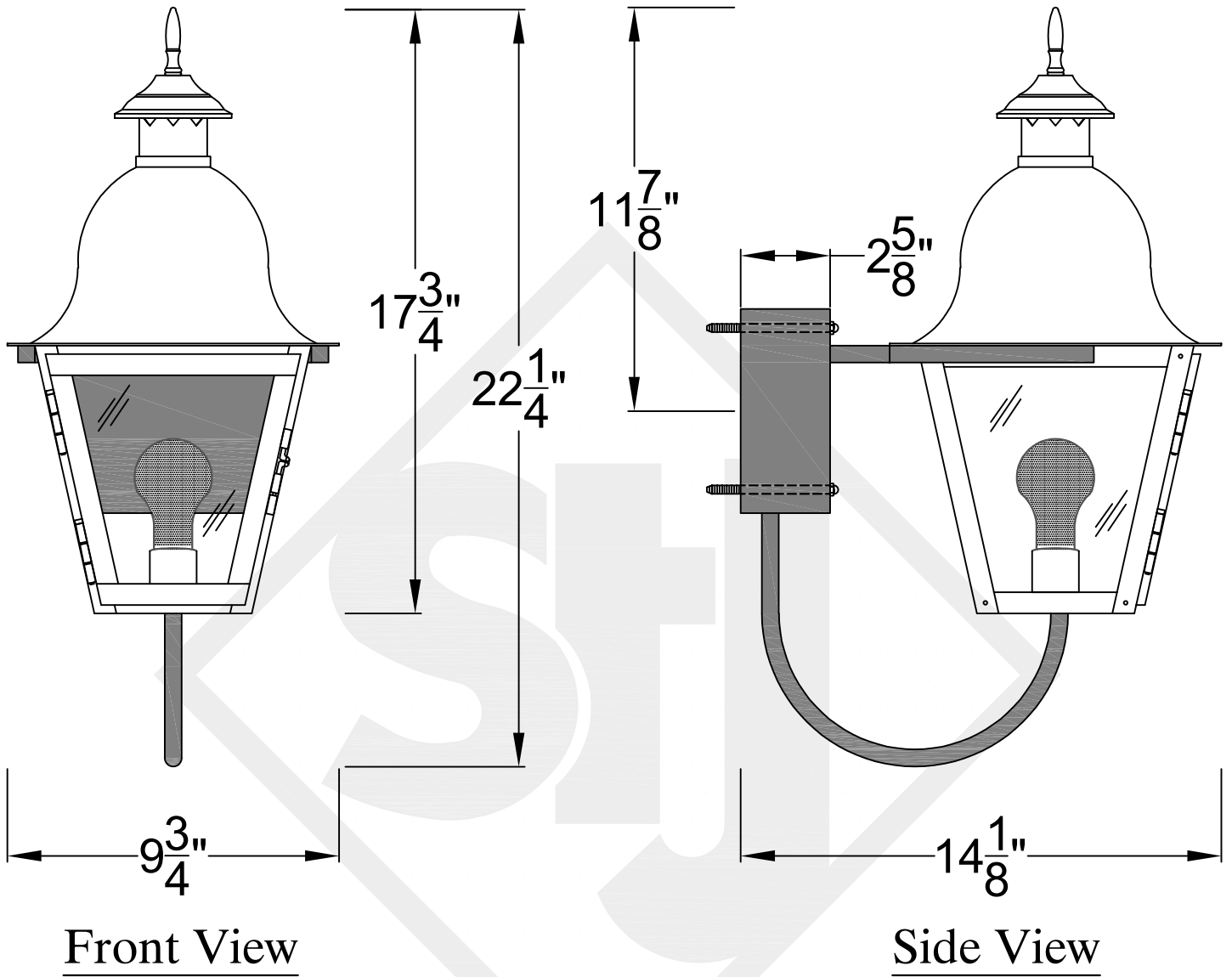



QUEBEC MINI STEEL WALL MOUNT



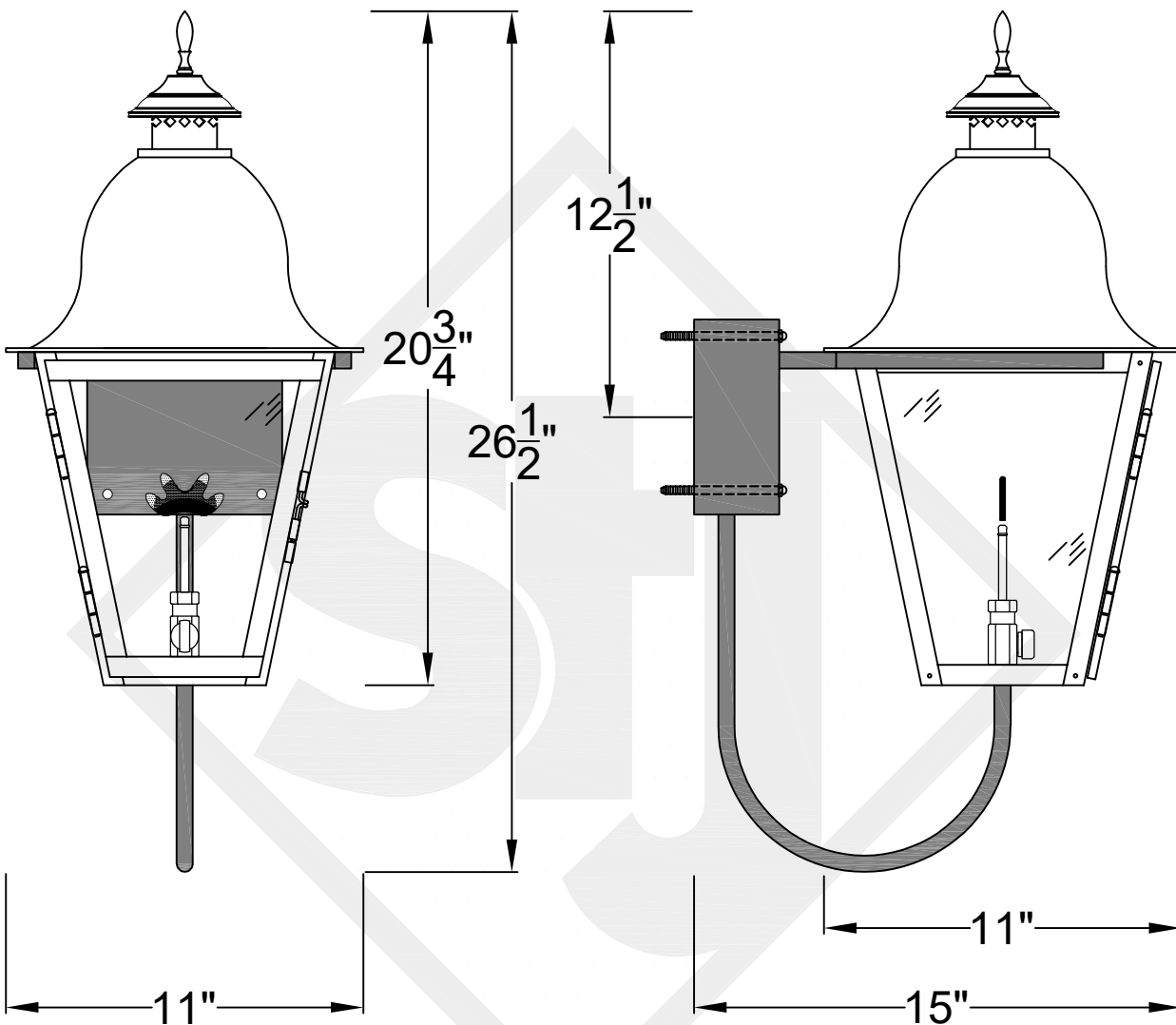
 St. James LIGHTING	
SCALE: N.T.S.	DRAFT: Y. McCullough
FILE: QUEMINI	APP'D: J. Ragan
JOB: X	DATE: 12/5/23

Lights are handcrafted.
Dimensions may vary by 1/4"

Mini not Available in Gas
UL Certified
Candelabra- Max 60 Watt Bulb
Edison- Max 660 Watt Bulb

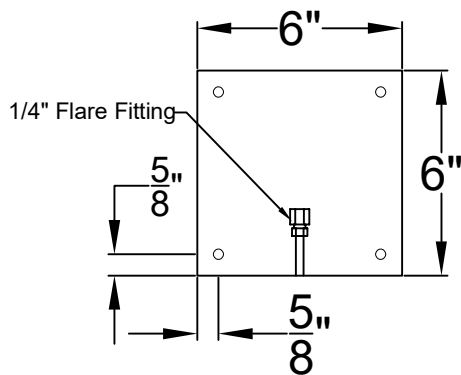
QUEBEC SMALL STEEL WALL MOUNT

Available w/ Solid
or Glass Top



Front View

Side View



Backplate



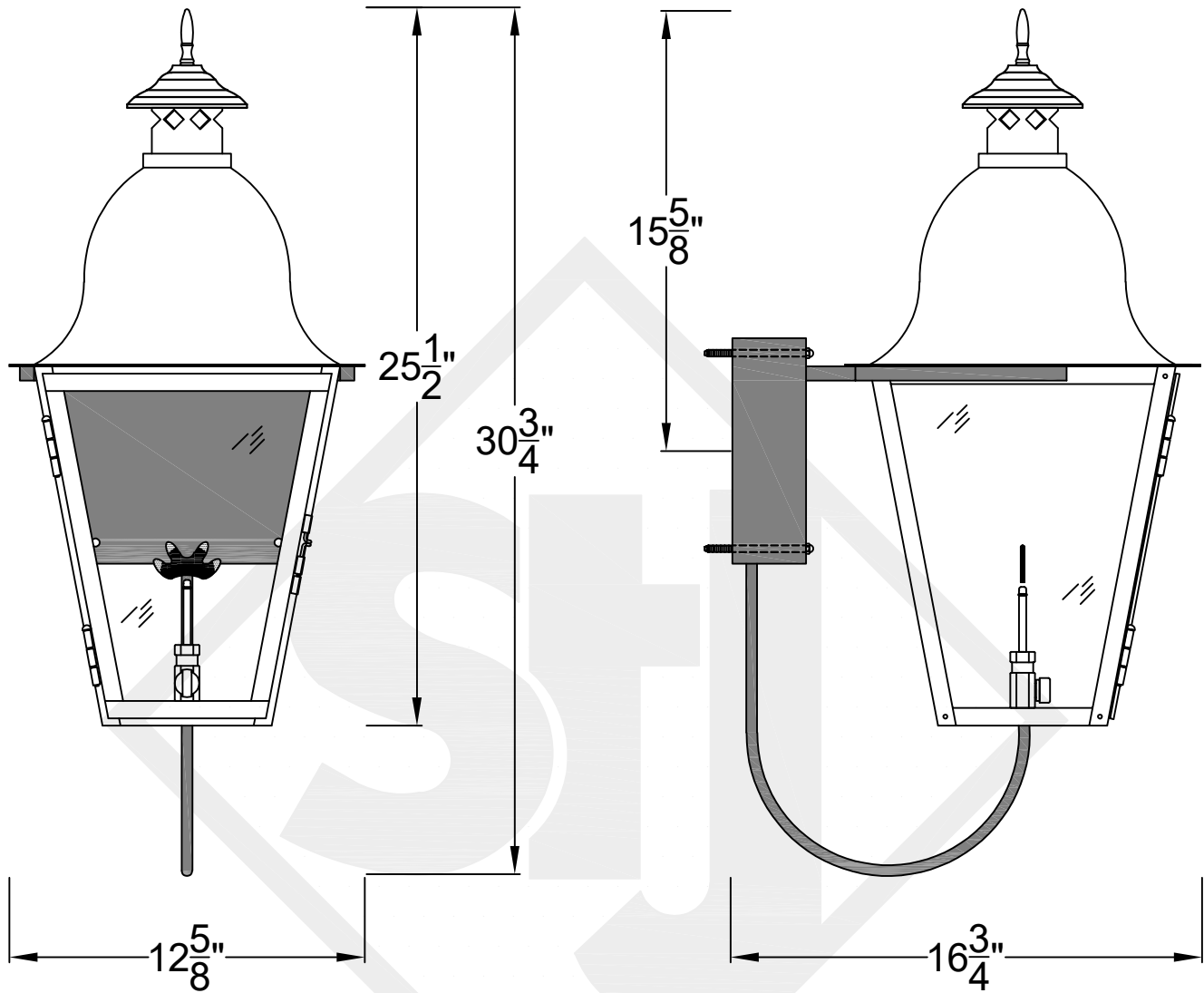
St. James
LIGHTING

SCALE: N.T.S.	DRAFT: Y. McCullough
FILE: QUES	APP'D: J. Ragan
JOB: X	DATE: 12/5/23

Lights are handcrafted.
Dimensions may vary by 1/4"

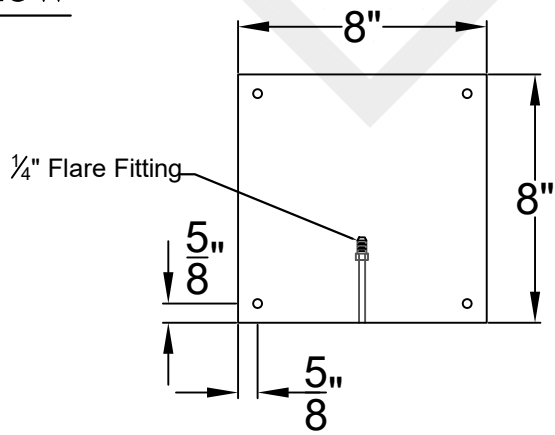
B.T.U. Rating
Natural Gas: 2730 B.T.U.
Propane: 2080 B.T.U.

QUEBEC MEDIUM STEEL WALL MOUNT



Front View

Side View



Backplate



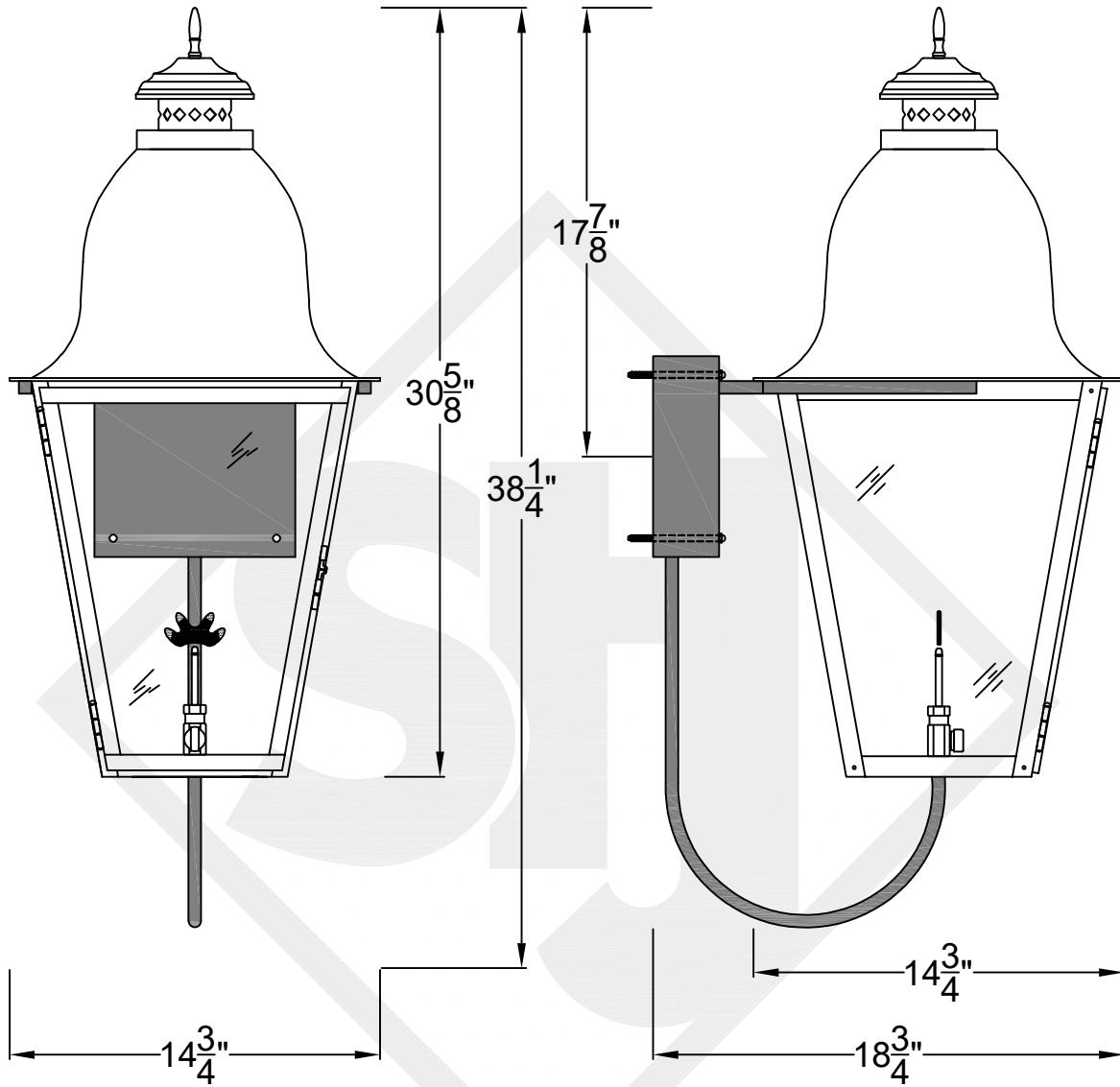
St. James
LIGHTING

SCALE: N.T.S.	DRAFT: Y. McCullough
FILE: QUEM	APP'D: J. Ragan
JOB: X	DATE: 12/5/23

Lights are handcrafted.
Dimensions may vary by 1/4"

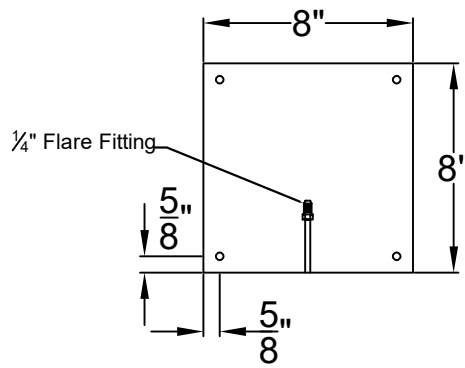
B.T.U. Rating
Natural Gas: 2730 B.T.U.
Propane: 2080 B.T.U.

QUEBEC LARGE STEEL WALL MOUNT



Front View

Side View



Backplate



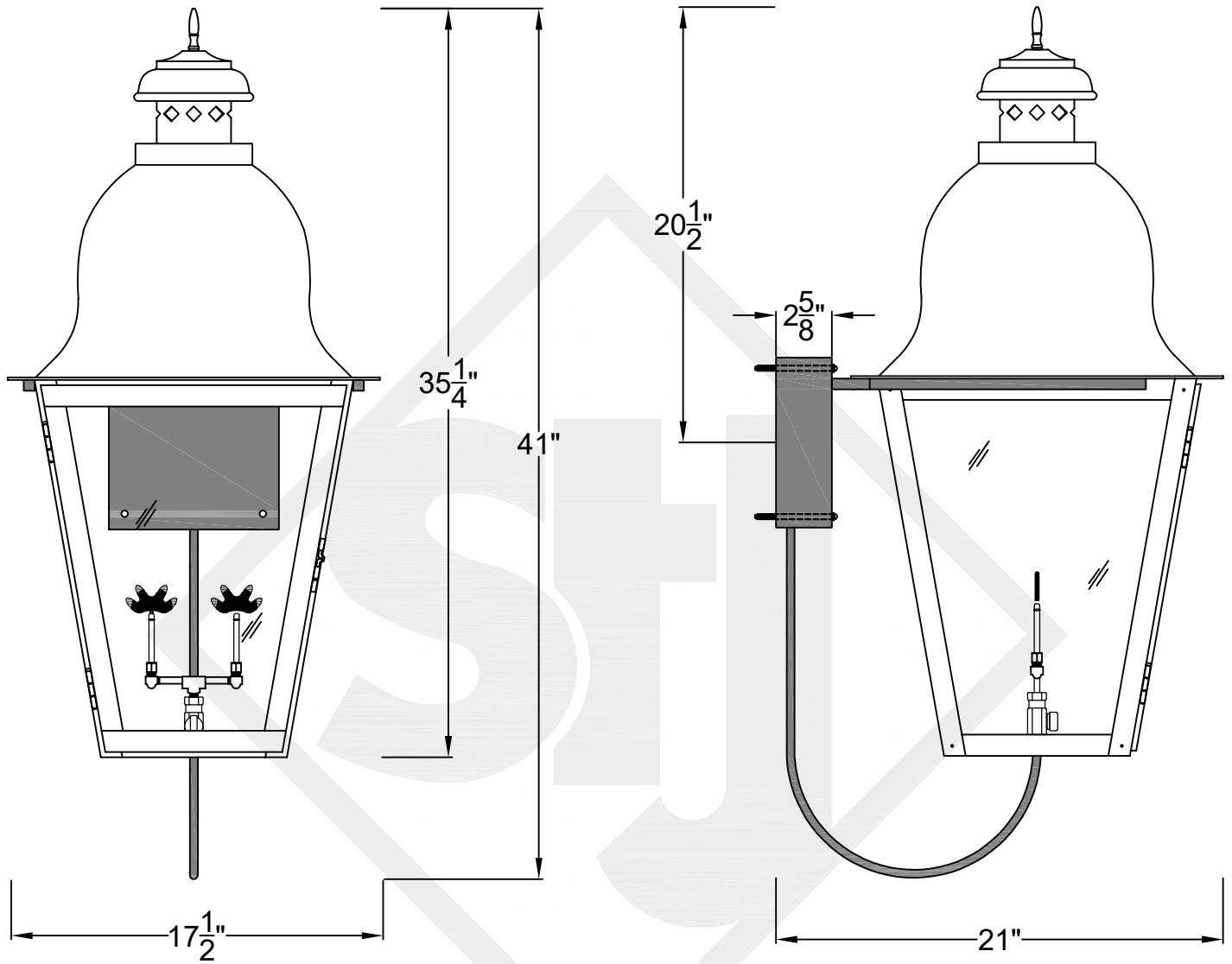
St. James
LIGHTING

SCALE: N.T.S.	DRAFT: Y. McCullough
FILE: QUEL	APP'D: J. Ragan
JOB: X	DATE: 12/5/23

Lights are handcrafted.
Dimensions may vary by 1/4"

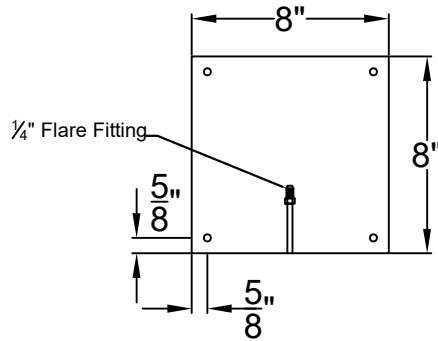
B.T.U. Rating
Natural Gas: 2730 B.T.U.
Propane: 2080 B.T.U.

QUEBEC GRANDE STEEL WALL MOUNT



Front View

Side View



Backplate



St. James
LIGHTING

SCALE: N.T.S.	DRAFT: Y. McCullough
FILE: QUEG	APP'D: J. Ragan
JOB: X	DATE: 12/5/23

Lights are handcrafted.
Dimensions may vary by 1/4"

B.T.U. Rating
Natural Gas: 5460 B.T.U.
Propane: 4160 B.T.U.