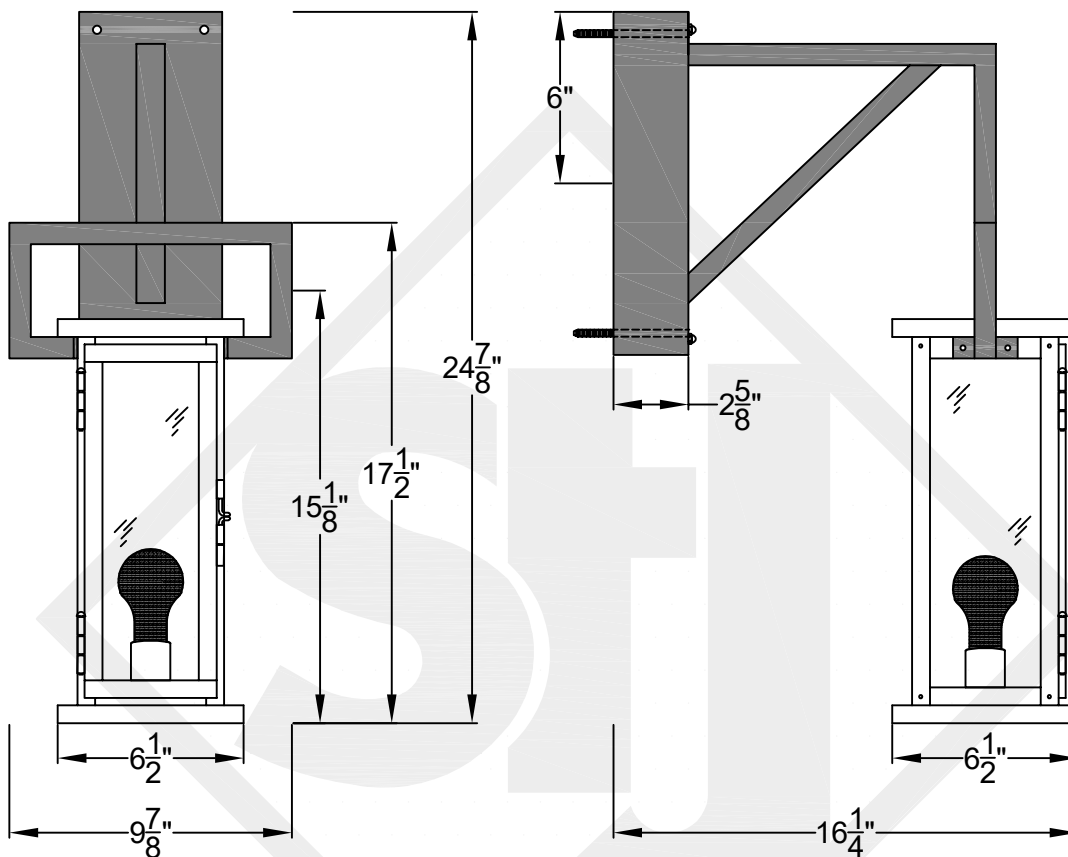


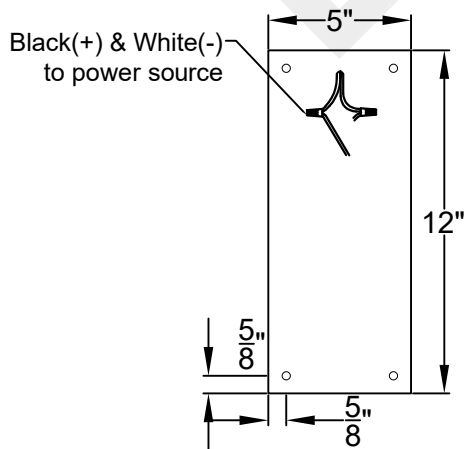
TRINITY MINI WALL MOUNT HALF YOKE

Shortest Height $20\frac{3}{8}"$



Front View

Side View



Backplate



St. James
LIGHTING

SCALE: N.T.S.	DRAFT: T. Herring
FILE: TRIMINI	APP'D: J. Ragan
JOB: X	DATE: 8-28-2023

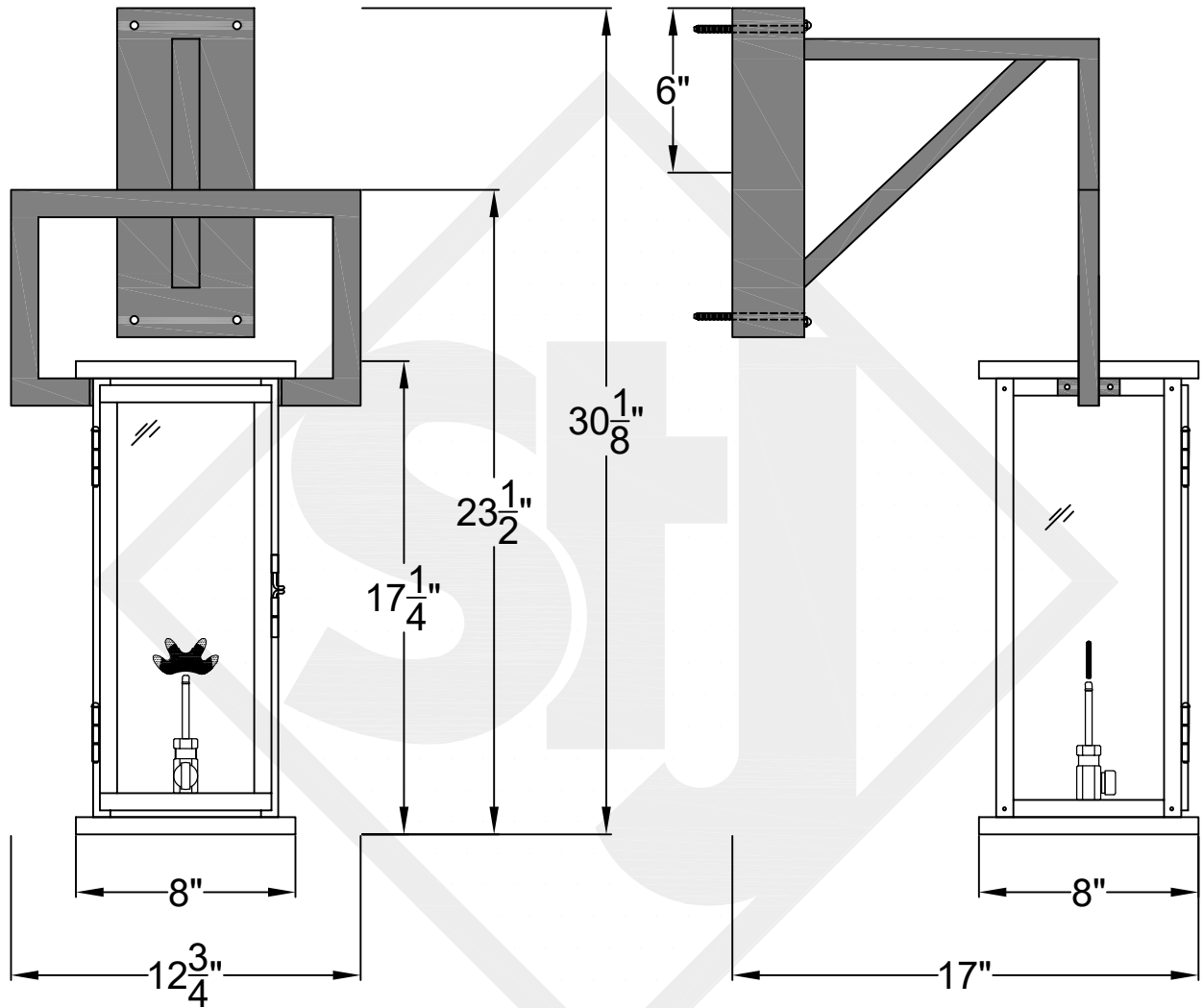
Lights are handcrafted.
Dimensions may vary by 1/4"

Mini not Available in Gas

UL Certified
Candelabra- Max 60 Watt Bulb
Edison- Max 660 Watt Bulb

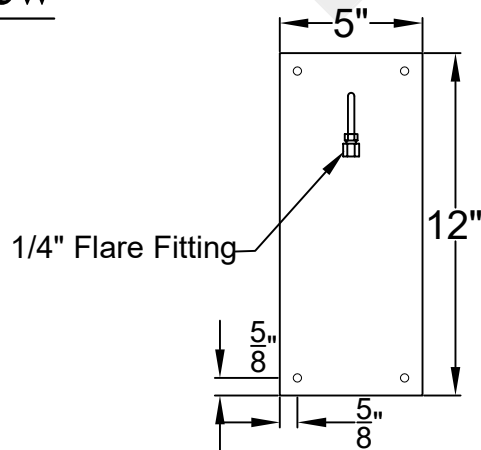
TRINITY SMALL WALL MOUNT HALF YOKE

Shortest Height 28 $\frac{5}{8}$ "



Front View

Side View



Backplate



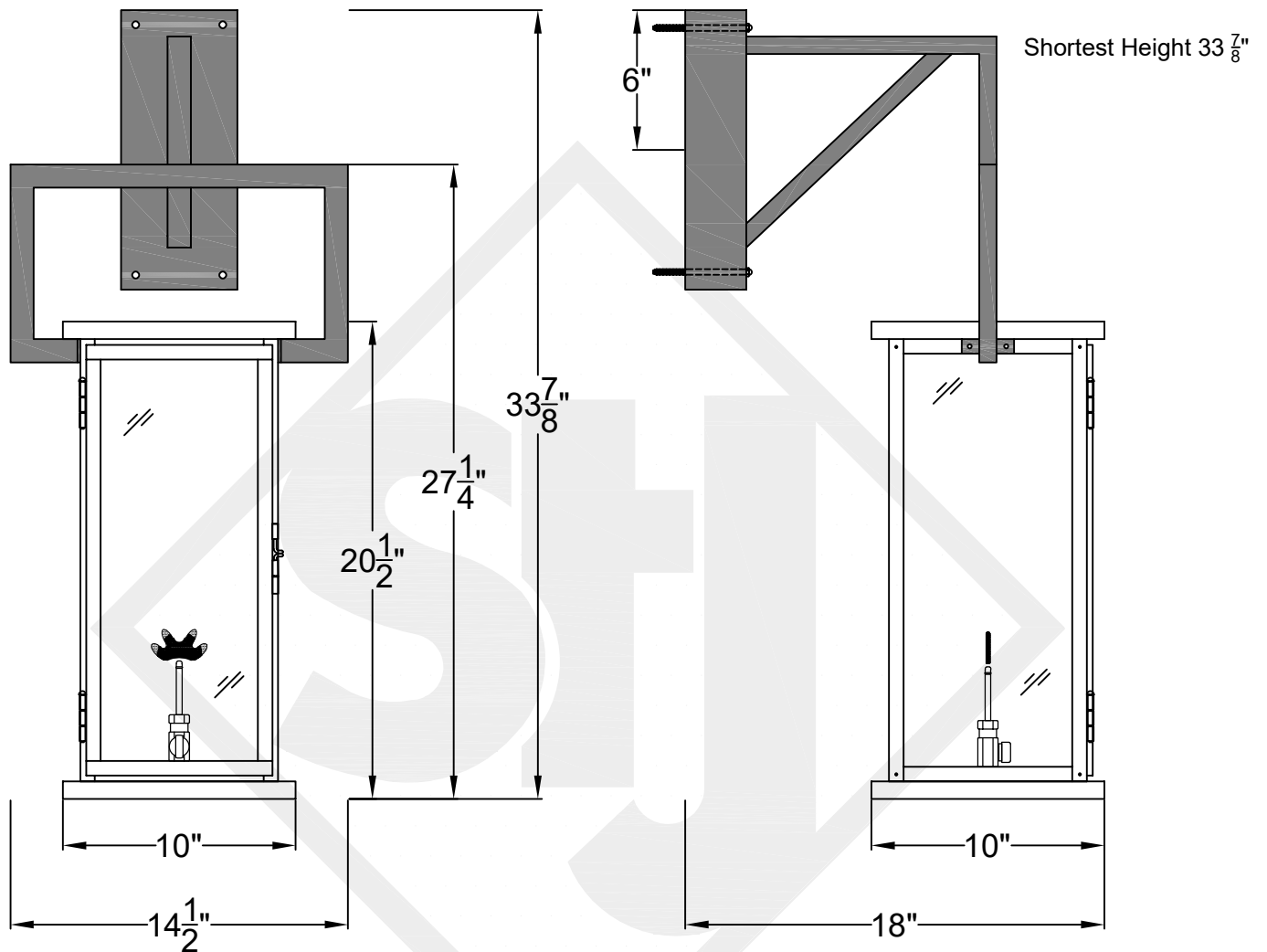
St. James
LIGHTING

SCALE: N.T.S.	DRAFT: T. Herring
FILE: TRIS	APP'D: J. Ragan
JOB: X	DATE: 8-28-2023

Lights are handcrafted.
Dimensions may vary by 1/4"

B.T.U. Rating
Natural Gas: 2730 B.T.U.
Propane: 2080 B.T.U.

TRINITY MEDIUM WALL MOUNT HALF YOKE



Front View

Side View

Backplate



St. James
LIGHTING

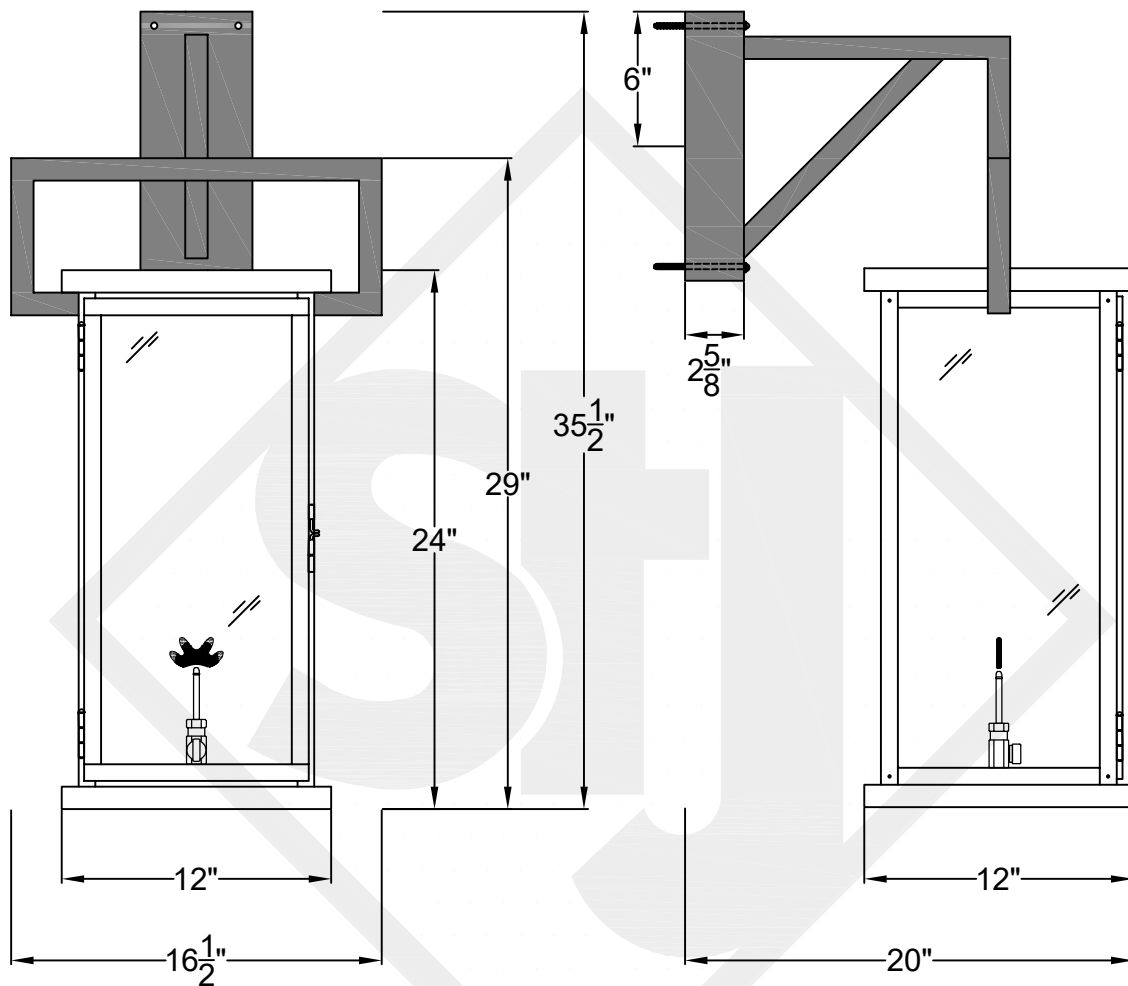
SCALE: N.T.S.	DRAFT: Y. McCullough
FILE: TRIM	APP'D: J. Ragan
JOB: X	DATE: 12/6/23

Lights are handcrafted.
Dimensions may vary by 1/4"

B.T.U. Rating
Natural Gas: 2730 B.T.U.
Propane: 2080 B.T.U.

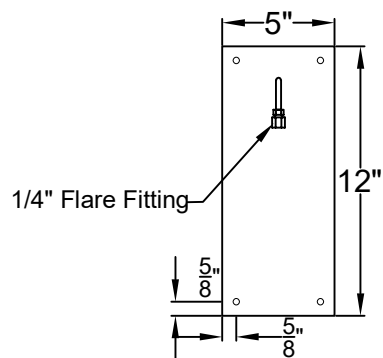
TRINITY LARGE WALL MOUNT HALF YOKE

Shortest Height 35 $\frac{1}{2}$ "



Front View

Side View



Backplate



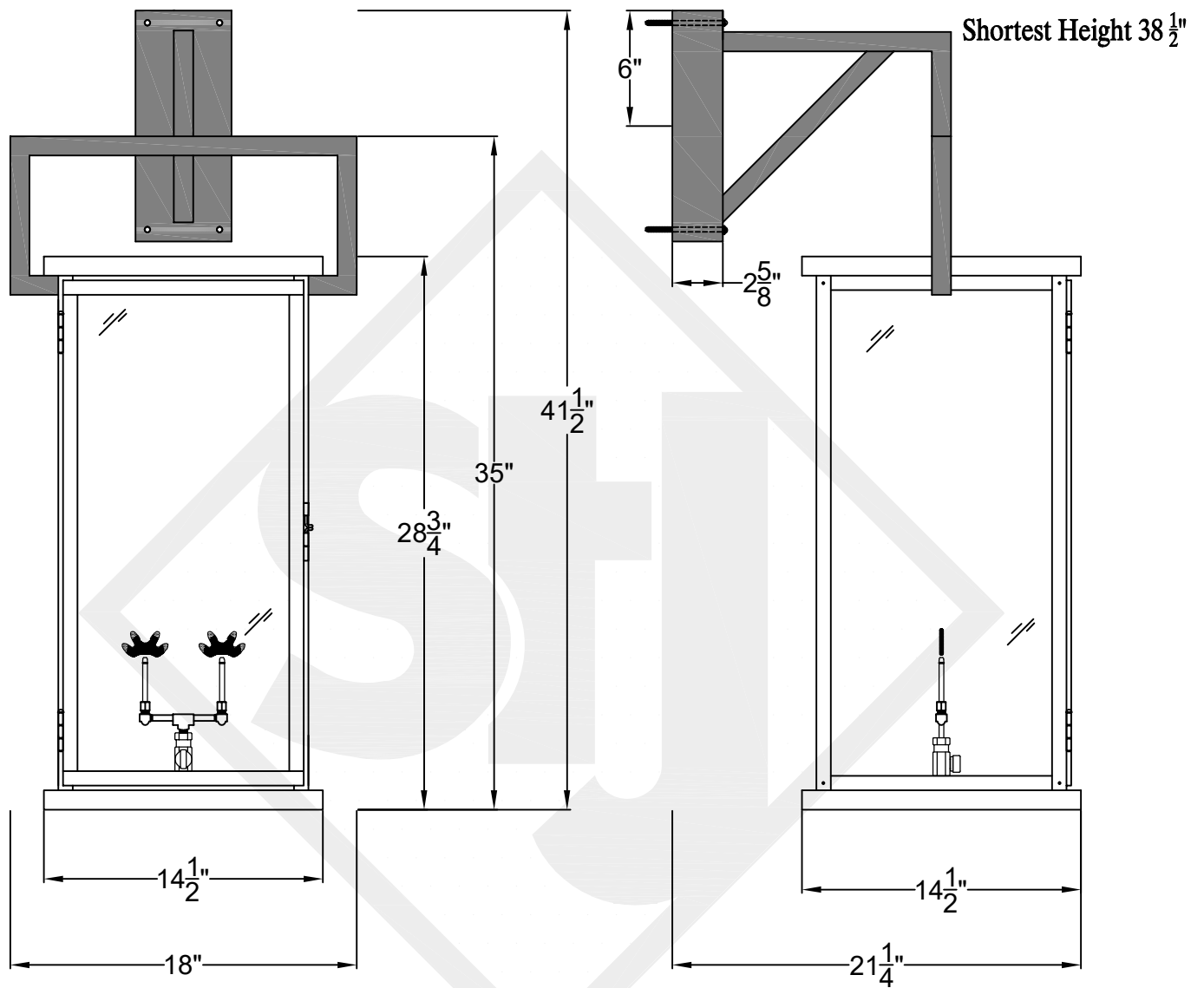
St. James
LIGHTING

SCALE: N.T.S.	DRAFT: T. Herring
FILE: TRIL	APP'D: J. Ragan
JOB: X	DATE: 8-28-2023

Lights are handcrafted.
Dimensions may vary by 1/4"

B.T.U. Rating
Natural Gas: 2730 B.T.U.
Propane: 2080 B.T.U.

TRINITY GRANDE WALL MOUNT HALF YOKE



Front View

Side View

Backplate



St. James
LIGHTING

SCALE: N.T.S.	DRAFT: Y. McCullough
FILE: TRIG	APP'D: J. Ragan
JOB: X	DATE: 12/6/23

Lights are handcrafted.
Dimensions may vary by 1/4"

B.T.U. Rating
Natural Gas: 5460 B.T.U.
Propane: 4160 B.T.U.