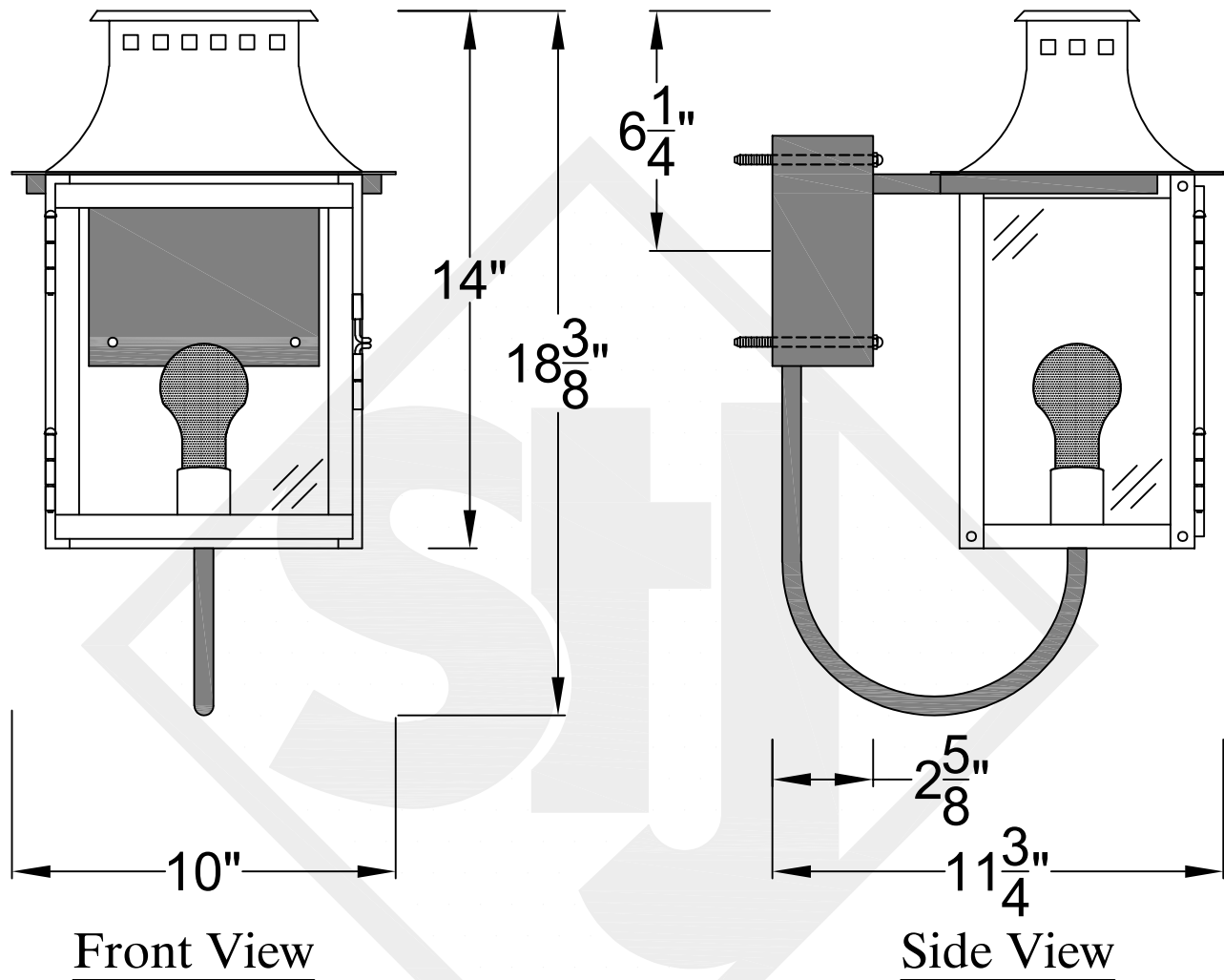
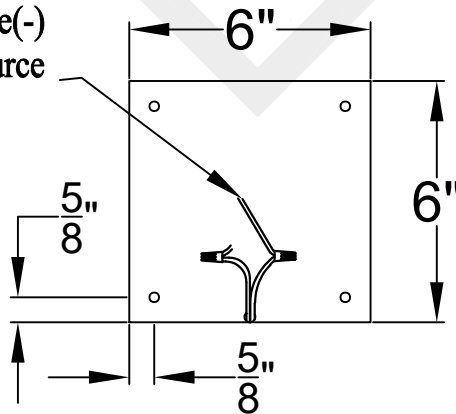


# ASPEN MINI STEEL WALL MOUNT



Black(+) & White(-)  
to power source



Backplate



St. James  
LIGHTING

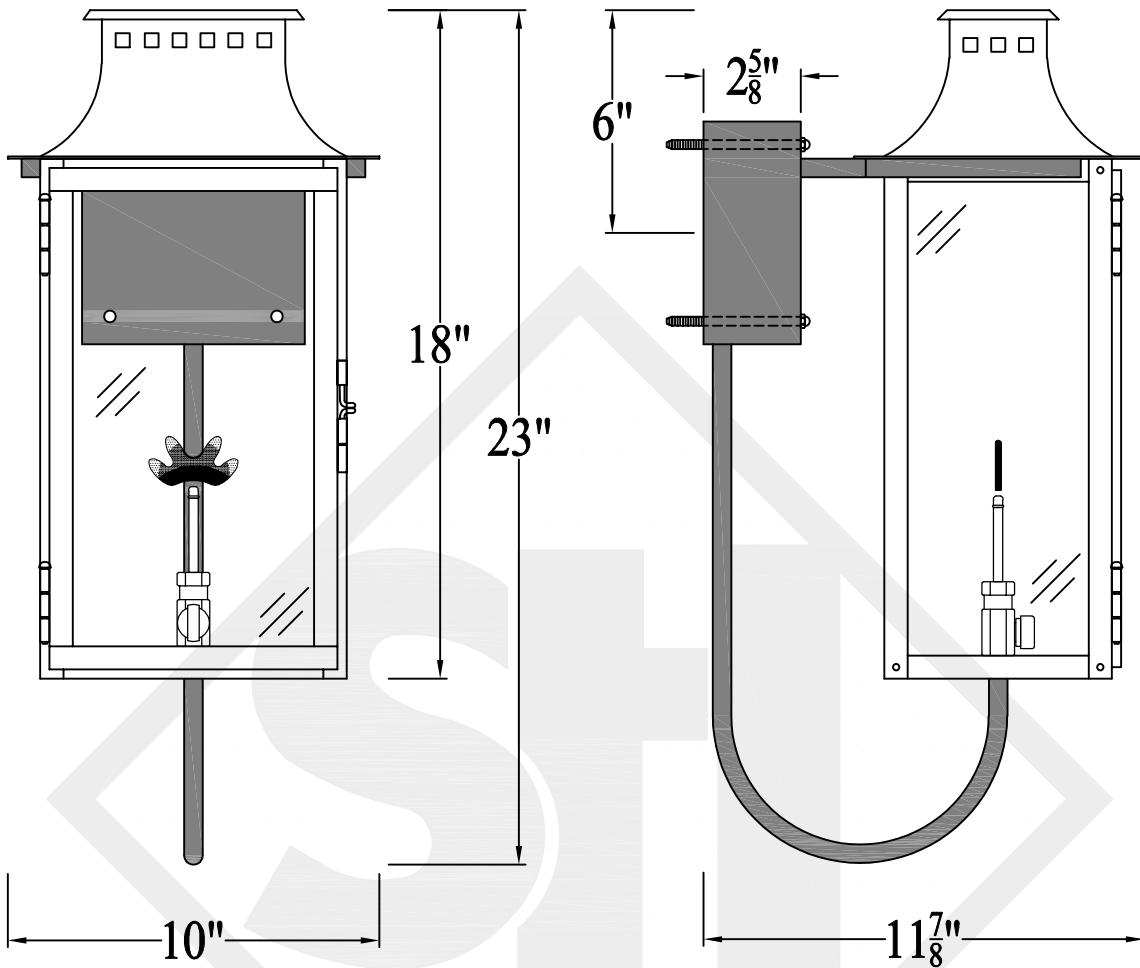
SCALE: N.T.S.	DRAFT: Y. McCullough
FILE: ASPMINI	APP'D: J. Ragan
JOB: X	DATE: 11/13/23

Lights are handcrafted.  
Dimensions may vary by 1/4"

**Mini not available in gas**

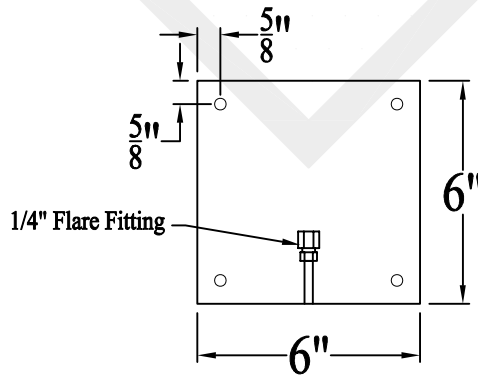
UL Certified  
Candelabra- Max 60 Watt Bulb  
Edison- Max 660 Watt Bulb

# ASPEN SMALL STEEL WALL MOUNT



Front View

Side View



Backplate



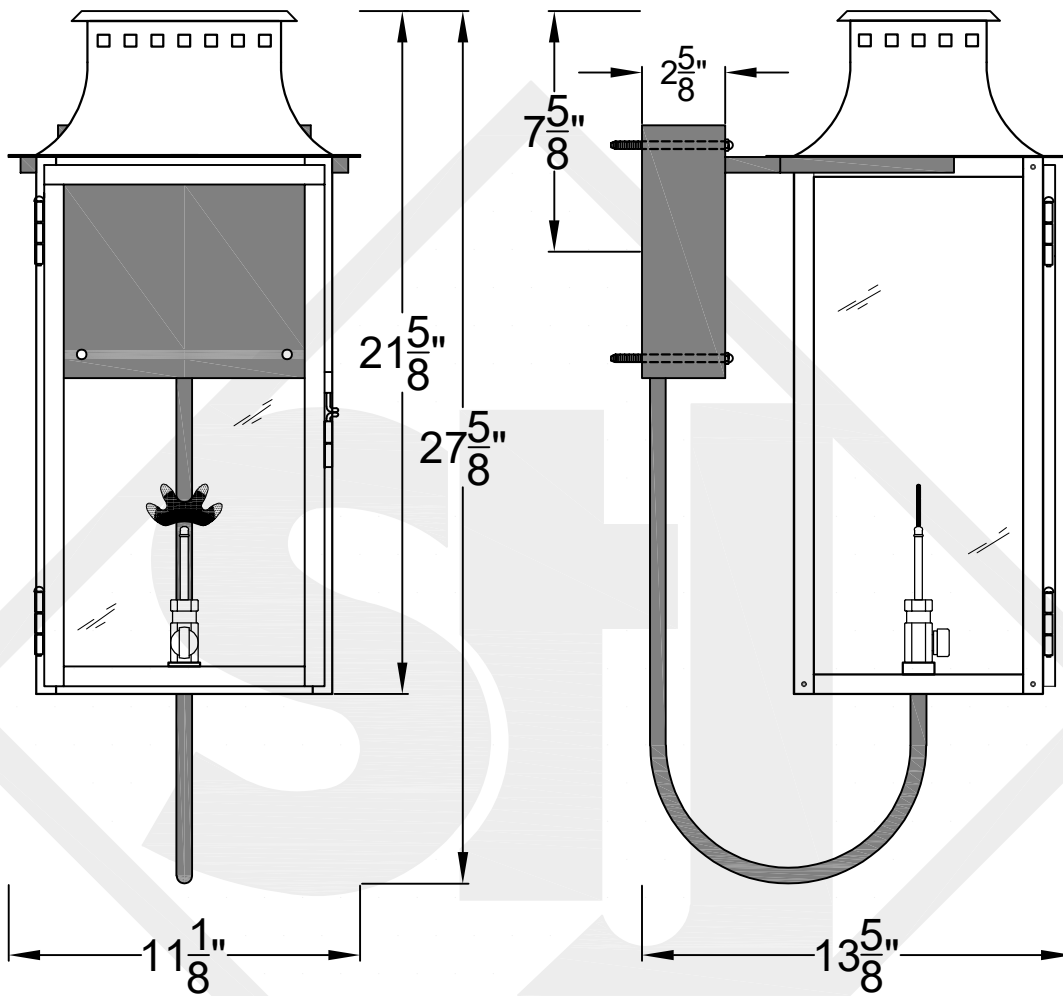
St. James  
LIGHTING

SCALE: N.T.S.	DRAFT: Y. McCullough
FILE: ASPS	APP'D: J. Ragan
JOB: X	DATE: 11/14/23

Lights are handcrafted.  
Dimensions may vary by 1/4"

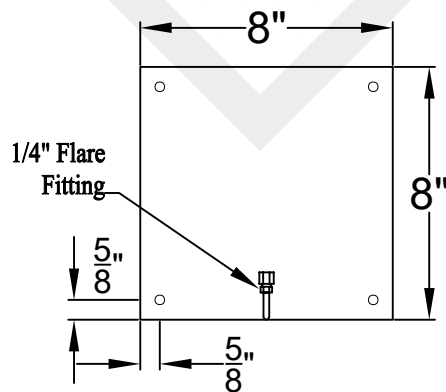
B.T.U. Rating  
Natural Gas: 2730 B.T.U.  
Propane: 2080 B.T.U.

# ASPEN MEDIUM STEEL WALL MOUNT



Front View

Side View



Backplate



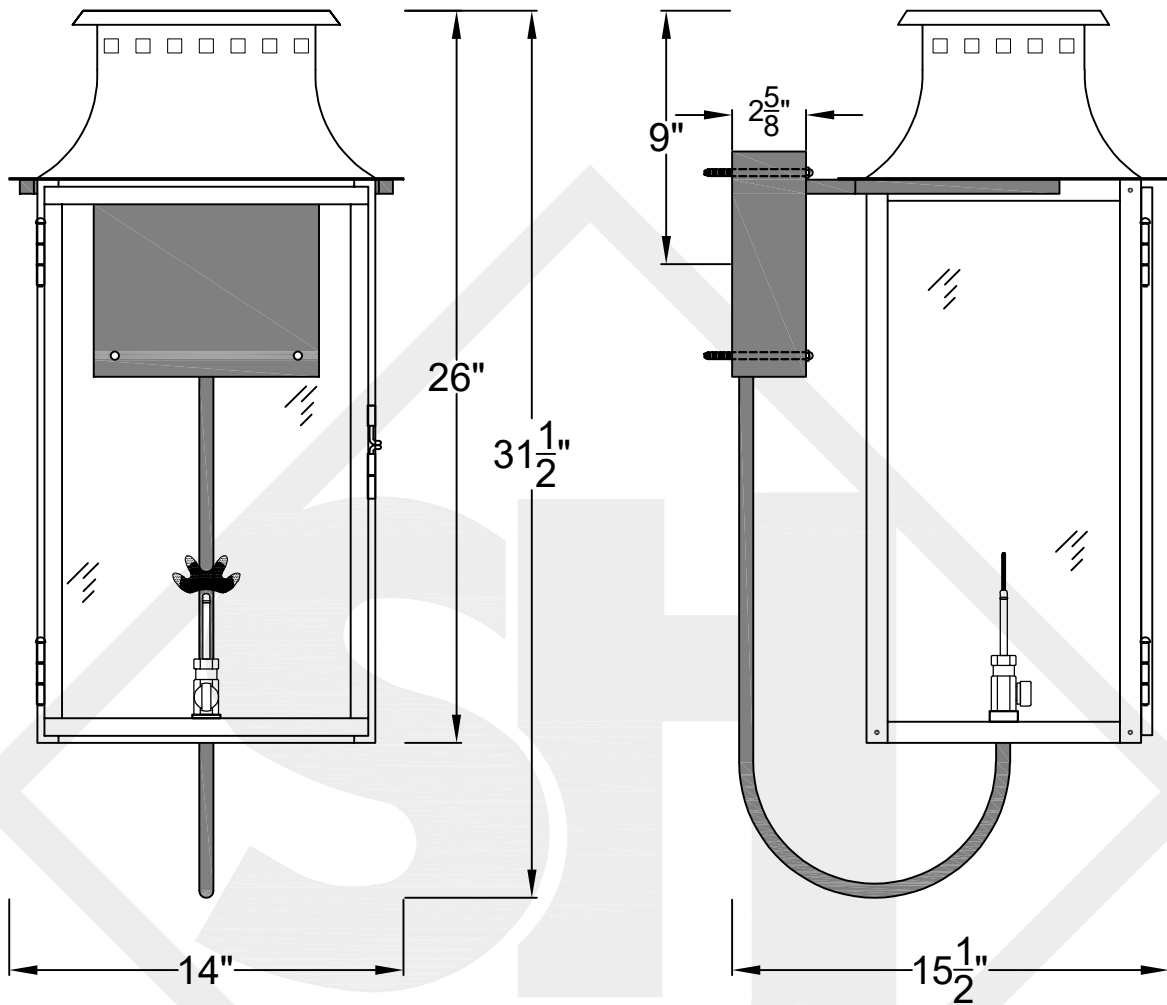
St. James  
LIGHTING

SCALE: N.T.S.	DRAFT: T. Herring
FILE: ASPM	APP'D: J. Ragan
JOB: X	DATE: 4-10-2023

Lights are handcrafted.  
Dimensions may vary by 1/4"

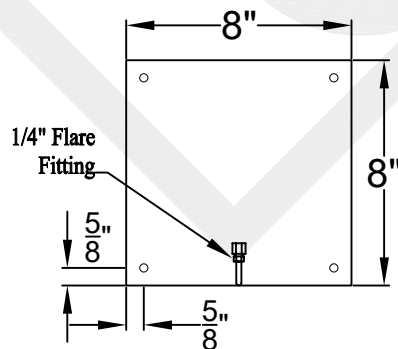
B.T.U. Rating  
Natural Gas: 2730 B.T.U.  
Propane: 2080 B.T.U.

# ASPEN LARGE STEEL WALL MOUNT



Front View

Side View



Backplate



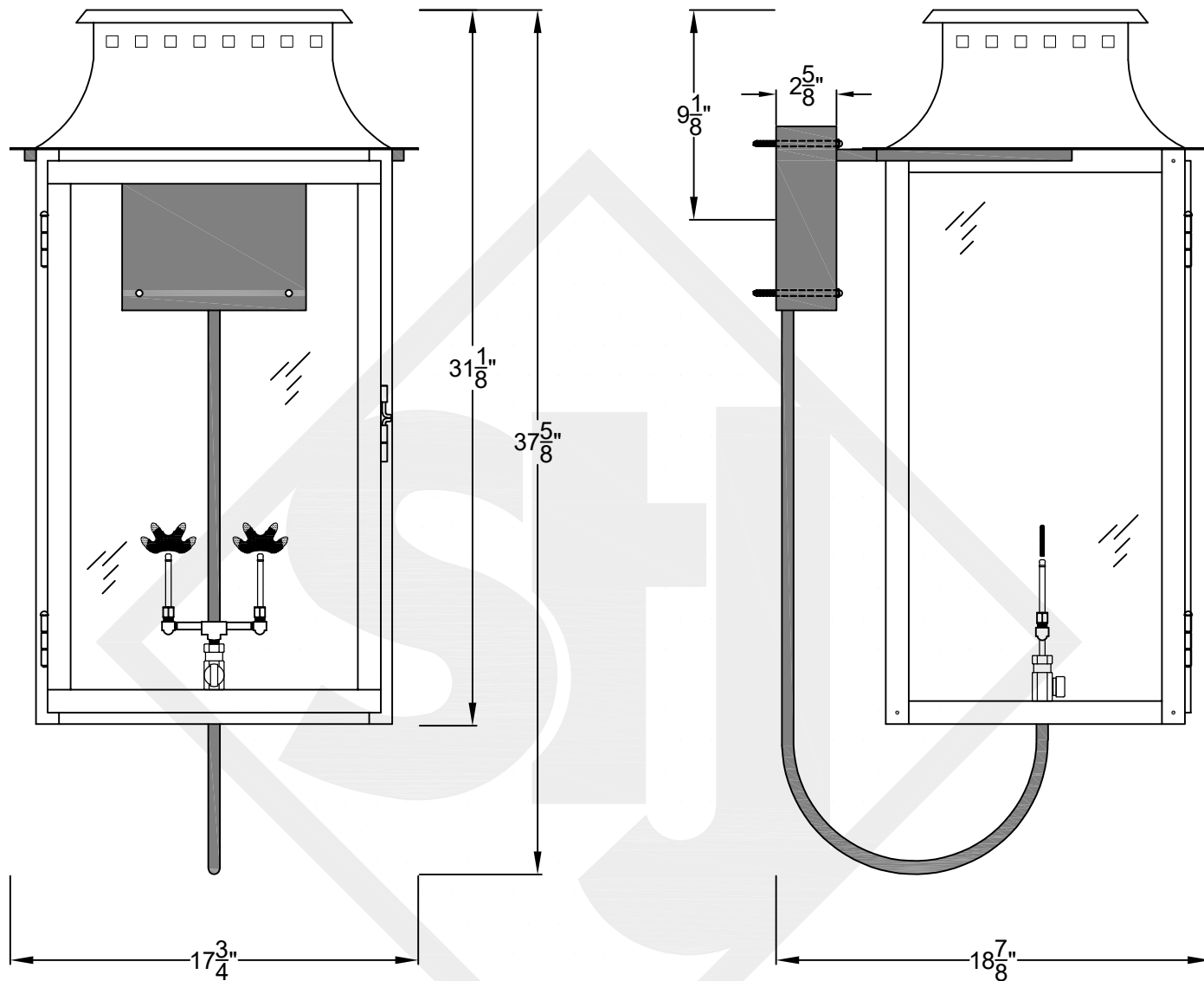
St. James  
LIGHTING

SCALE: N.T.S.	DRAFT: T. Herring
FILE: ASPL	APP'D: J. Ragan
JOB: X	DATE: 4-10-2023

Lights are handcrafted.  
Dimensions may vary by 1/4"

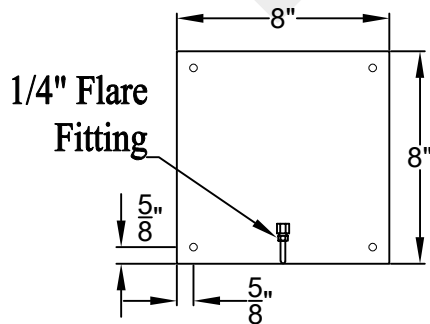
B.T.U. Rating  
Natural Gas: 2730 B.T.U.  
Propane: 2080 B.T.U.

# ASPEN GRANDE STEEL WALL MOUNT



Front View

Side View



Backplate



St. James  
LIGHTING

SCALE: N.T.S.	DRAFT: T. Herring
FILE: ASPG	APP'D: J. Ragan
JOB: X	DATE: 8-16-2023

Lights are handcrafted.  
Dimensions may vary by 1/4"

B.T.U. Rating  
Natural Gas: 5460 B.T.U.  
Propane: 4160 B.T.U.