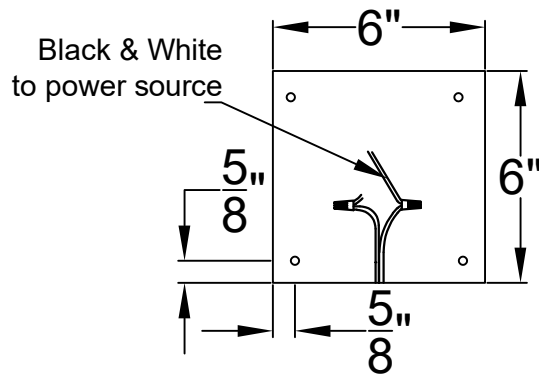
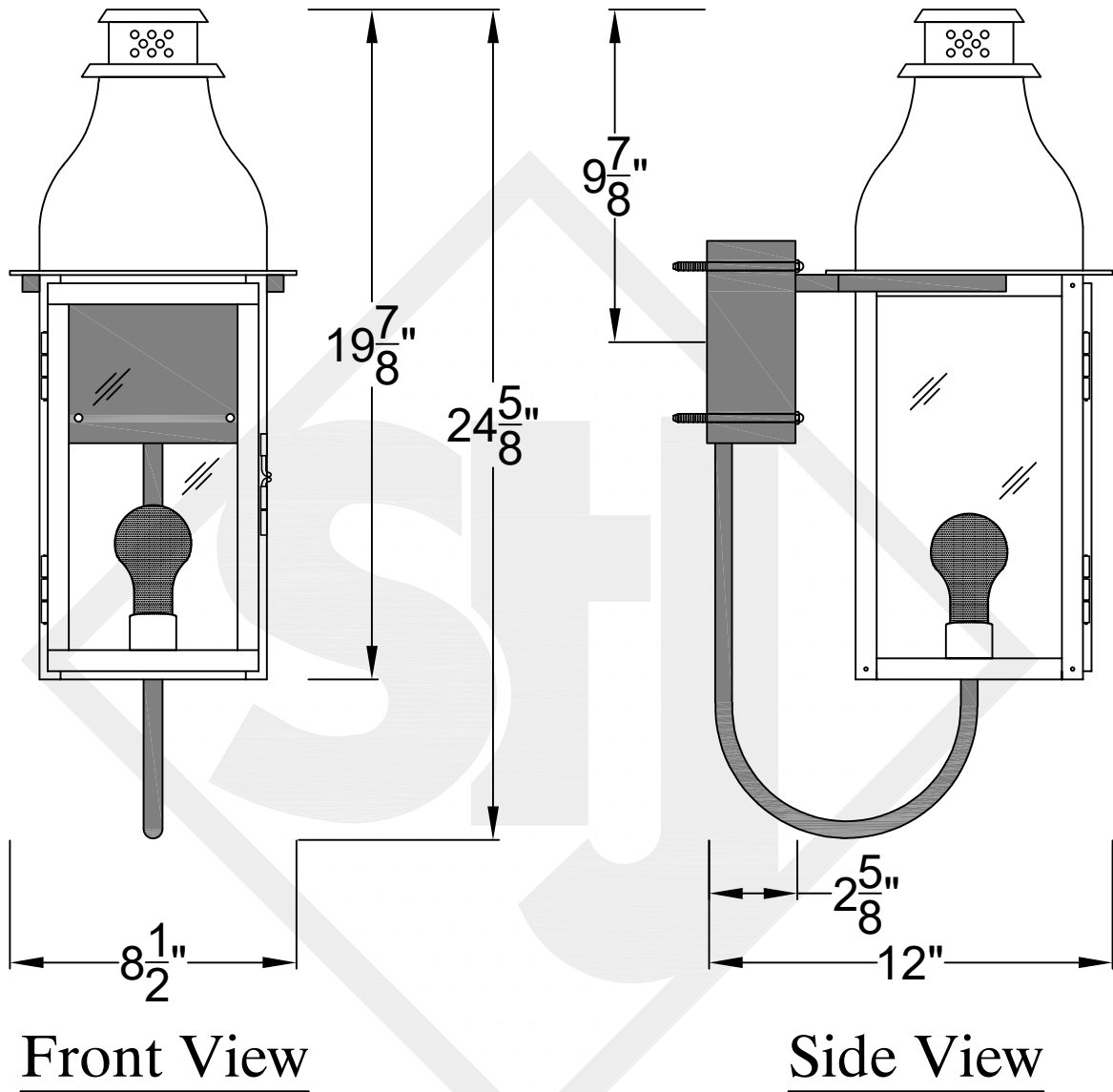


SARASOTA MINI STEEL WALL MOUNT



Backplate



St. James
LIGHTING

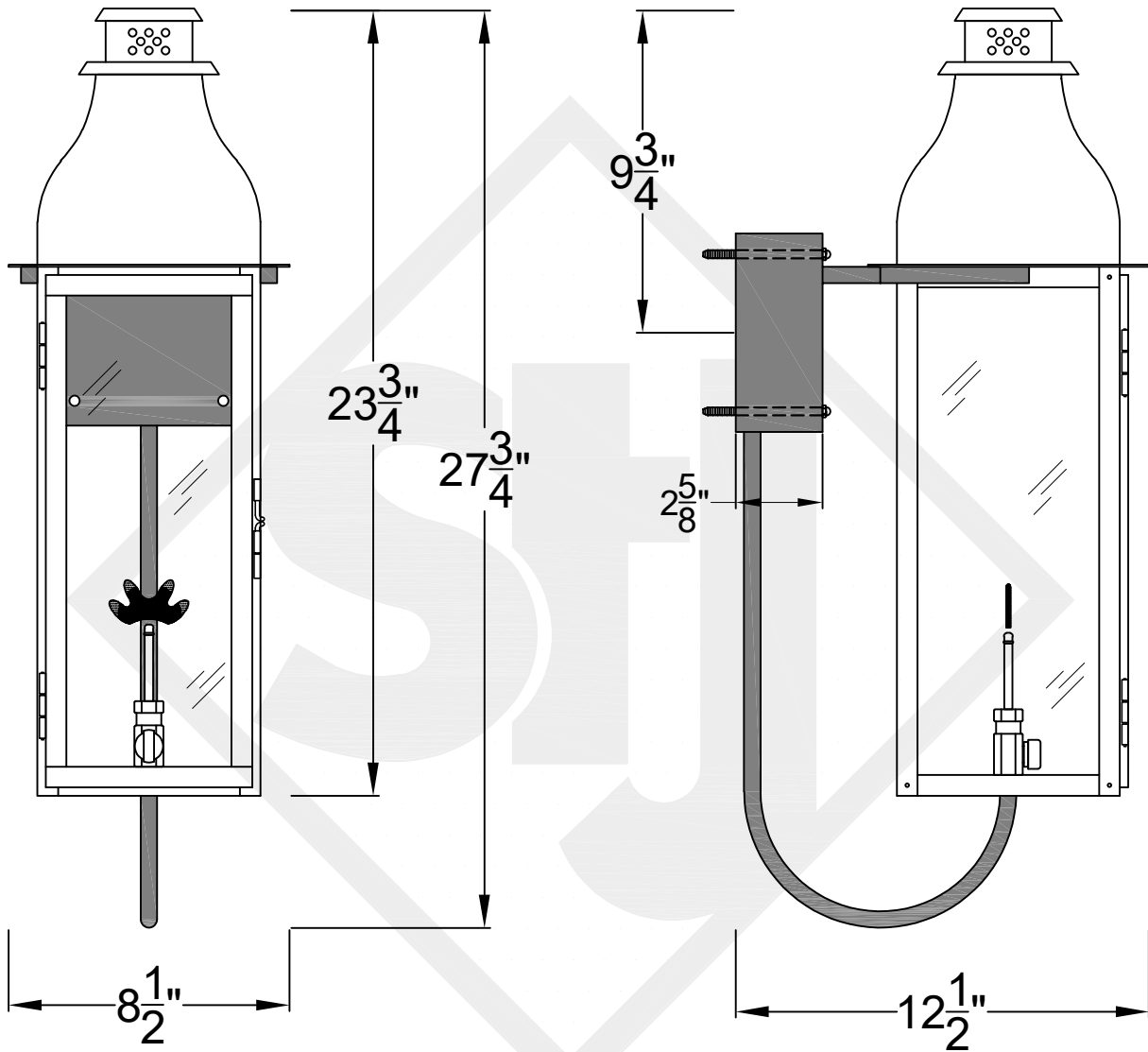
SCALE: N.T.S.	DRAFT: Y. McCullough
FILE: SARMINI	APP'D: J. Ragan
JOB: X	DATE: 11/28/23

Lights are handcrafted.
Dimensions may vary by 1/4"

Mini not Available in Gas

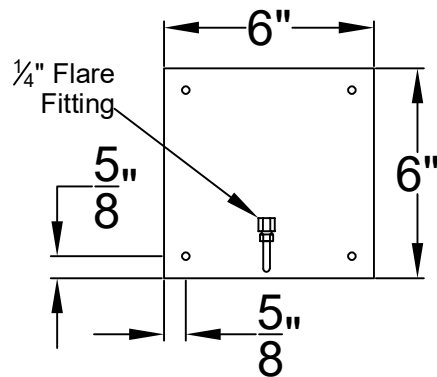
UL Certified
Candelabra- Max 60 Watt Bulb
Edison- Max 660 Watt Bulb

SARASOTA SMALL STEEL WALL MOUNT



Front View

Side View



Backplate



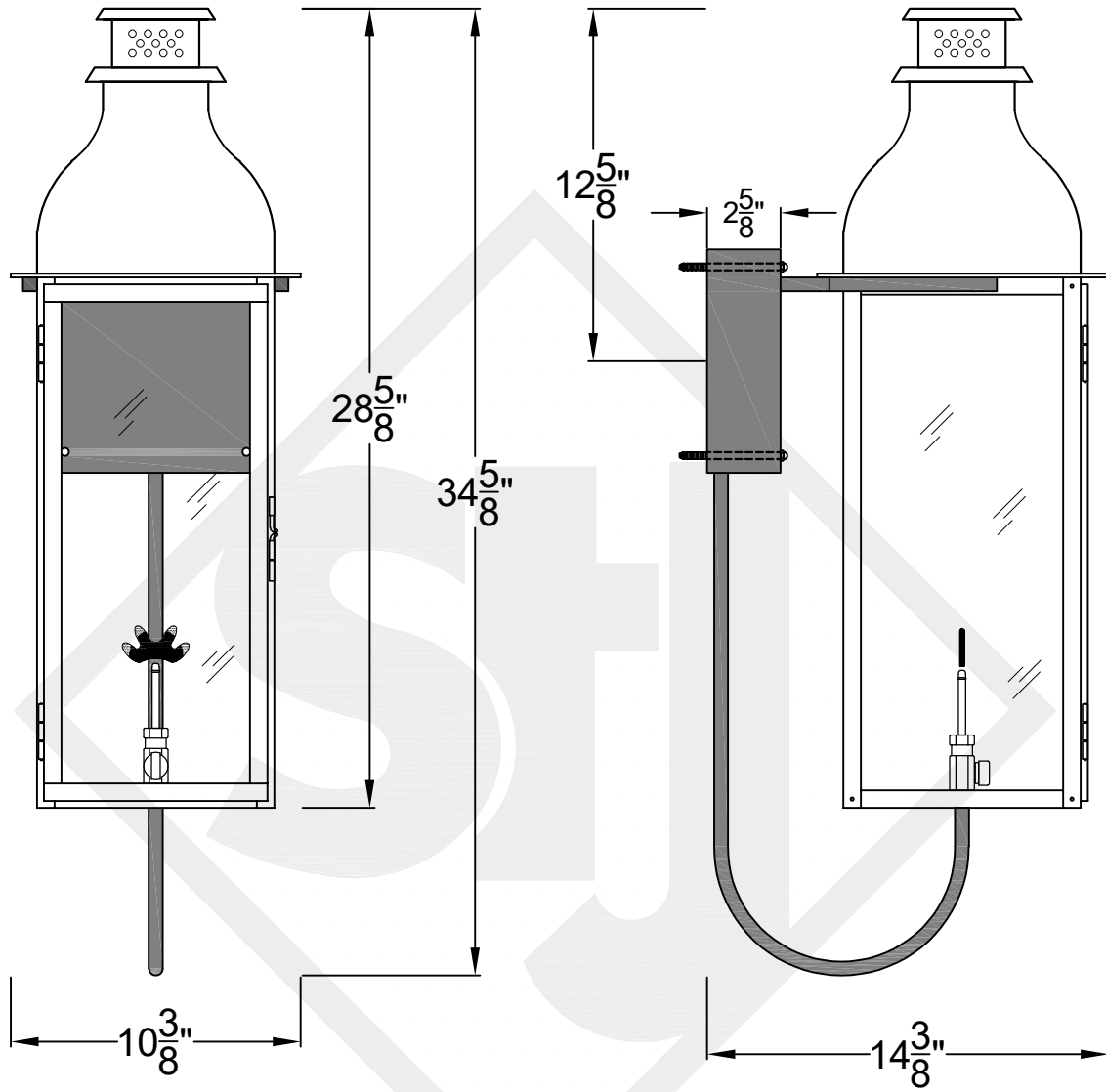
St. James
LIGHTING

SCALE: N.T.S.	DRAFT: Y. McCullough
FILE: SARS	APP'D: J. Ragan
JOB: X	DATE: 11/28/23

Lights are handcrafted.
Dimensions may vary by 1/4"

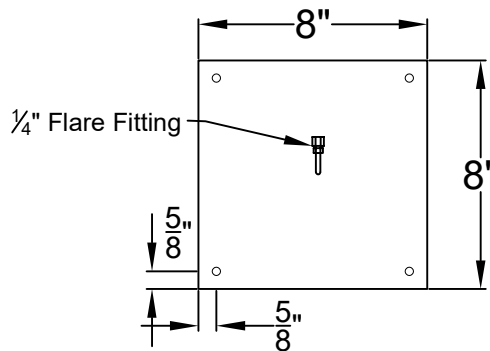
B.T.U. Rating
Natural Gas: 2730 B.T.U.
Propane: 2080 B.T.U.

SARASOTA MEDIUM STEEL WALL MOUNT



Front View

Side View



Backplate



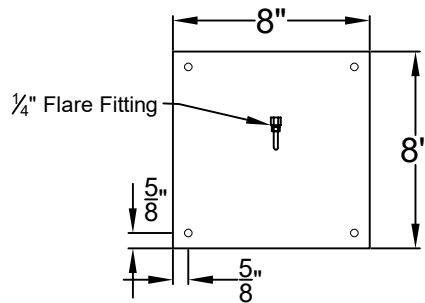
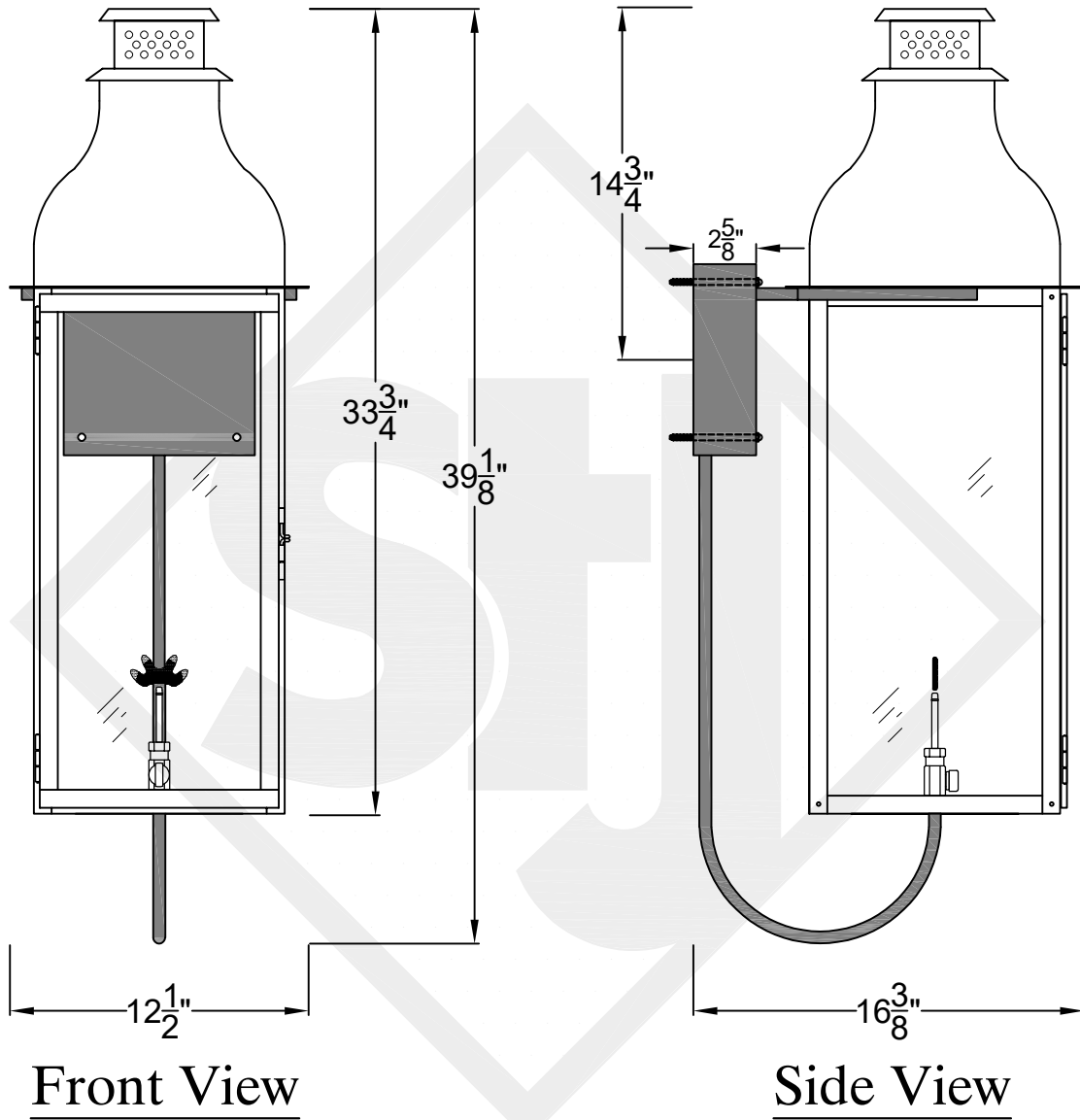
St. James
LIGHTING

SCALE: N.T.S.	DRAFT: Y. McCullough
FILE: SARM	APP'D: J. Ragan
JOB: X	DATE: 11/28/23

Lights are handcrafted.
Dimensions may vary by 1/4"

B.T.U. Rating
Natural Gas: 2730 B.T.U.
Propane: 2080 B.T.U.

SARASOTA LARGE STEEL WALL MOUNT



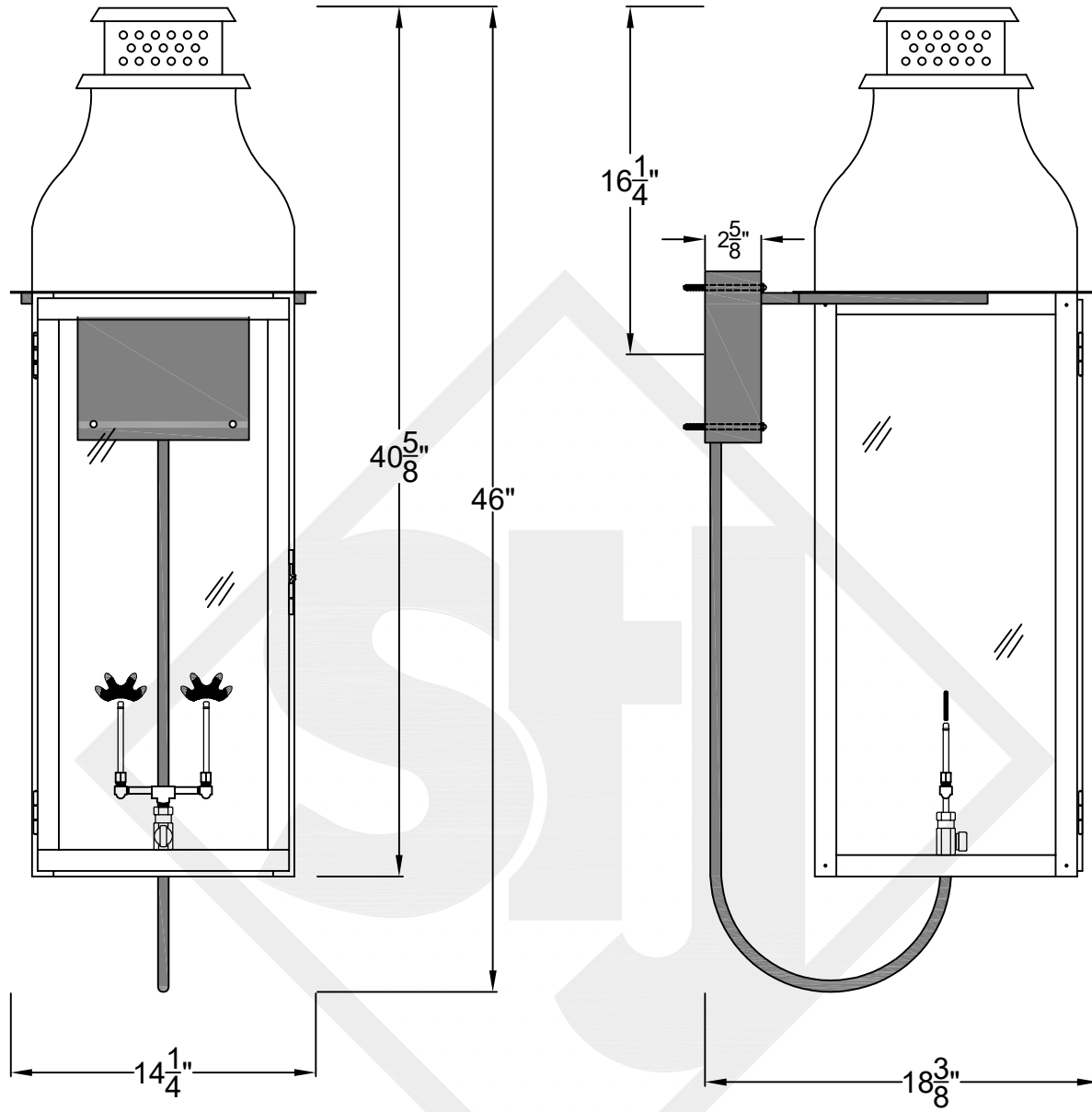
St. James
LIGHTING

SCALE: N.T.S.	DRAFT: Y. McCullough
FILE: SARL	APP'D: J. Ragan
JOB: X	DATE: 11/28/23

Lights are handcrafted.
Dimensions may vary by 1/4"

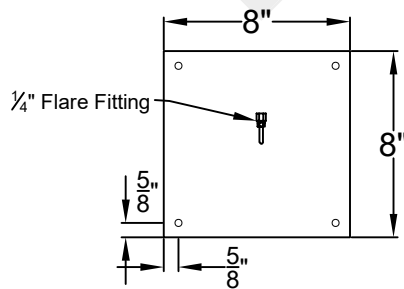
B.T.U. Rating
Natural Gas: 2730 B.T.U.
Propane: 2080 B.T.U.

SARASOTA GRANDE STEEL WALL MOUNT



Front View

Side View



Backplate



St. James
LIGHTING

SCALE: N.T.S.	DRAFT: Y. McCullough
FILE: SARGG	APP'D: J. Ragan
JOB: X	DATE: 11/28/23

Lights are handcrafted.
Dimensions may vary by 1/4"

B.T.U. Rating
Natural Gas: 5460 B.T.U.
Propane: 4160 B.T.U.