

TYPICAL INSTALLATION INSTRUCTIONS WALL MOUNT YOKE—AUTOMATIC IGNITION

Applies to all Wall Mount Half/Full Yoke mounted lanterns
 Sizes : Small, Medium, large & Grande

Light Supplied w/
 4—Acorn Nuts
 4—4" x 1/4" Hanger Bolt

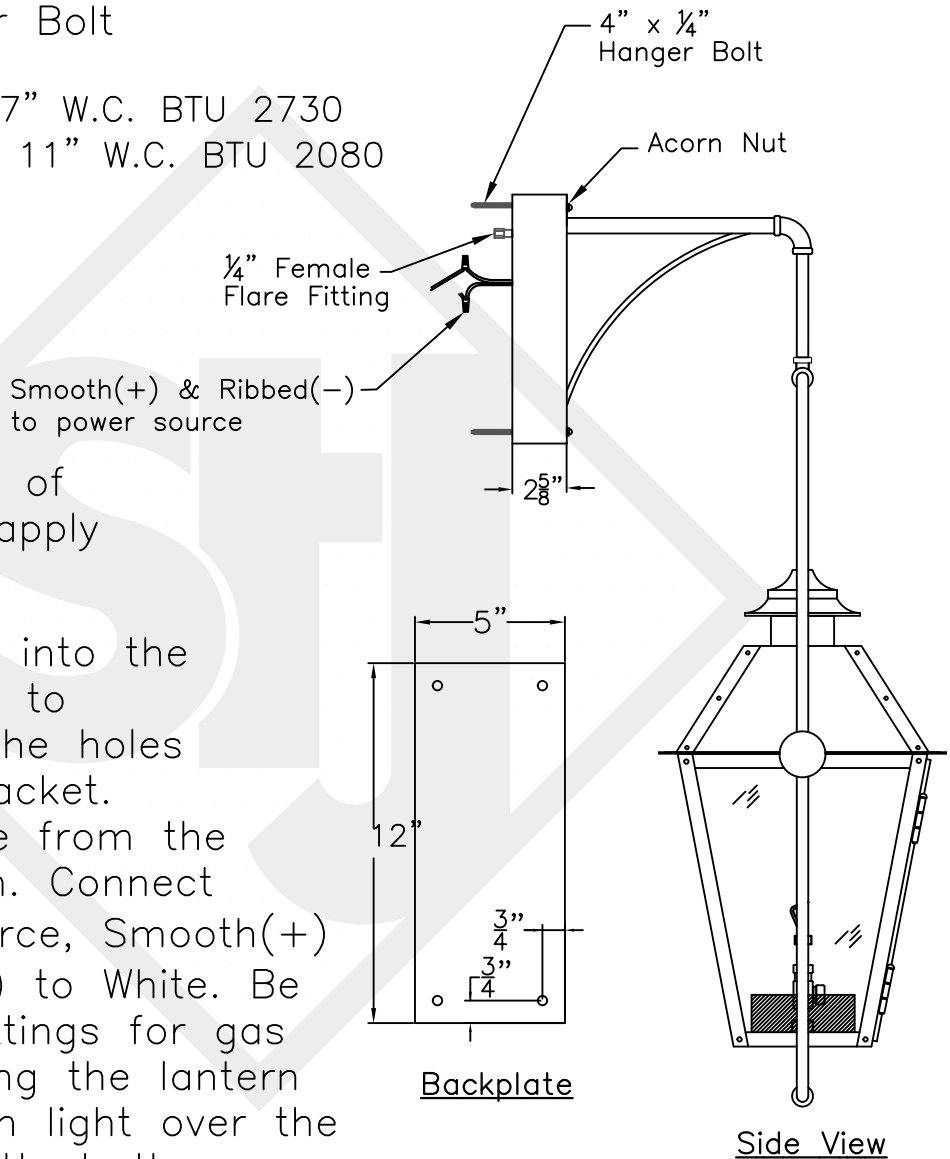
Natural Gas Requires 7" W.C. BTU 2730
 Propane Gas Requires 11" W.C. BTU 2080

Clearance:

—12" from vent
 to ceiling
 —6" from sides

Apply Caulking to
 both sides and top of
 Wall Box. DO NOT apply
 on bottom

Screw hanger bolts into the wall leaving enough to penetrate through the holes in the Mounting Bracket. Connect the gas line from the lantern to the main. Connect wires to power source, Smooth(+) to Black, Ribbed(–) to White. Be sure to test the fittings for gas leaks before securing the lantern to the wall. Position light over the hanger bolts and attach the acorn nuts, tightening to securely mount light.



CAUTION: Risk of fire or electric shock

This product is to be installed by a qualified Plumber ONLY. Installation must conform with all local codes or, in the absence of local codes, UL 1598, Gas Code ANSI Z21.42 – 2004, Gas Illuminating Appliance

Typical Install Wall Mount Yoke	
St. James LIGHTING	
SCALE: N.T.S.	DRAFT: B. Vial
FILE: INSTALL	APP'D: J. Ragon
JOB: X	DATE: 02/20/18