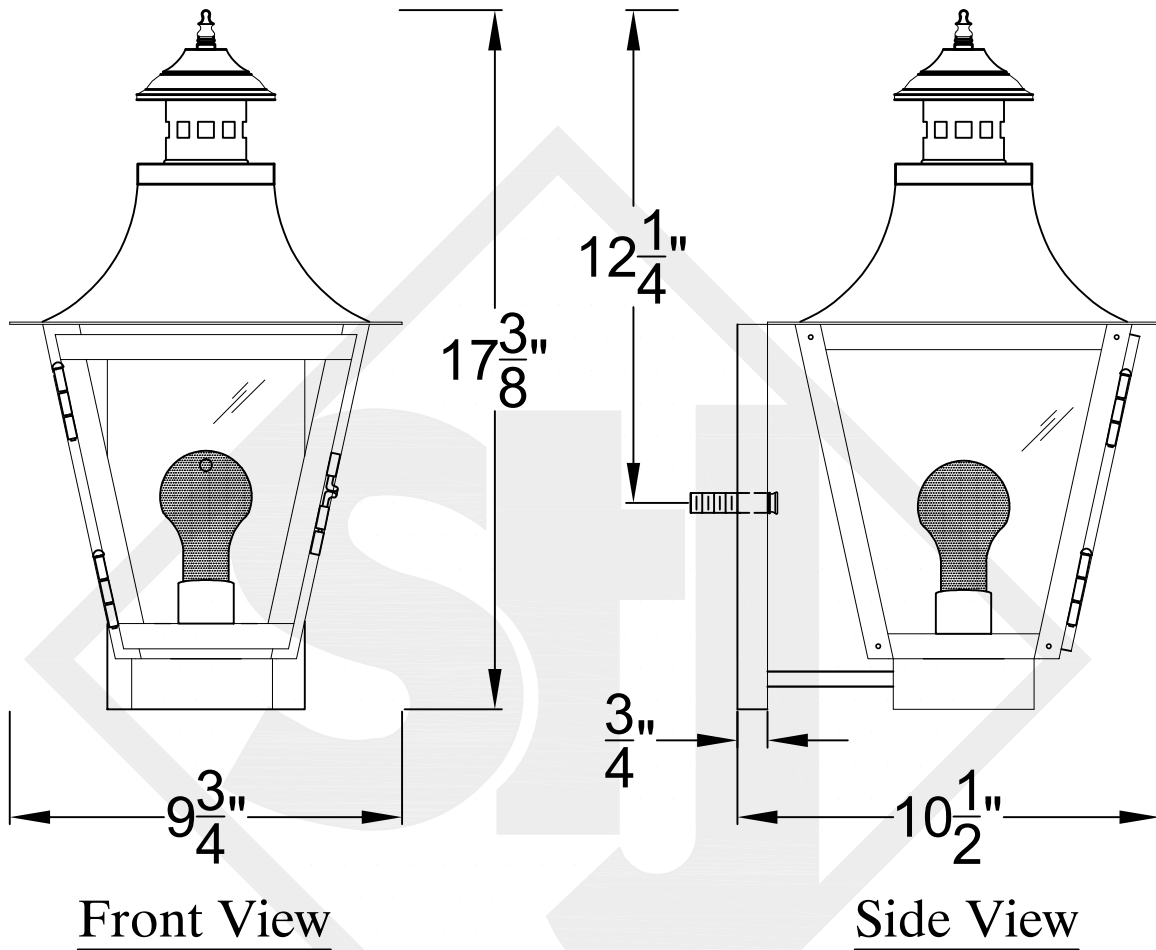
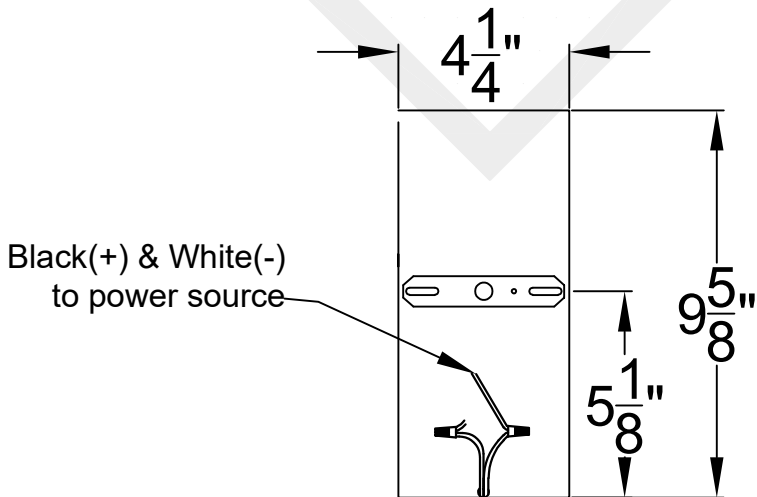


# MONTROSE MINI COPPER WALL BRACKET



Front View

Side View



Backplate



St. James  
LIGHTING

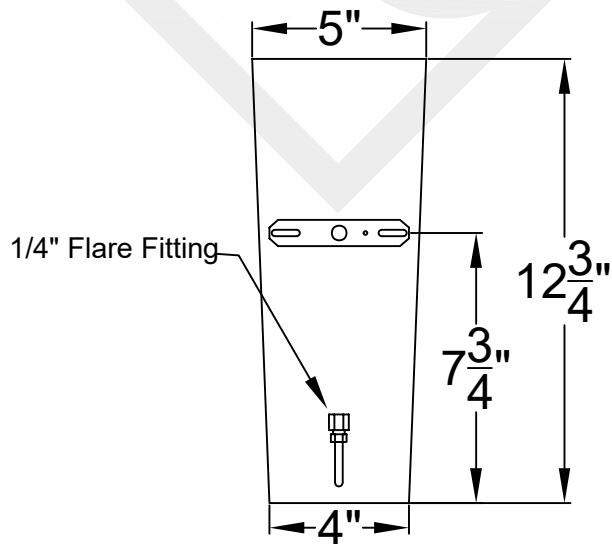
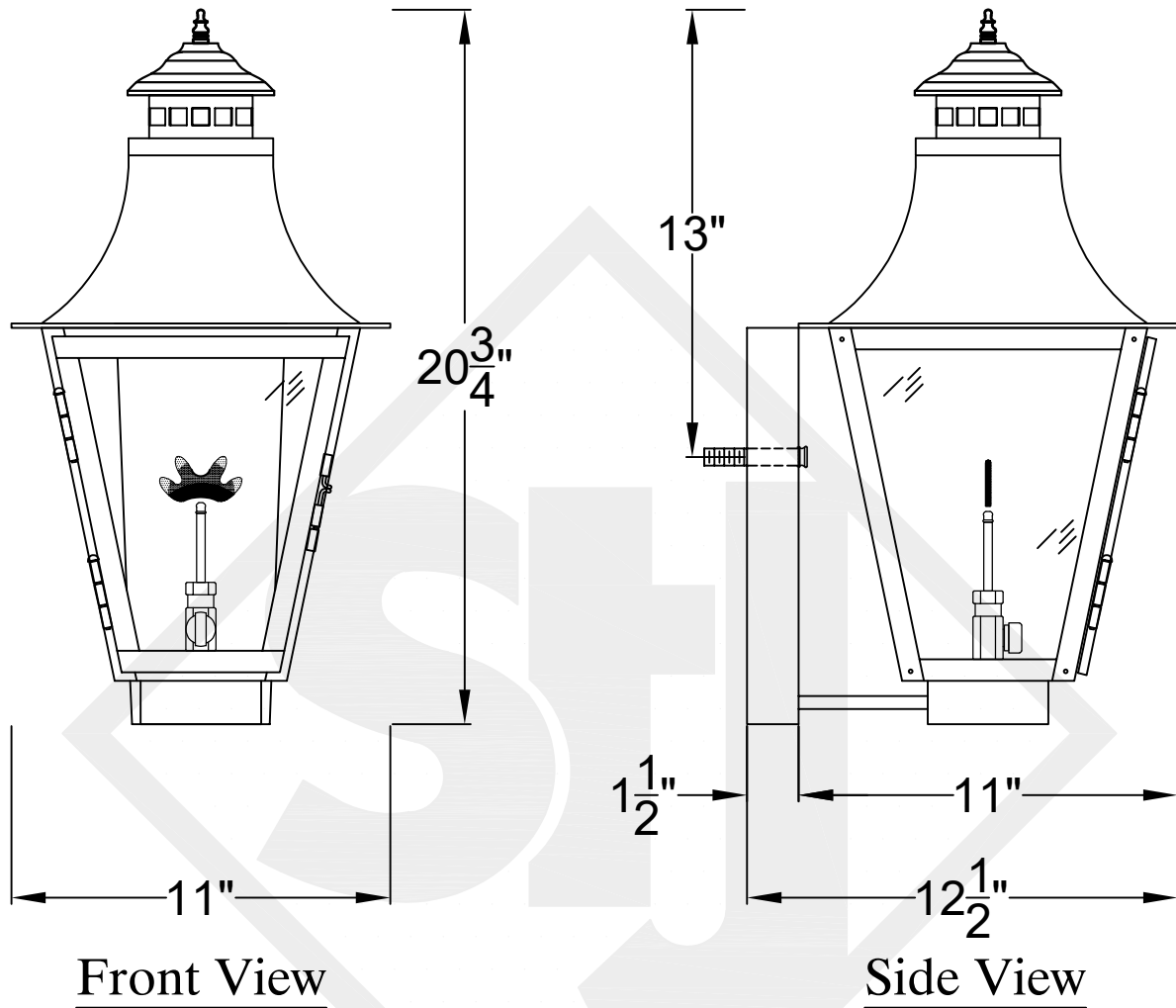
SCALE: N.T.S.      DRAFT: T. Herring  
FILE: MONMINI      APP'D: J. Ragan  
JOB: X              DATE: 8-18-2023

Lights are handcrafted.  
Dimensions may vary by 1/4"

Mini not Available in Gas

UL Certified  
Candelabra- Max 60 Watt Bulb  
Edison- Max 660 Watt Bulb

# MONTROSE SMALL COPPER WALL BRACKET



Backplate



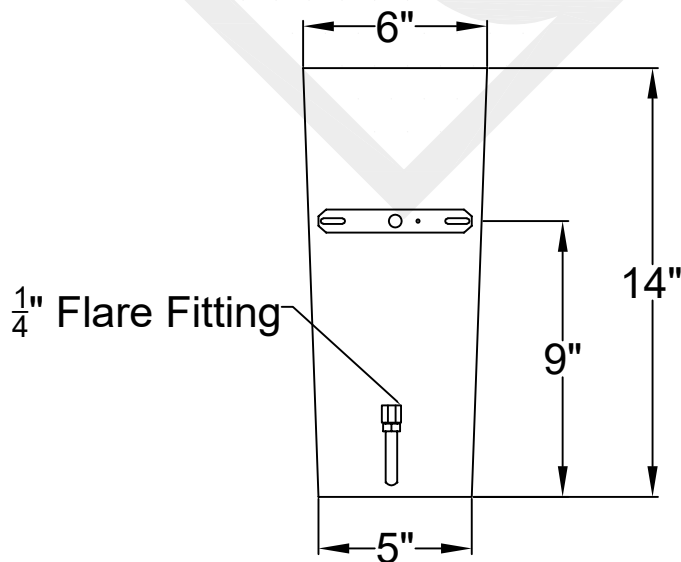
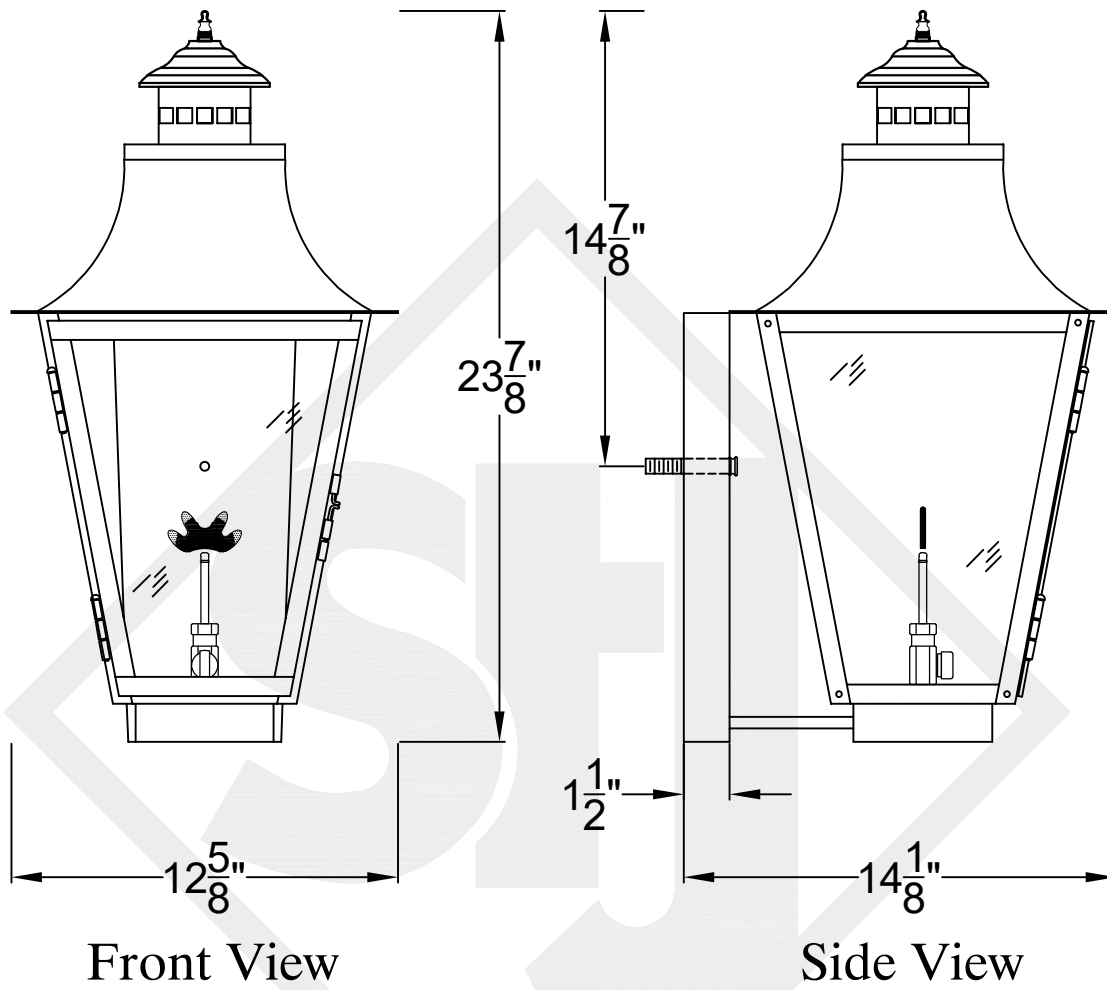
St. James  
LIGHTING

|               |                   |
|---------------|-------------------|
| SCALE: N.T.S. | DRAFT: T. Herring |
| FILE: MONS    | APP'D: J. Ragan   |
| JOB: X        | DATE: 8-7-2023    |

Lights are handcrafted.  
Dimensions may vary by 1/4"

B.T.U. Rating  
Natural Gas: 2730 B.T.U.  
Propane: 2080 B.T.U.

# MONTROSE MEDIUM COPPER WALL BRACKET



Backplate



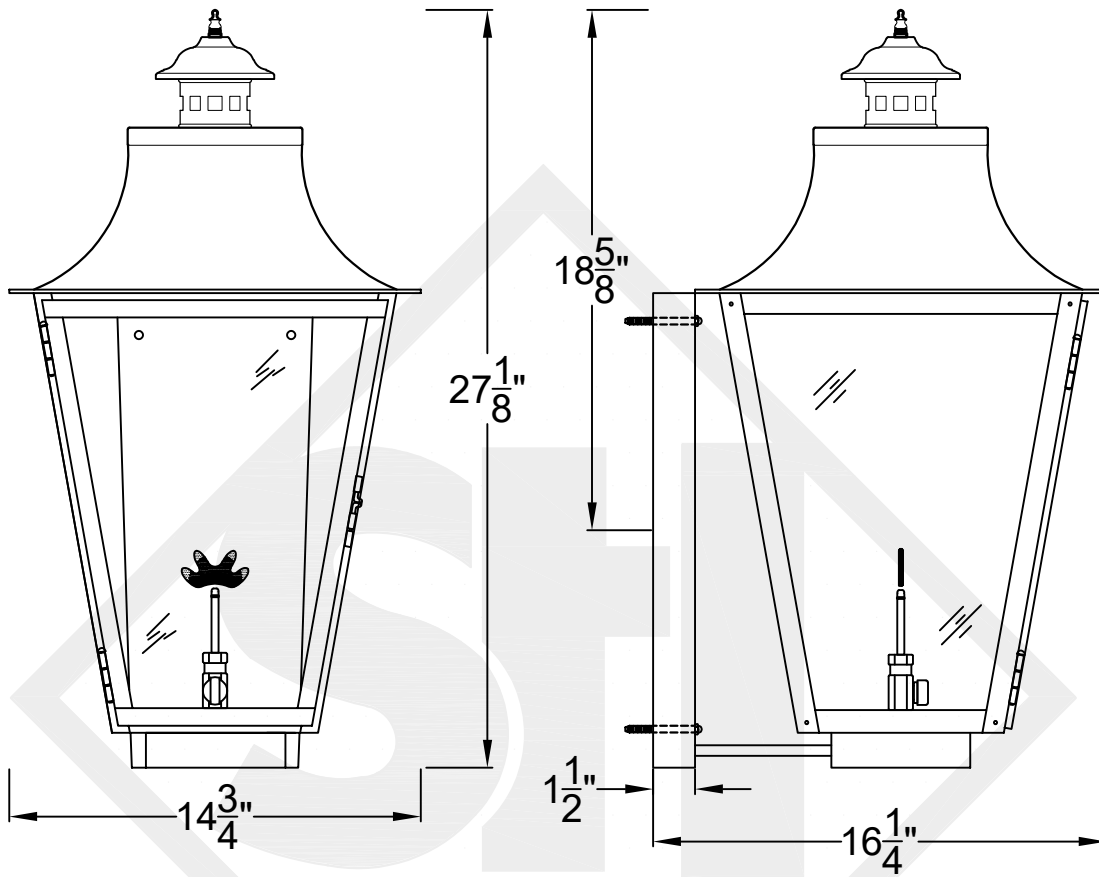
St. James  
LIGHTING

|               |                      |
|---------------|----------------------|
| SCALE: N.T.S. | DRAFT: Y. McCullough |
| FILE: MONM    | APP'D: J. Ragan      |
| JOB: X        | DATE: 11/20/23       |

Lights are handcrafted.  
Dimensions may vary by 1/4"

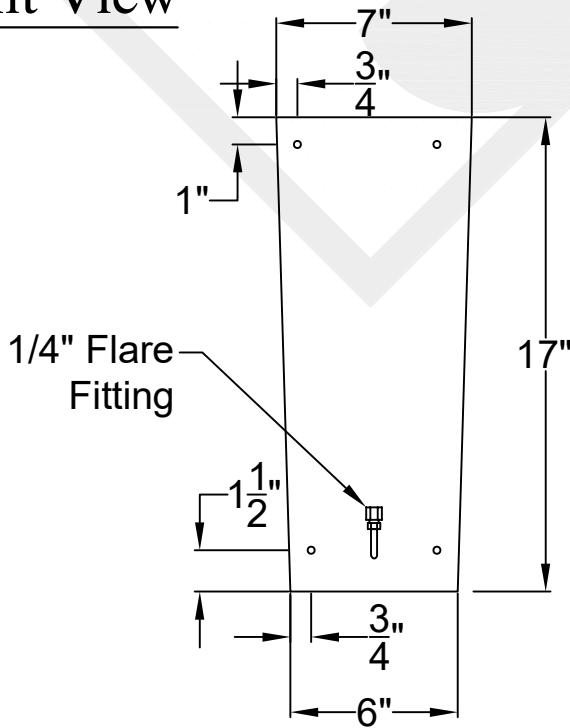
B.T.U. Rating  
Natural Gas: 2730 B.T.U.  
Propane: 2080 B.T.U.

# MONTROSE LARGE COPPER WALL BRACKET



Front View

Side View



Backplate



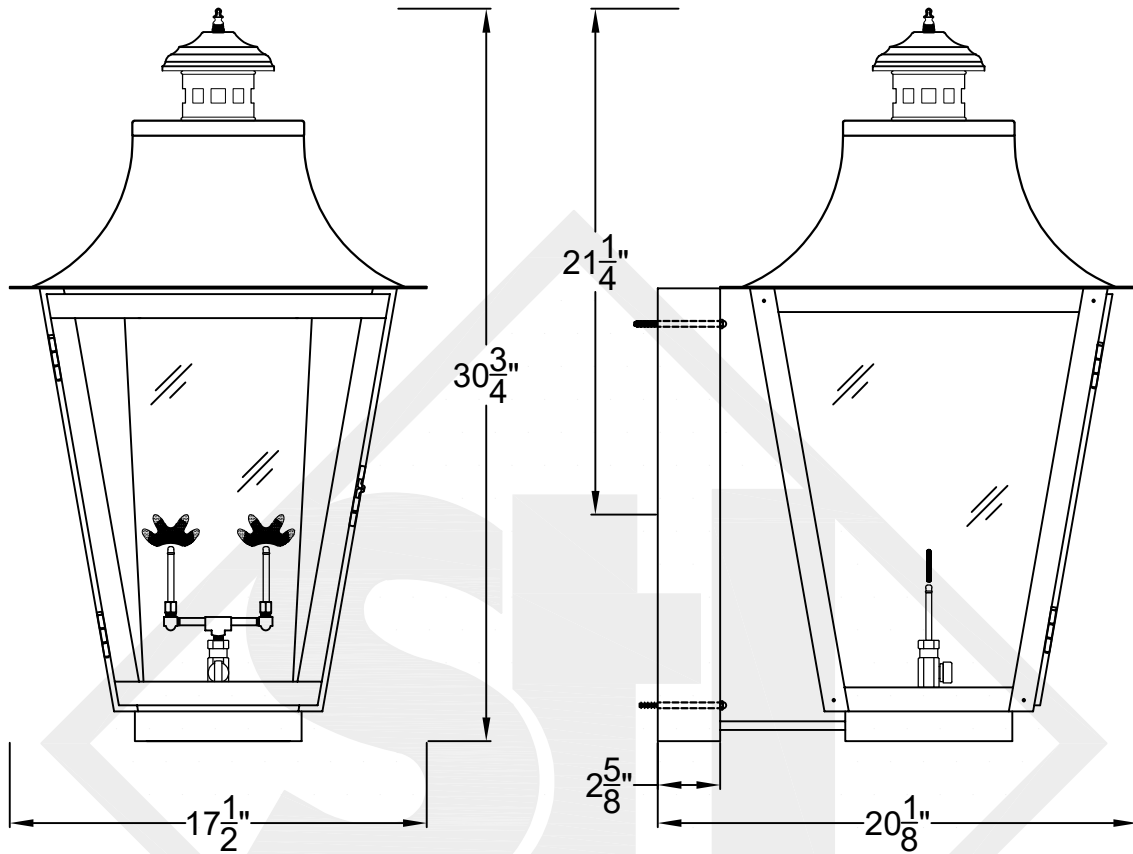
St. James  
LIGHTING

|               |                      |
|---------------|----------------------|
| SCALE: N.T.S. | DRAFT: Y. McCullough |
| FILE: MONL    | APP'D: J. Ragan      |
| JOB: X        | DATE: 11/20/23       |

Lights are handcrafted.  
Dimensions may vary by 1/4"

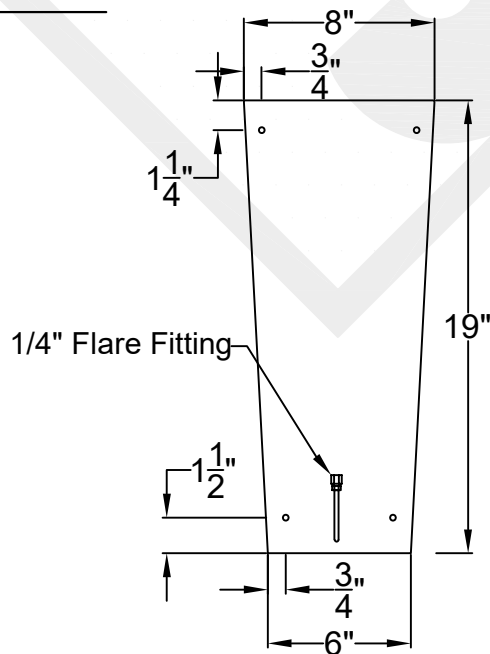
B.T.U. Rating  
Natural Gas: 2730 B.T.U.  
Propane: 2080 B.T.U.

# MONTROSE GRANDE COPPER WALL BRACKET



Front View

Side View



Backplate



St. James  
LIGHTING

|               |                      |
|---------------|----------------------|
| SCALE: N.T.S. | DRAFT: Y. McCullough |
| FILE: MONG    | APP'D: J. Ragan      |
| JOB: X        | DATE: 11/20/23       |

Lights are handcrafted.  
Dimensions may vary by 1/4"

B.T.U. Rating  
Natural Gas: 5460 B.T.U.  
Propane: 4160 B.T.U.