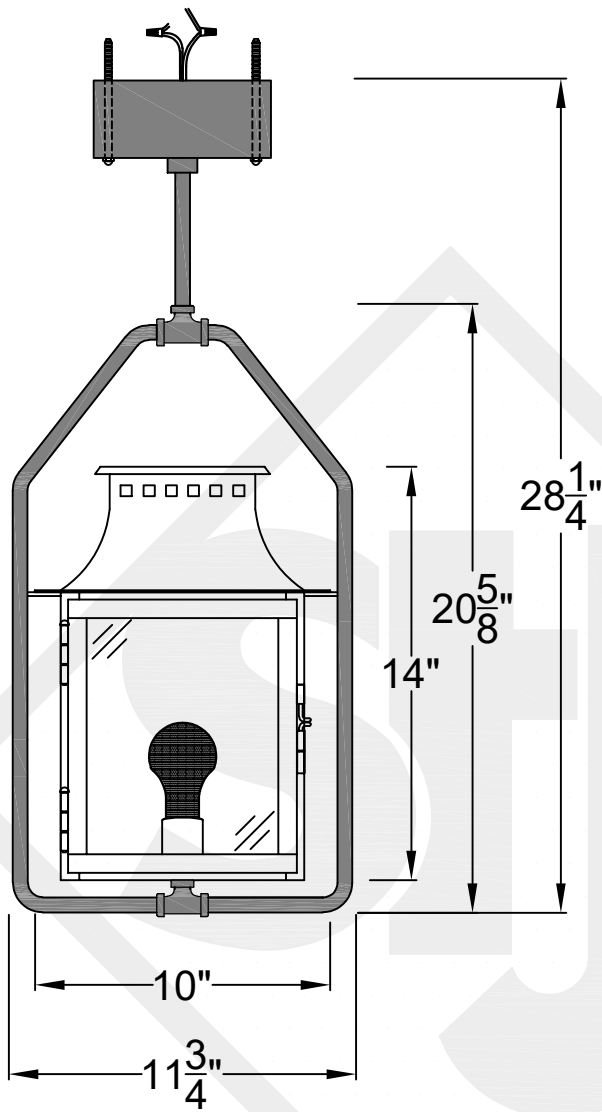
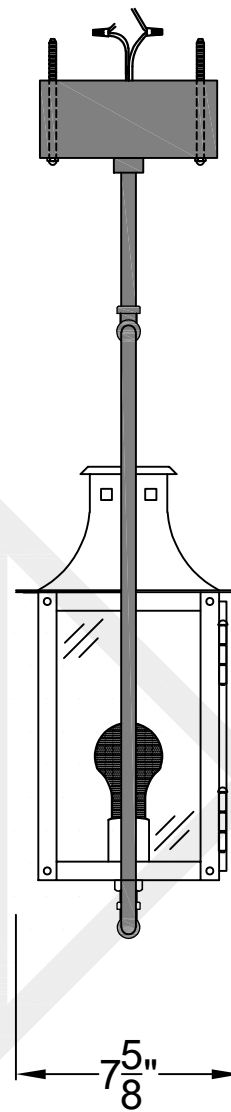


ASPEN MINI CEILING MOUNT FULL YOKE

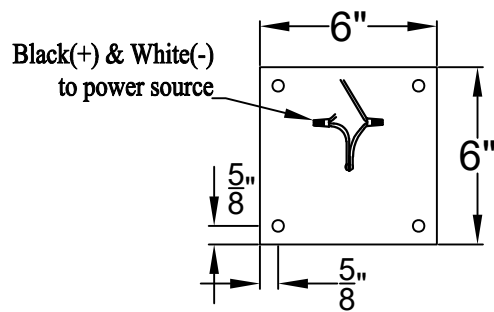
Shortest Height $24\frac{3}{4}$ "



Front View



Side View



Ceiling Mount



St. James
LIGHTING

SCALE: N.T.S.	DRAFT: Y. McCullough
FILE: ASPMINI	APP'D: J. Ragan
JOB: X	DATE: 11/13/23

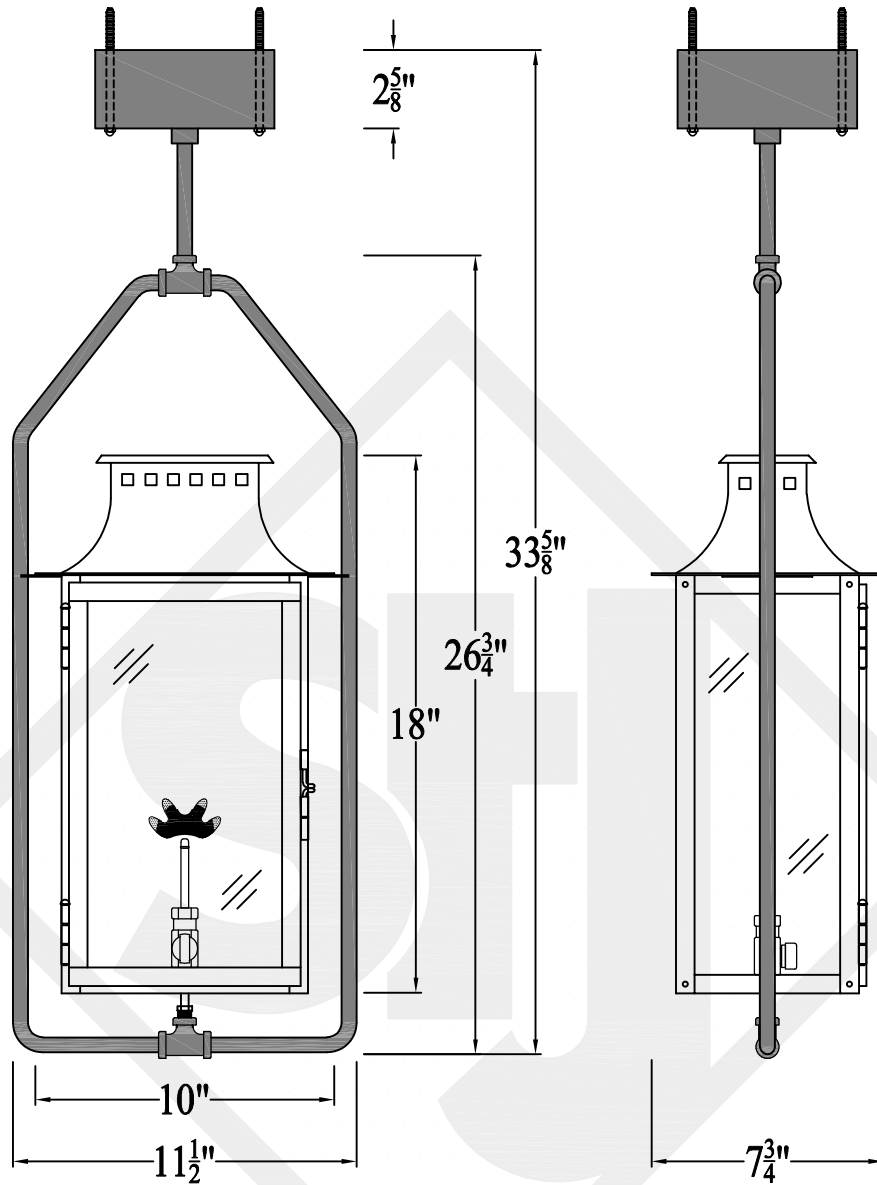
Lights are handcrafted.
Dimensions may vary by 1/4"

UL Certified
Candelabra- Max 60 Watt Bulb
Edison- Max 660 Watt Bulb

Mini not available in gas

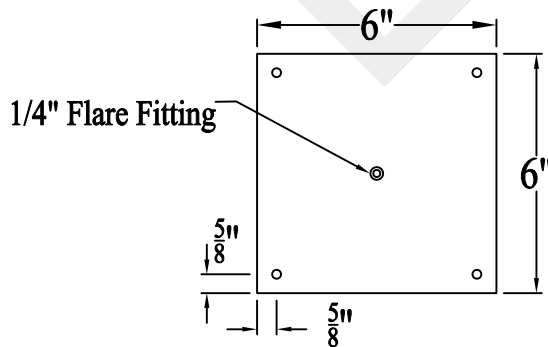
ASPEN SMALL CEILING MOUNT FULL YOKE

Shortest Height 30 $\frac{7}{8}$ "



Front View

Side View



Ceiling Mount



St. James
LIGHTING

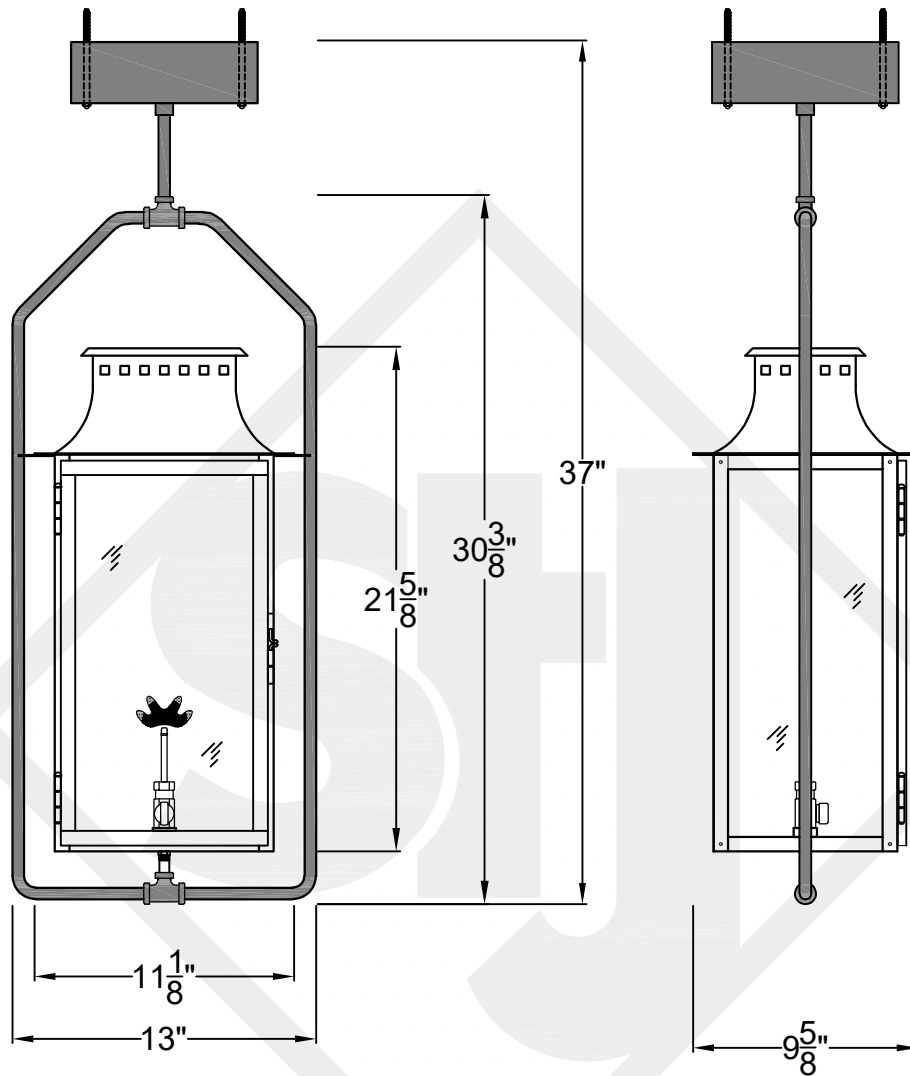
SCALE: N.T.S.	DRAFT: Y. McCullough
FILE: ASPS	APP'D: J. Ragan
JOB: X	DATE: 11/13/23

Lights are handcrafted.
Dimensions may vary by 1/4"

B.T.U. Rating
Natural Gas: 2730 B.T.U.
Propane: 2080 B.T.U.

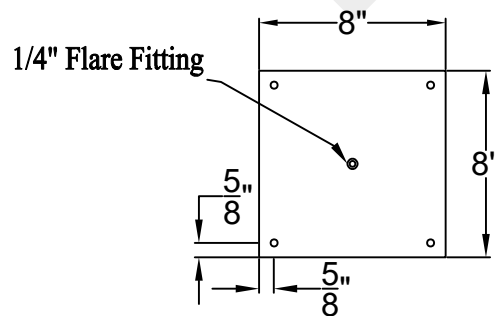
ASPEN MEDIUM CEILING MOUNT FULL YOKE

Shortest Height 34 1/2"



Front View

Side View



Ceiling Mount



St. James
LIGHTING

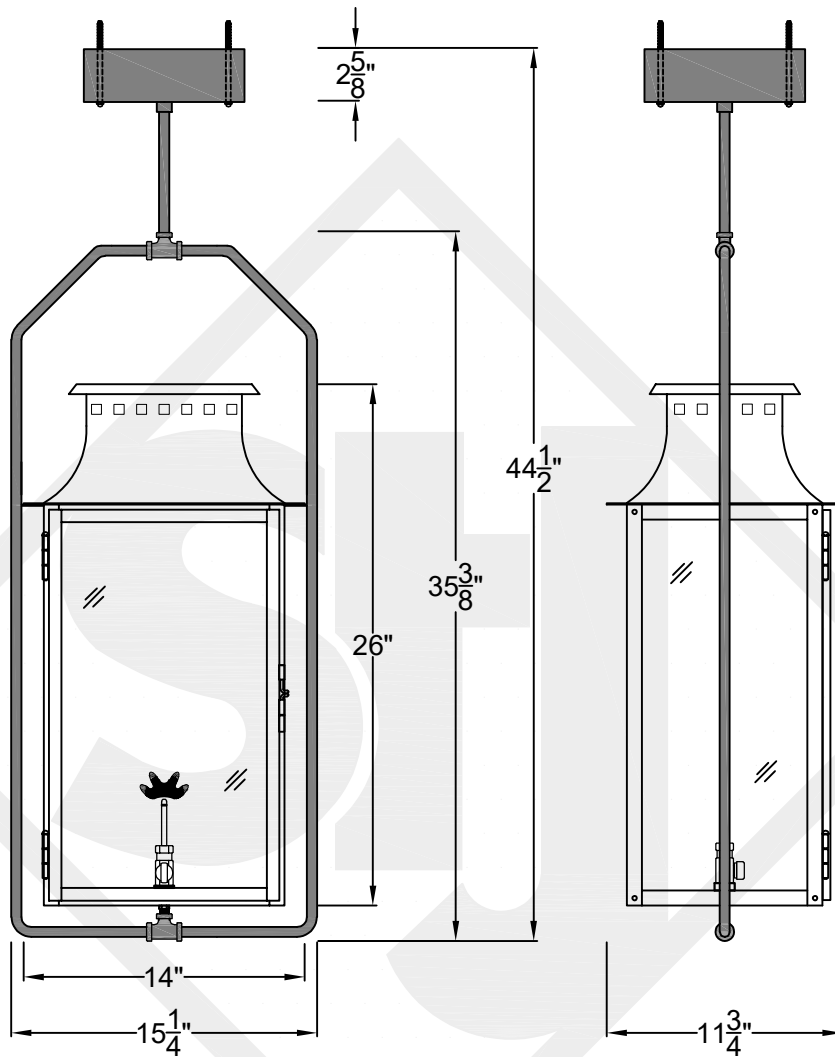
SCALE: N.T.S.	DRAFT: Y. McCullough
FILE: ASPM	APP'D: J. Ragan
JOB: X	DATE: 11/13/23

Lights are handcrafted.
Dimensions may vary by 1/4"

B.T.U. Rating
Natural Gas: 2730 B.T.U.
Propane: 2080 B.T.U.

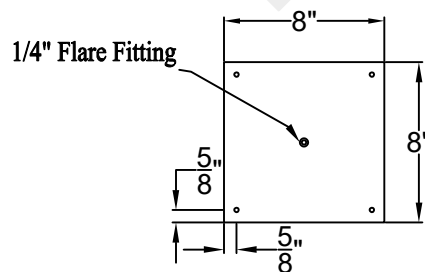
ASPEN LARGE CEILING MOUNT FULL YOKE

Shortest Height 39½"



Front View

Side View



Ceiling Mount



St. James
LIGHTING

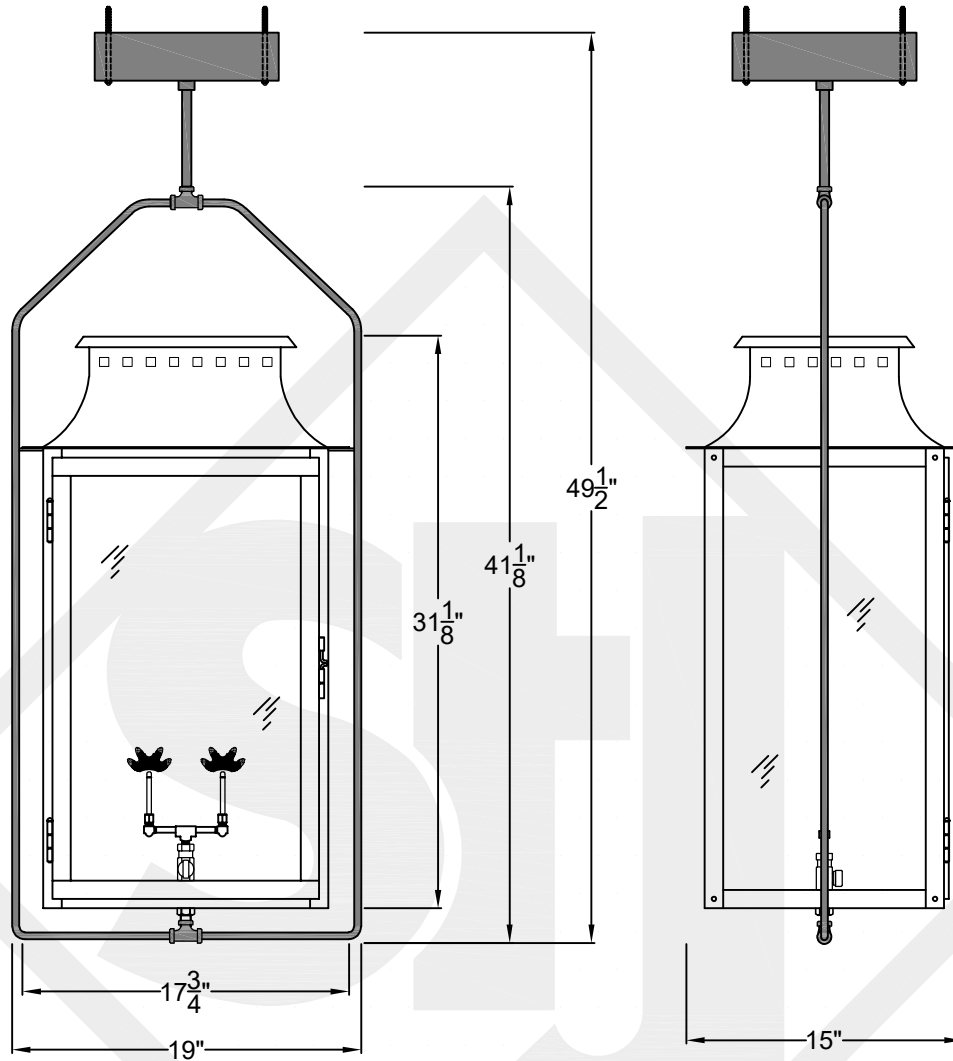
SCALE: N.T.S.	DRAFT: Y. McCullough
FILE: ASPL	APP'D: J. Ragan
JOB: X	DATE: 11/13/23

Lights are handcrafted.
Dimensions may vary by 1/4"

B.T.U. Rating
Natural Gas: 2730 B.T.U.
Propane: 2080 B.T.U.

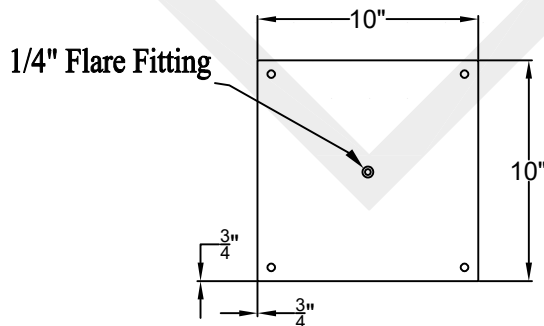
ASPEN GRANDE CEILING MOUNT FULL YOKE

Shortest Height 45 $\frac{1}{4}$ "



Front View

Side View



Ceiling Mount



St. James
LIGHTING

SCALE: N.T.S.	DRAFT: T. Herring
FILE: ASPG	APP'D: J. Ragan
JOB: X	DATE: 4-10-2023

Lights are handcrafted.
Dimensions may vary by 1/4"

B.T.U. Rating
Natural Gas: 5460 B.T.U.
Propane: 4160 B.T.U.