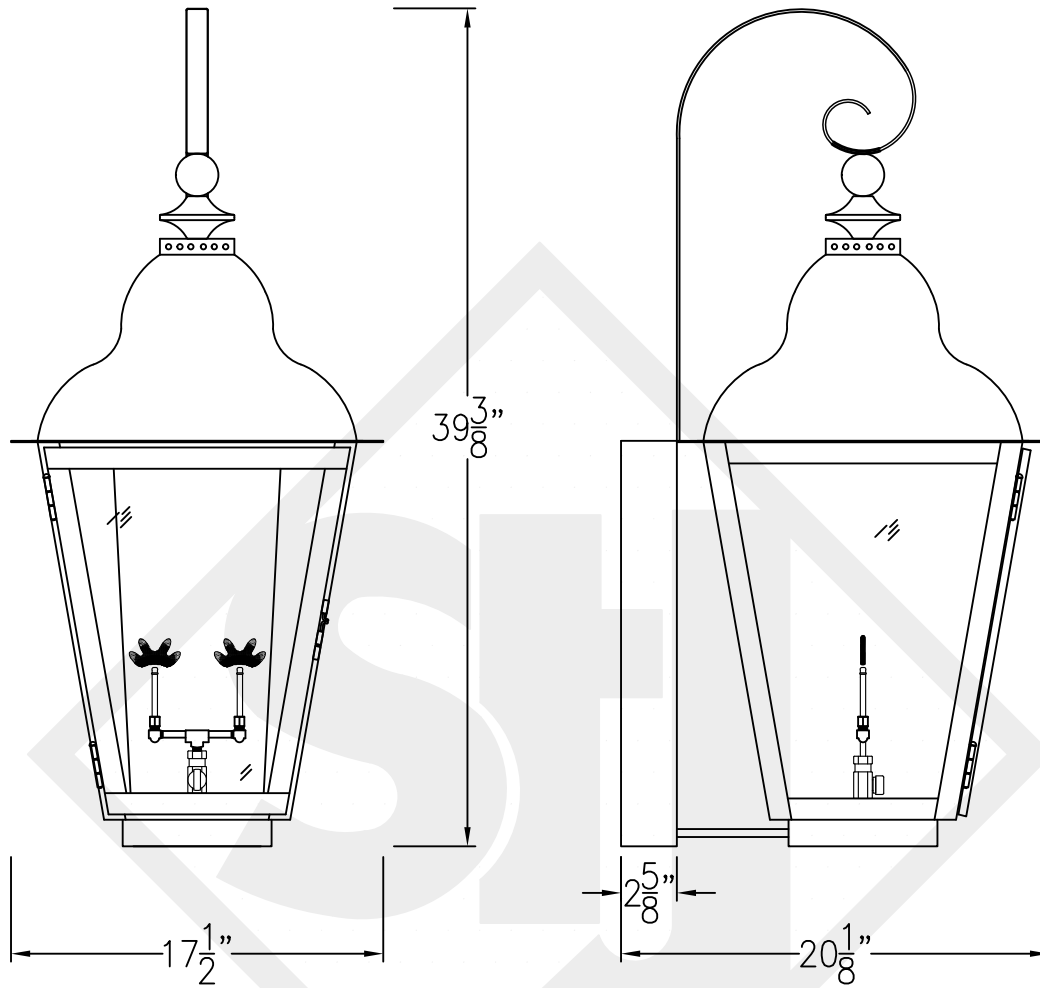
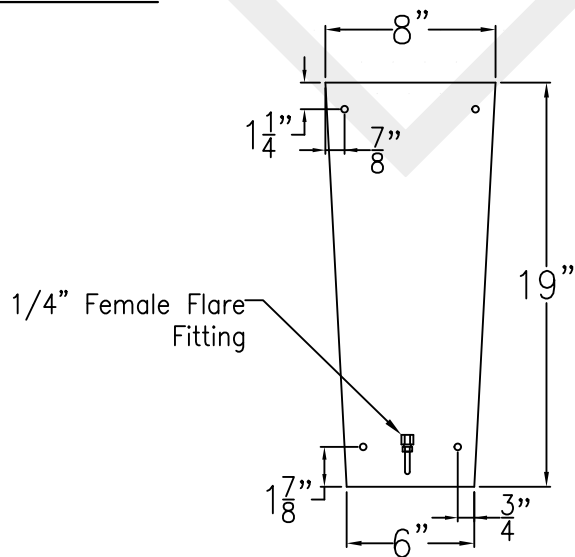


BRUNSWICK GRANDE COPPER WALL BRACKET



Front View

Side View

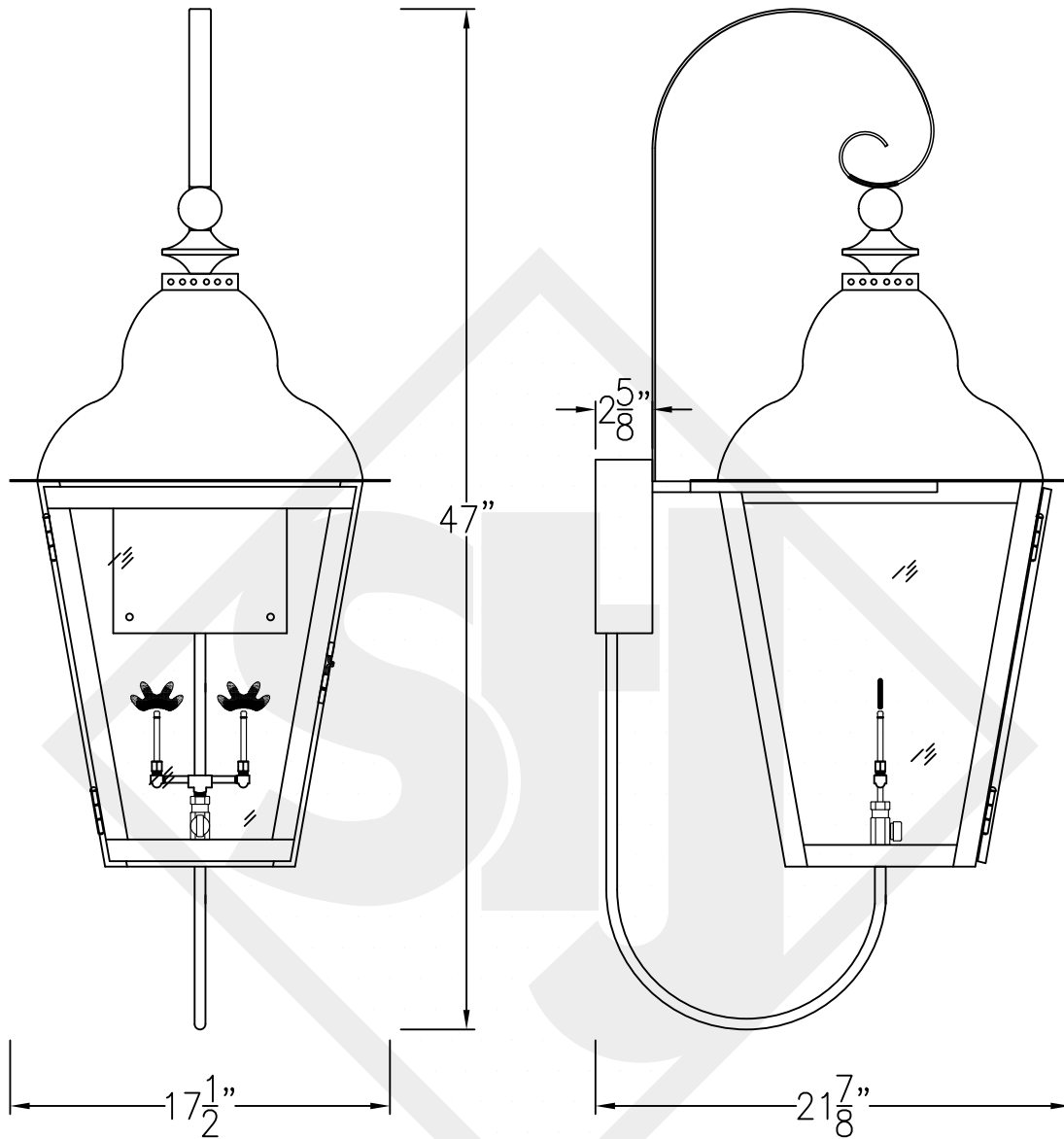


Backplate

Lights are hand crafted
Dimensions may vary by 1/4"

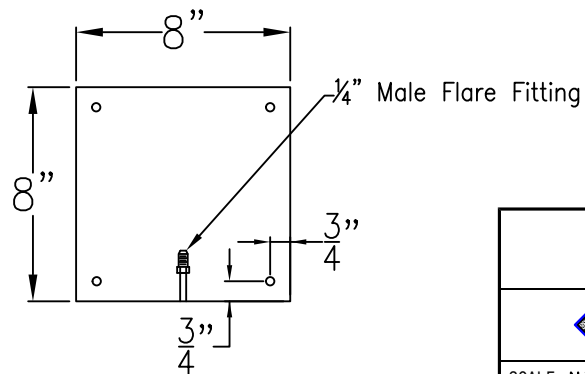
Brunswick Grande Copper Wall Bracket	
St. James LIGHTING	
SCALE: N.T.S.	DRAFT: B. Vial
FILE: BRUG	APP'D: J. Ragan
JOB: X	DATE: 9/6/17

BRUNSWICK GRANDE STEEL WALL BRACKET



Front View

Side View

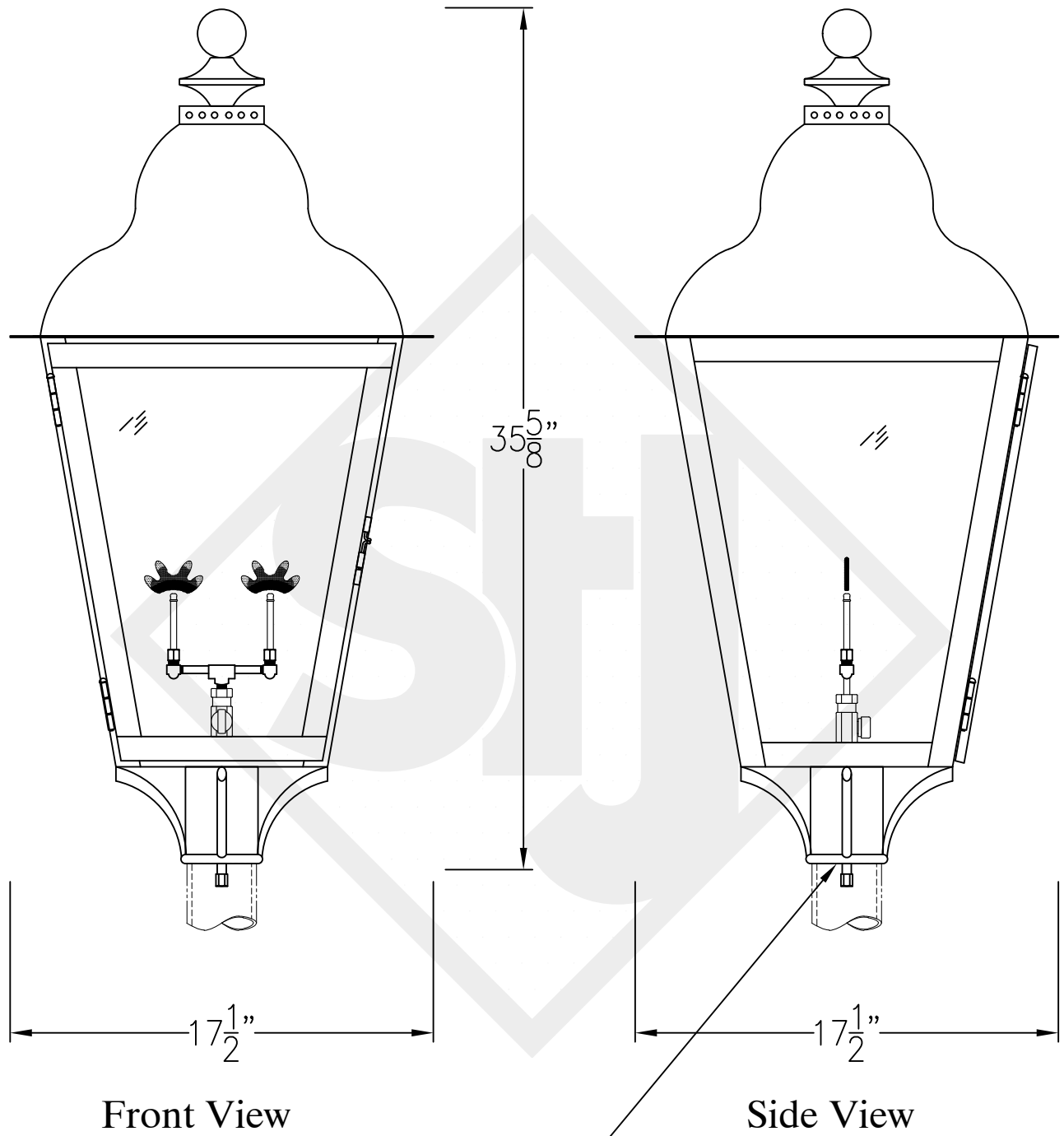


Backplate

Lights are hand crafted
Dimensions may vary by 1/4"


Brunswick Grande Steel Wall Bracket	
St. James LIGHTING	
SCALE: N.T.S.	DRAFT: B. Vial
FILE: BRUG	APP'D: J. Ragan
JOB: X	DATE: 9/6/17

BRUNSWICK GRANDE COPPER POST MOUNT



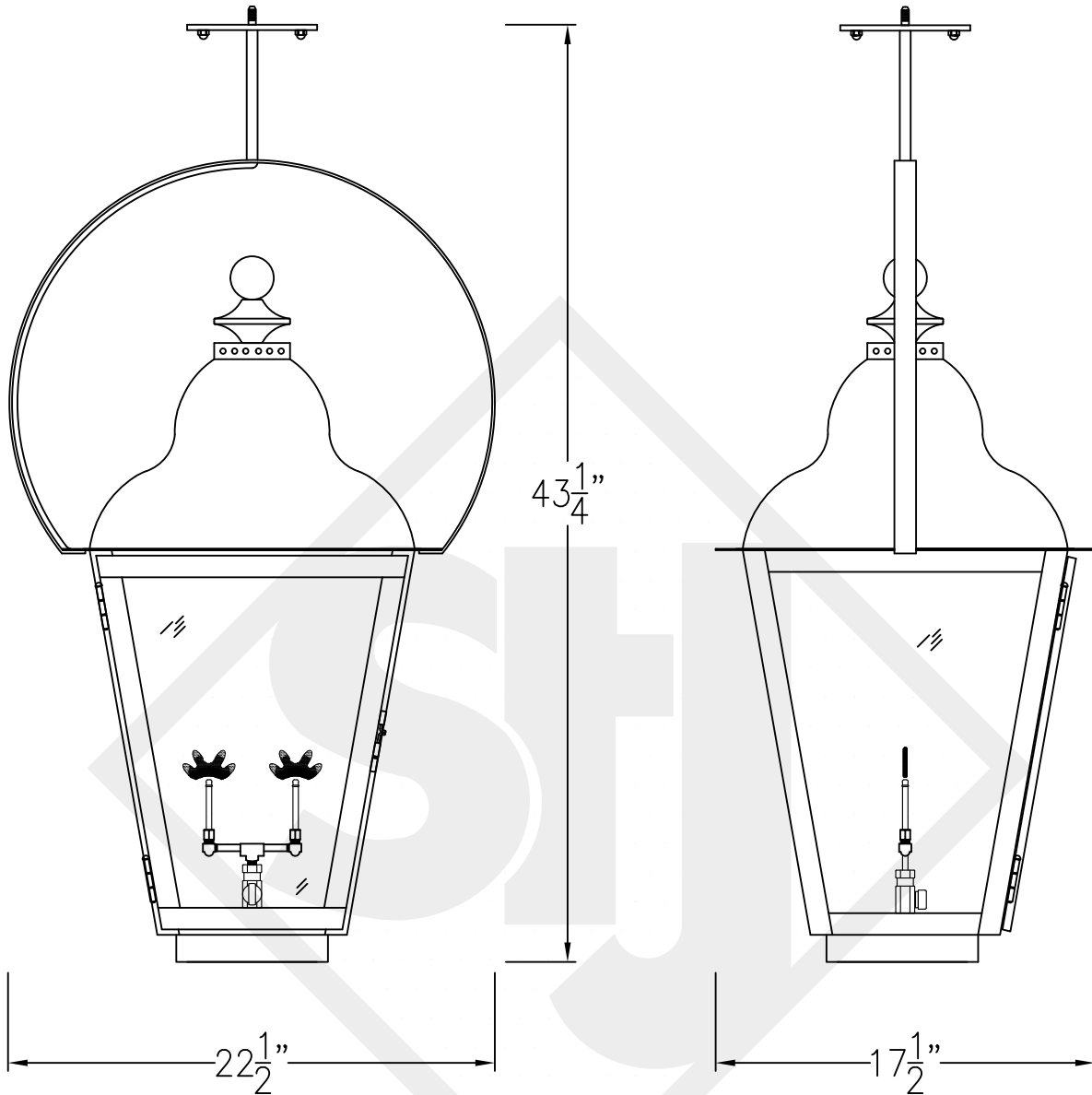
Fits over 3" post
1/4" Female Flare
Fitting

Lights are hand crafted
Dimensions may vary by 1/4"

Brunswick Grande Copper Post Mount	
 St. James LIGHTING	
SCALE: N.T.S.	DRAFT: B. Vial
FILE: BRUG	APP'D: J. Ragan
JOB: X	DATE: 9/7/17

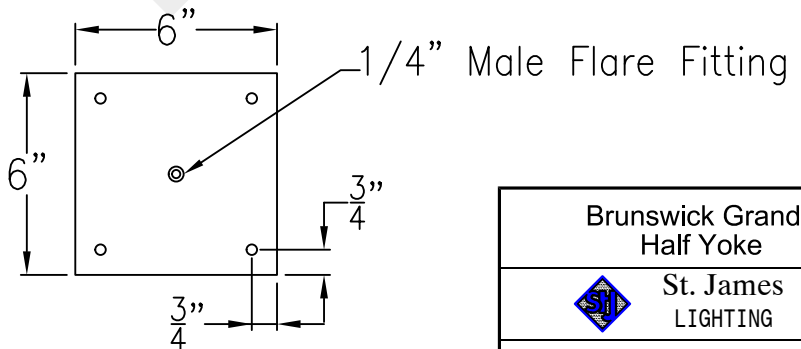
BRUNSWICK GRANDE CEILING HALF YOKE

Shortest Height 40 $\frac{5}{8}$ "



Front View

Side View



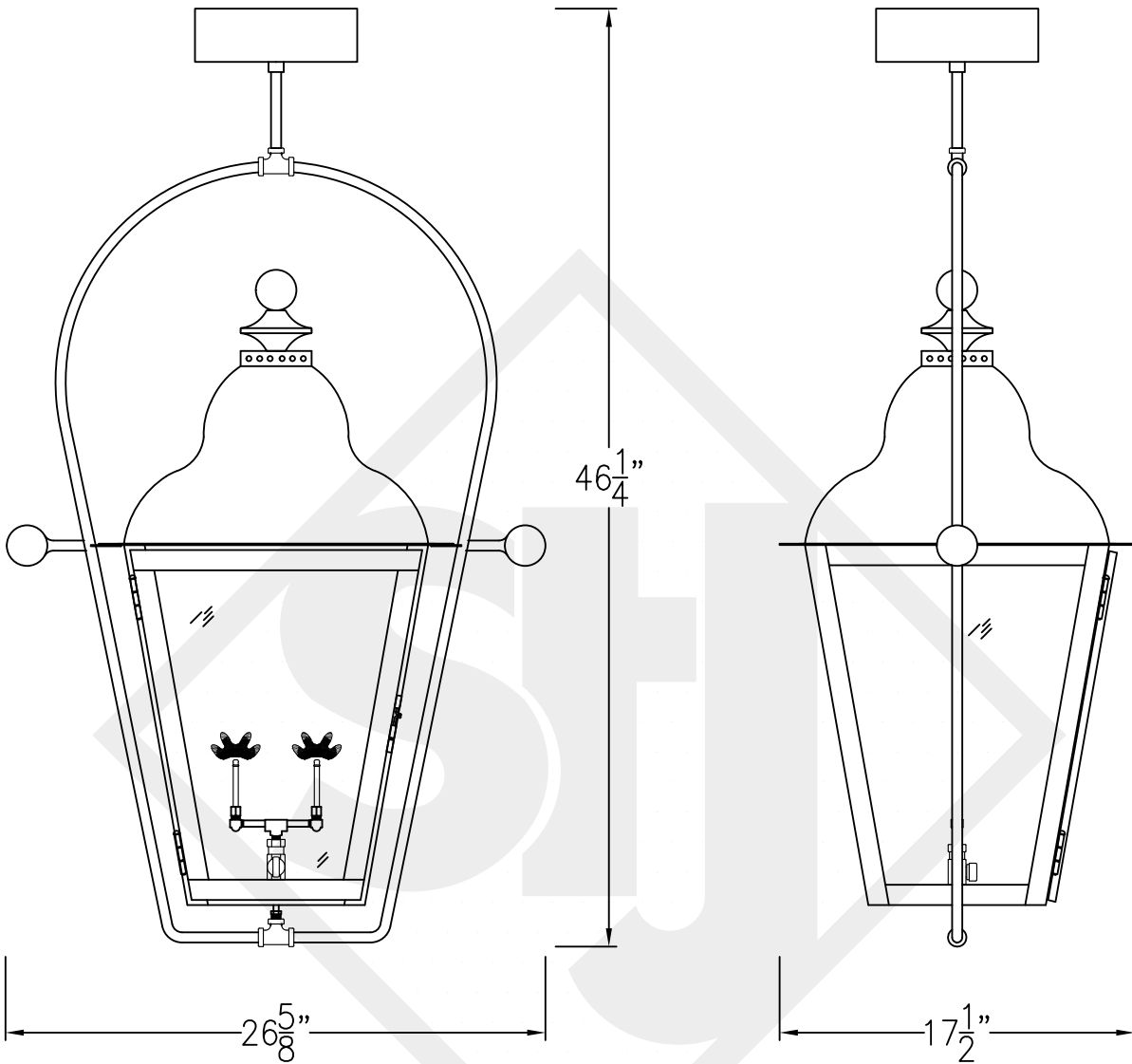
Ceiling Mount

Lights are hand crafted
Dimensions may vary by 1/4"

Brunswick Grande Half Yoke	
St. James LIGHTING	
SCALE: N.T.S.	DRAFT: B. Vial
FILE: BRUG	APP'D: J. Ragan
JOB: X	DATE: 9/6/17

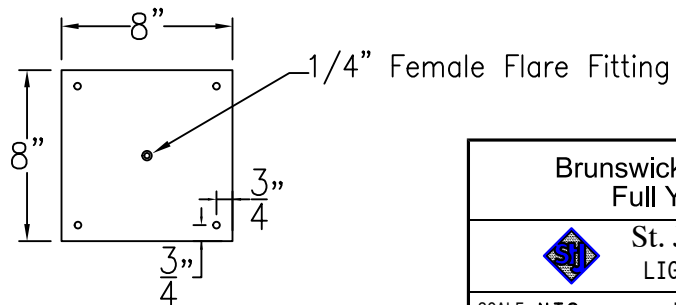
BRUNSWICK GRANDE CEILING FULL YOKE

Shortest Height 41 $\frac{3}{8}$ "



Front View

Side View



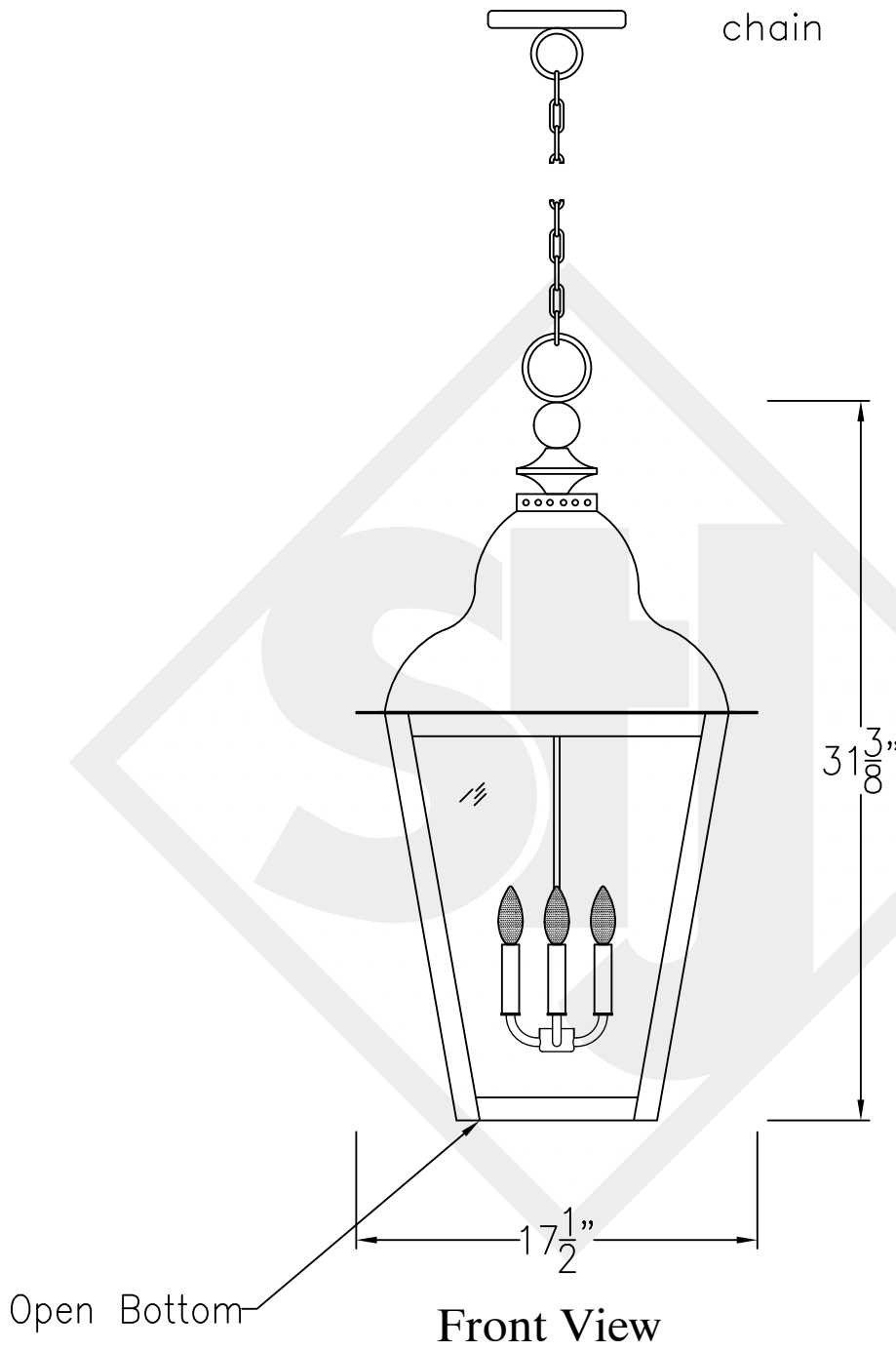
Ceiling Mount

Lights are hand crafted
Dimensions may vary by 1/4"


Brunswick Grande Full Yoke	
St. James LIGHTING	
SCALE: N.T.S.	DRAFT: B. Vial
FILE: BRUG	APP'D: J. Ragan
JOB: X	DATE: 9/6/17

BRUNSWICK GRANDE CHAIN HUNG PENDANT

Comes standard w/ 6' of chain



Lights are hand crafted
Dimensions may vary by 1/4"

Brunswick Grande Chain Hung Pendant	
 St. James LIGHTING	
SCALE: N.T.S.	DRAFT: B. Vial
FILE: BRUG	APP'D: J. Ragan
JOB: X	DATE: 9/6/17