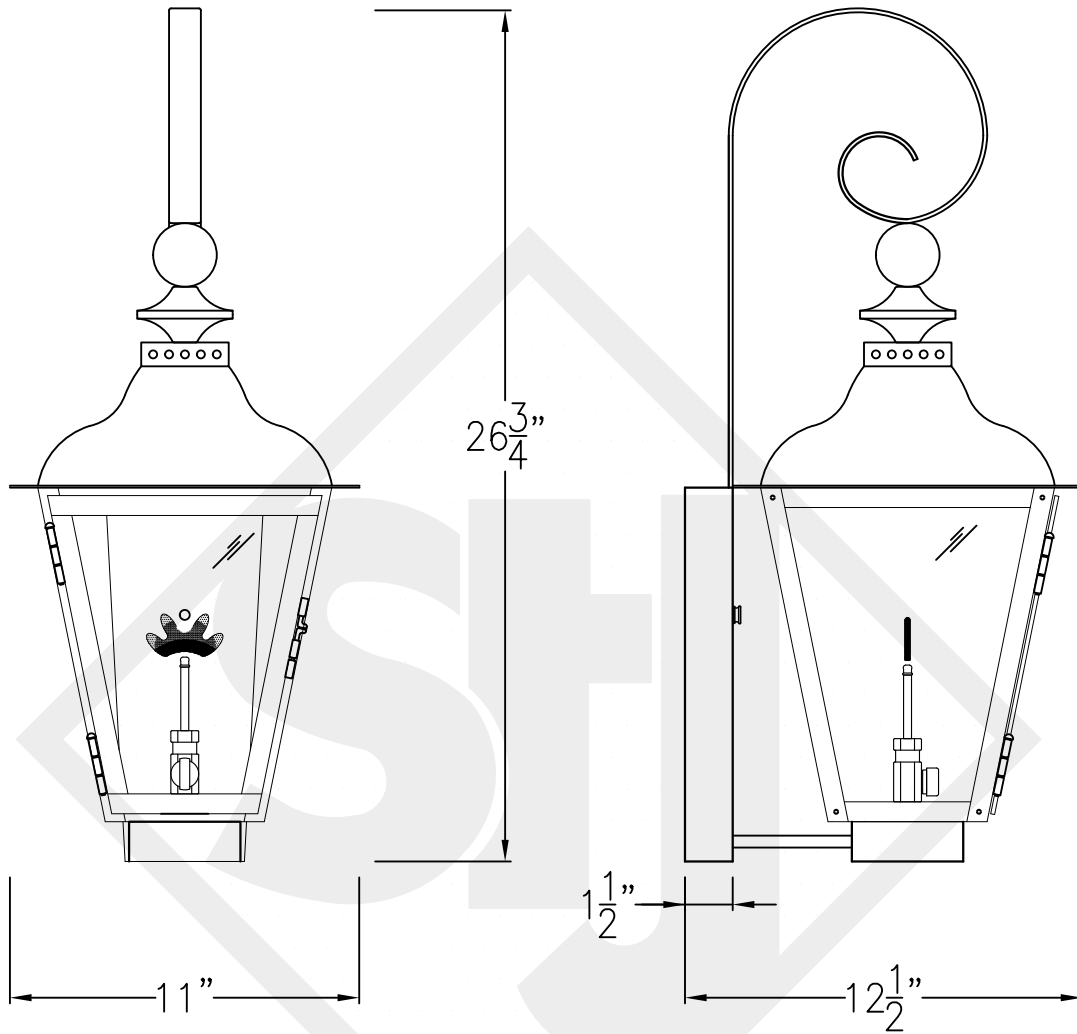
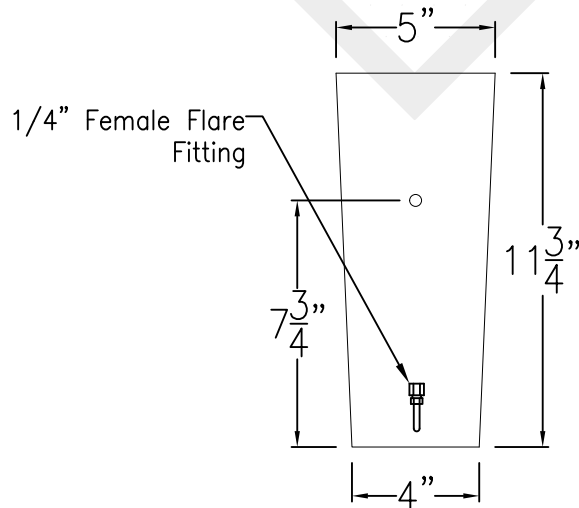


# BRUNSWICK SMALL COPPER WALL BRACKET



Front View

Side View

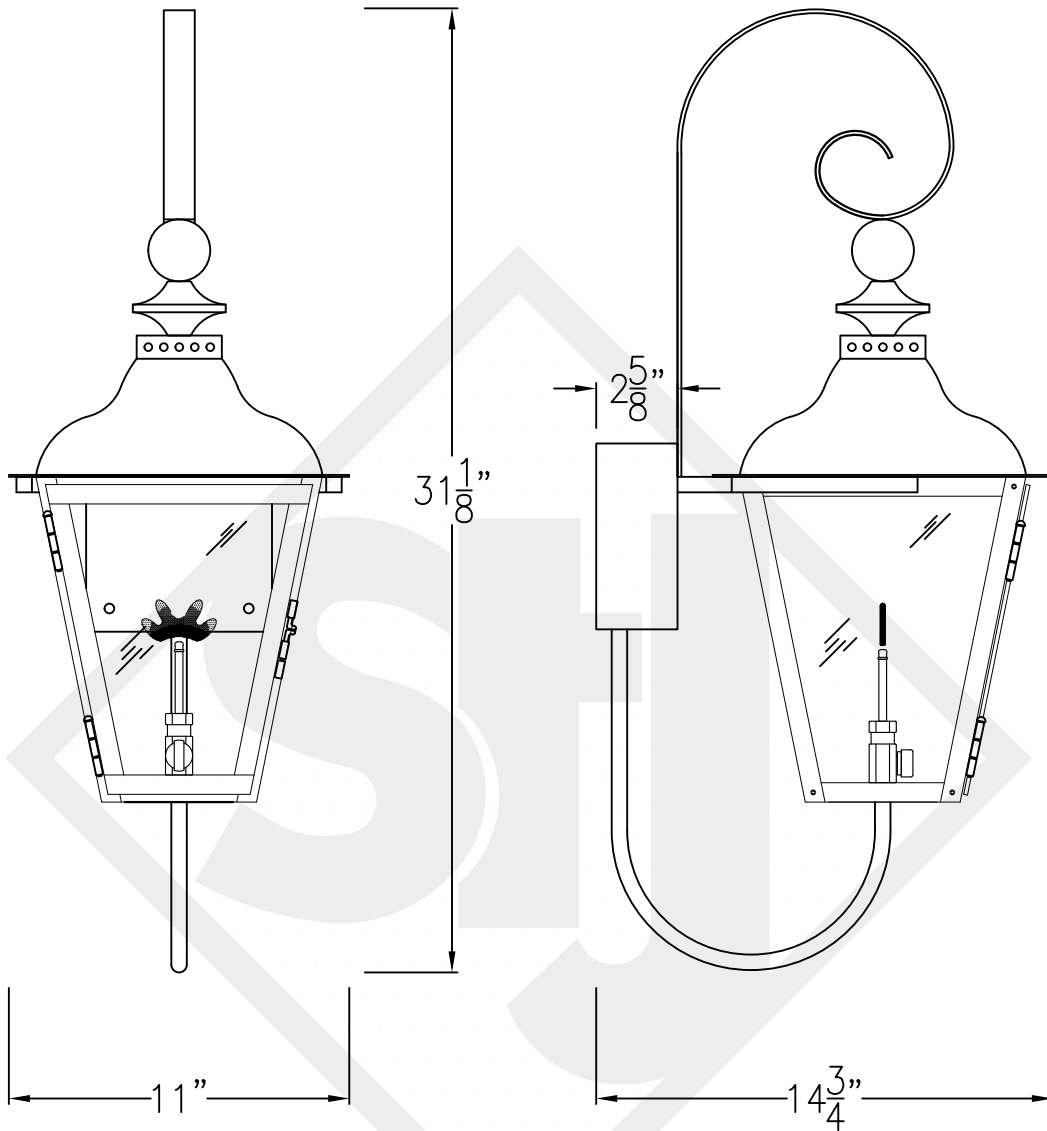


Backplate

Lights are hand crafted  
Dimensions may vary by 1/4"

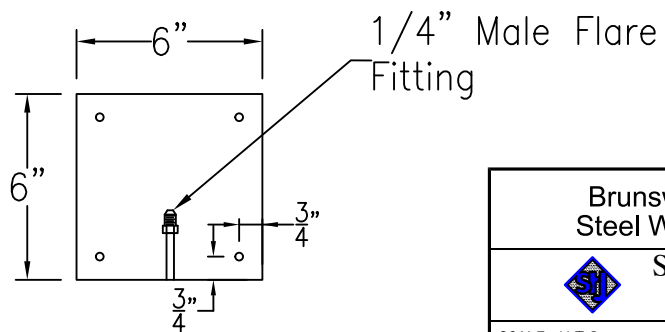
Brunswick Small Copper Wall Bracket	
<b>St. James LIGHTING</b>	
SCALE: N.T.S.	DRAFT: B. Vial
FILE: BRUS	APP'D: J. Ragan
JOB: X	DATE: 9/6/17

# BRUNSWICK SMALL STEEL WALL BRACKET



Front View

Side View

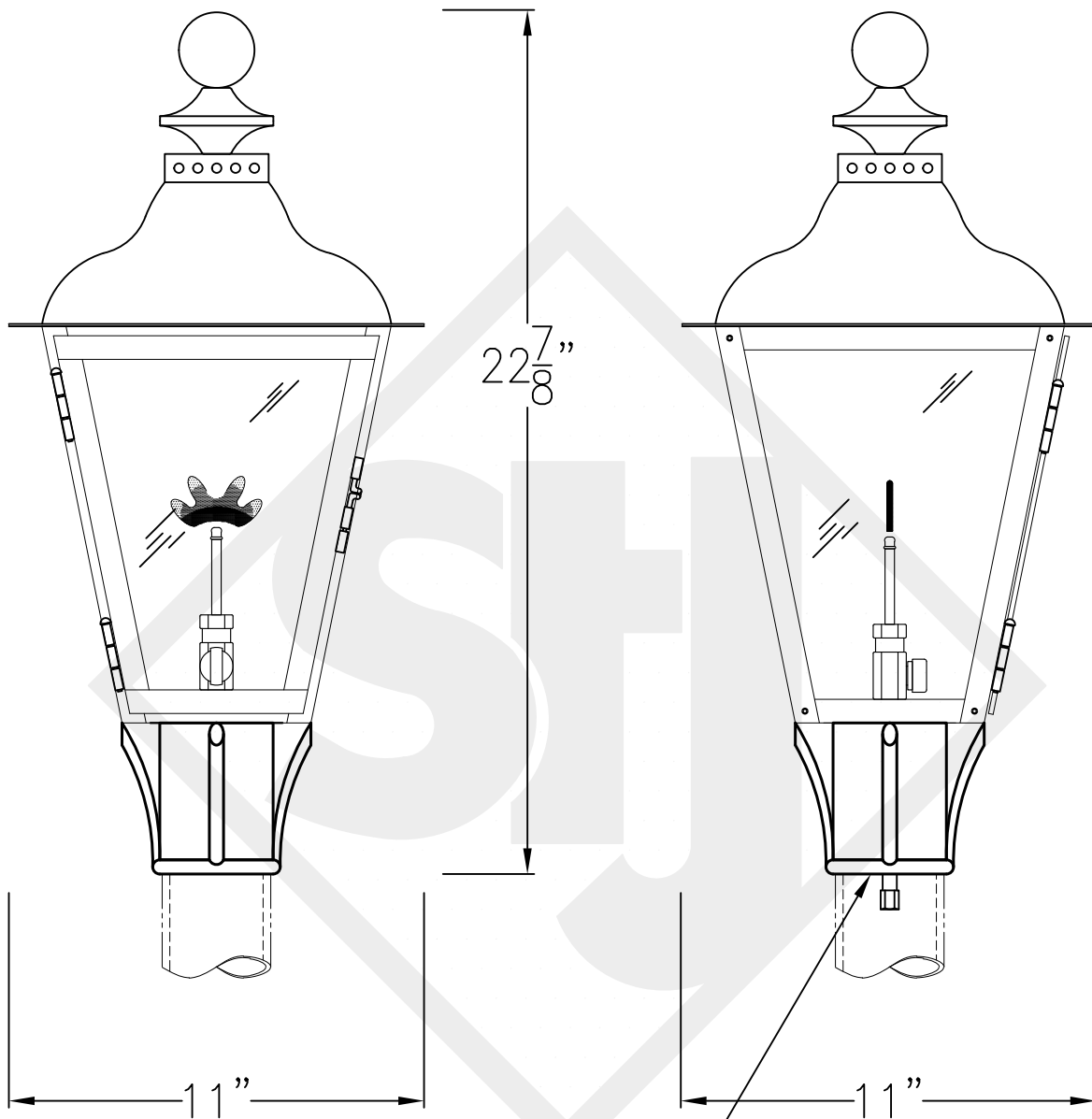


Backplate

Lights are hand crafted  
Dimensions may vary by  $\frac{1}{4}$ "

Brunswick Small Steel Wall Bracket	
St. James LIGHTING	
SCALE: N.T.S.	DRAFT: B. Vial
FILE: BRUS	APP'D: J. Ragan
JOB: X	DATE: 9/6/17

# BRUNSWICK SMALL COPPER POST MOUNT




Front View

Side View

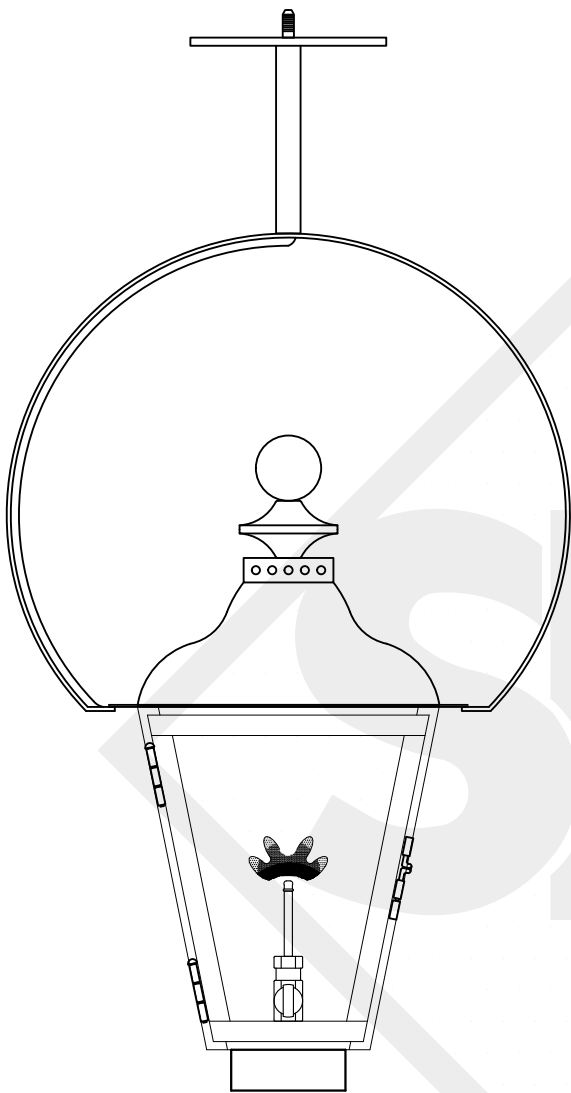
Fits over 3" post  
1/4" Female Flare Fitting

Lights are hand crafted  
Dimensions may vary by 1/4"

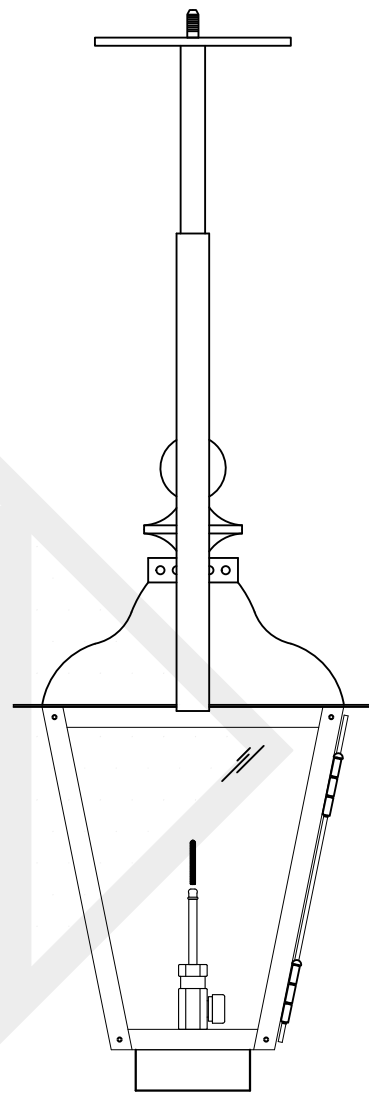
Brunswick Small Copper Post Mount	
 St. James LIGHTING	
SCALE: N.T.S.	DRAFT: B. Vial
FILE: BRUS	APP'D: J. Ragan
JOB: X	DATE: 9/6/17

# BRUNSWICK SMALL w/ HALF (CEILING) YOKE

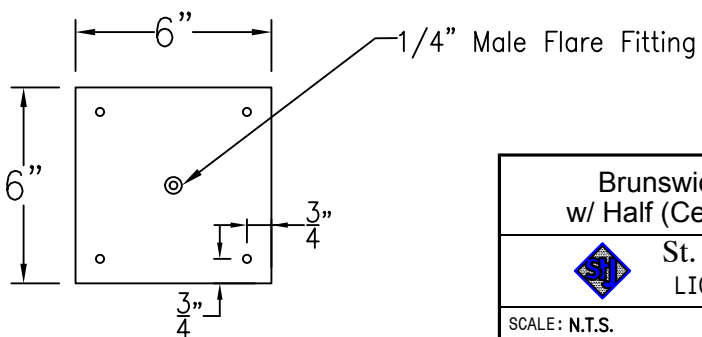
Shortest Height 28  $\frac{3}{8}$ "



Front View



Side View



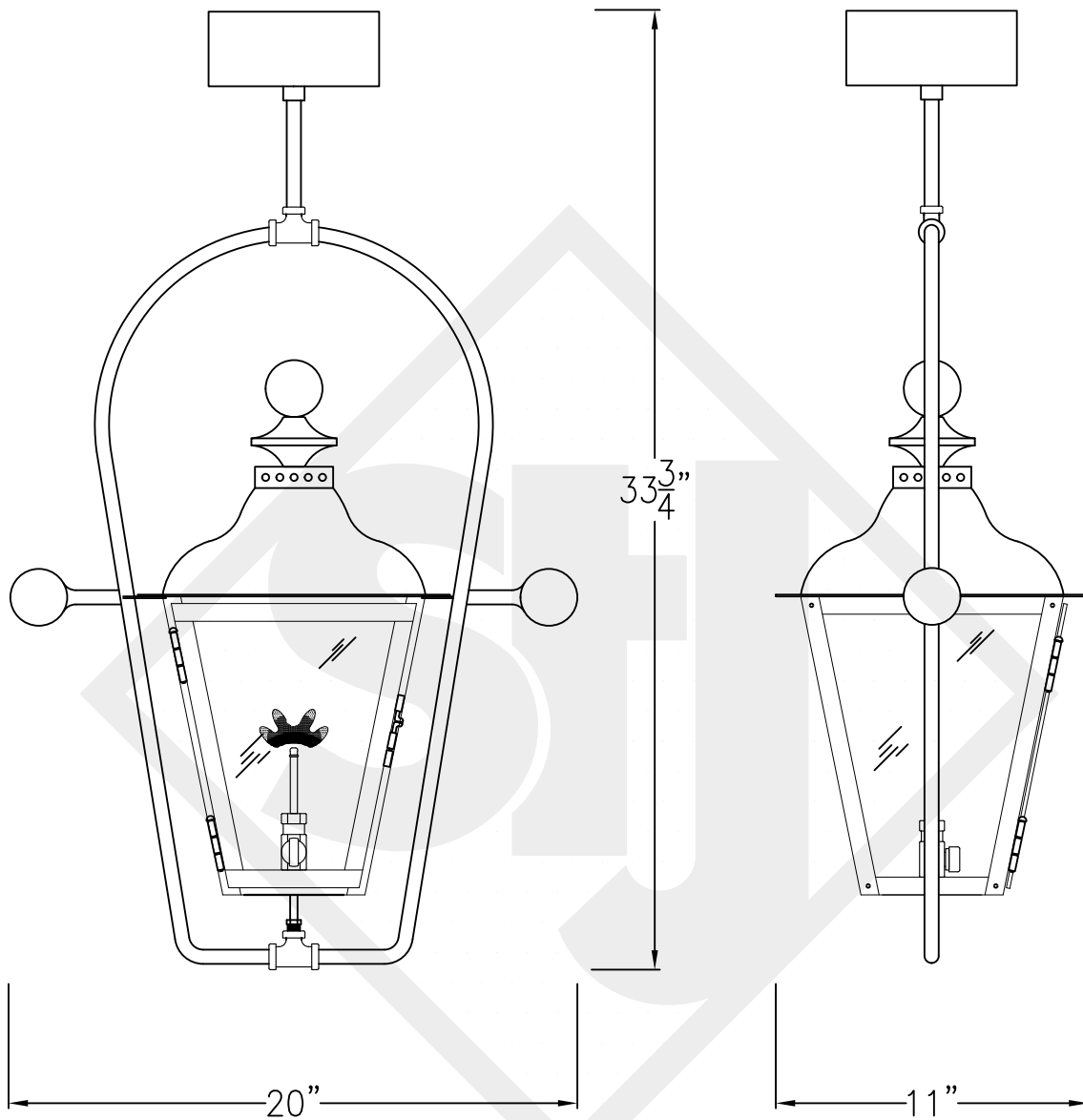
Ceiling Mount

Lights are hand crafted  
Dimensions may vary by 1/4"

Brunswick Small w/ Half (Ceiling) Yoke	
<b>St. James LIGHTING</b>	
SCALE: N.T.S.	DRAFT: B. Vial
FILE: BRUS	APP'D: J. Ragan
JOB: X	DATE: 9/6/17

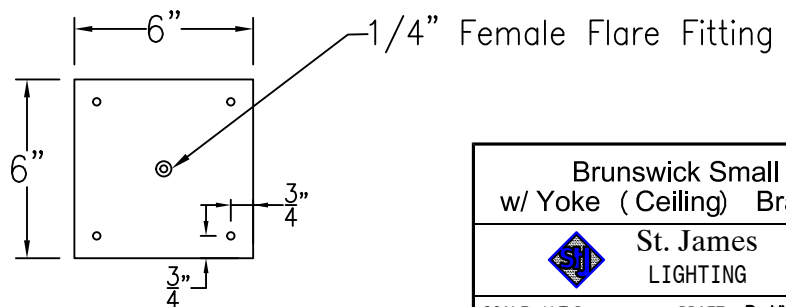
# BRUNSWICK SMALL w/ YOKE (CEILING) BRACKET

Shortest Height 29 3/4"



Front View

Side View

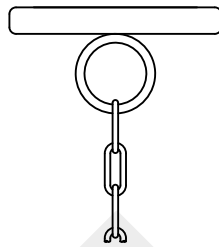


Ceiling Mount

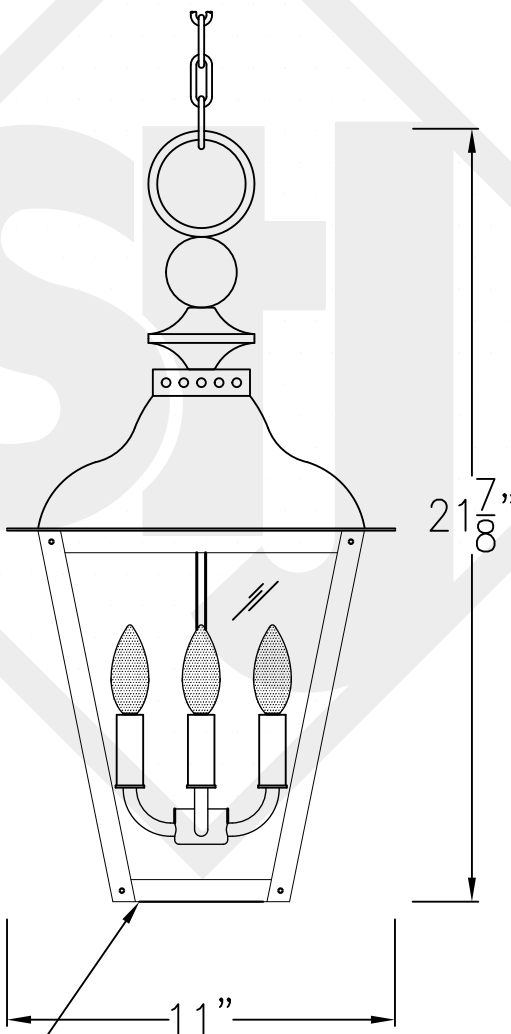
Lights are hand crafted  
Dimensions may vary by 1/4"

Brunswick Small w/ Yoke (Ceiling) Bracket	
<b>St. James LIGHTING</b>	
SCALE: N.T.S.	DRAFT: B. Vial
FILE: BRUS	APP'D: J. Ragan
JOB: X	DATE: 9/6/17

# BRUNSWICK SMALL w/ CHAIN HUNG PENDANT




Comes standard w/ 6' of chain



Open Bottom Front View

Lights are hand crafted  
Dimensions may vary by 1/4"

Brunswick Small w/ Chain Hung Pendant	
 St. James LIGHTING	
SCALE: N.T.S.	DRAFT: B. Vial
FILE: BRUS	APP'D: J. Ragan
JOB: X	DATE: 9/6/17