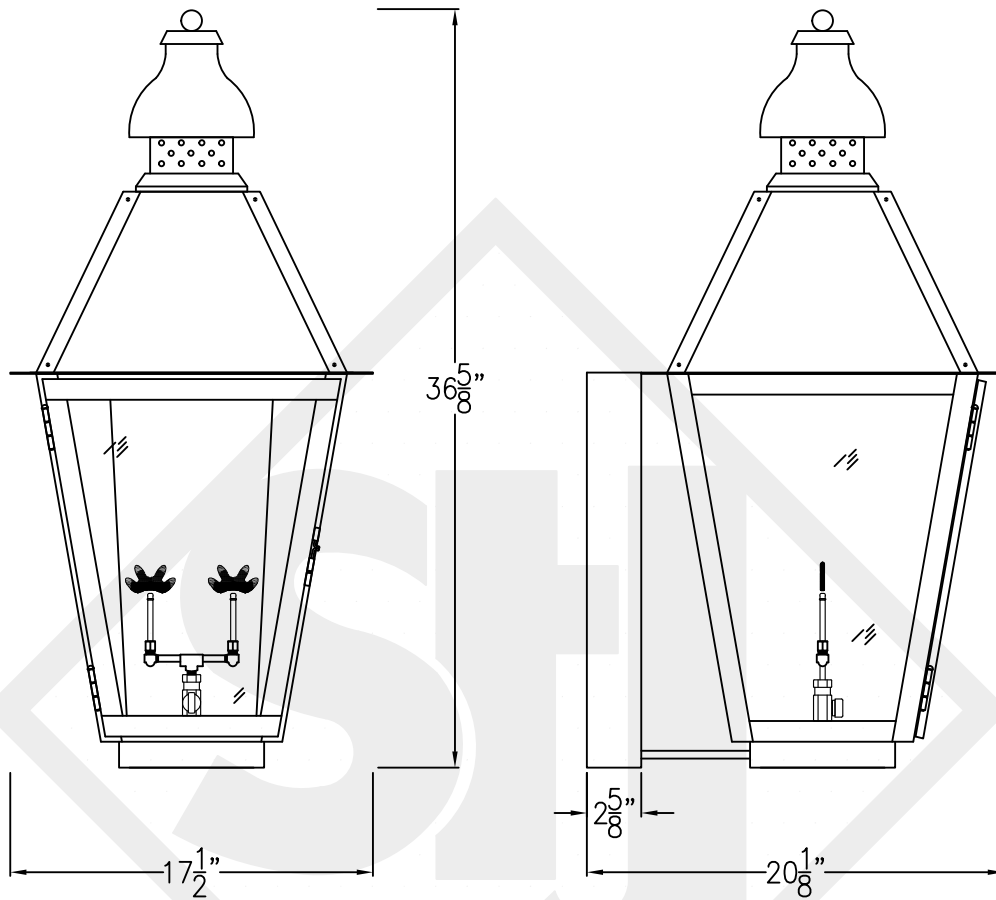


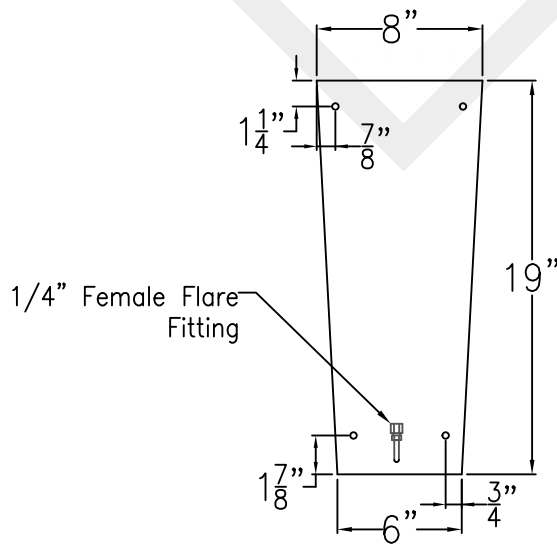
LOGAN GRANDE COPPER WALL MOUNT

Available w/ Solid or Glass Top



Front View

Side View



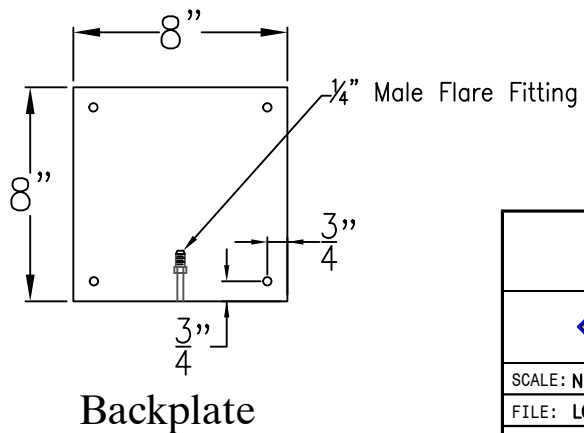
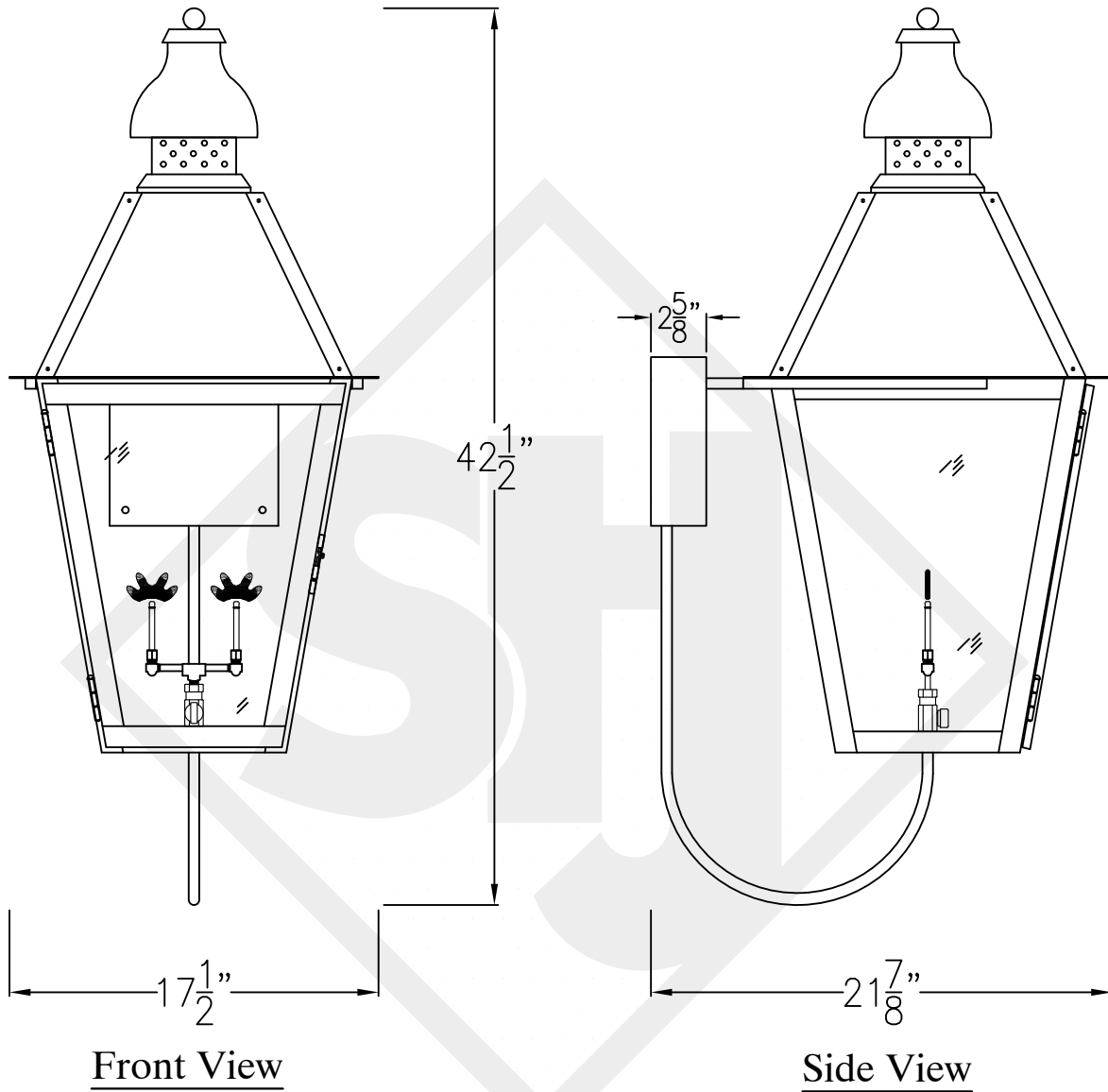
Backplate

Lights are hand crafted
Dimensions may vary by 1/4"


| | |
|-----------------------------------|-----------------|
| Logan Grande Copper Wall Mount | |
| St. James LIGHTING | |
| SCALE: N.T.S. | DRAFT: B. Vial |
| FILE: LOGG | APP'D: J. Ragan |
| JOB: X | DATE: 9/13/17 |

LOGAN GRANDE STEEL WALL MOUNT

Available w/ Solid or Glass Top

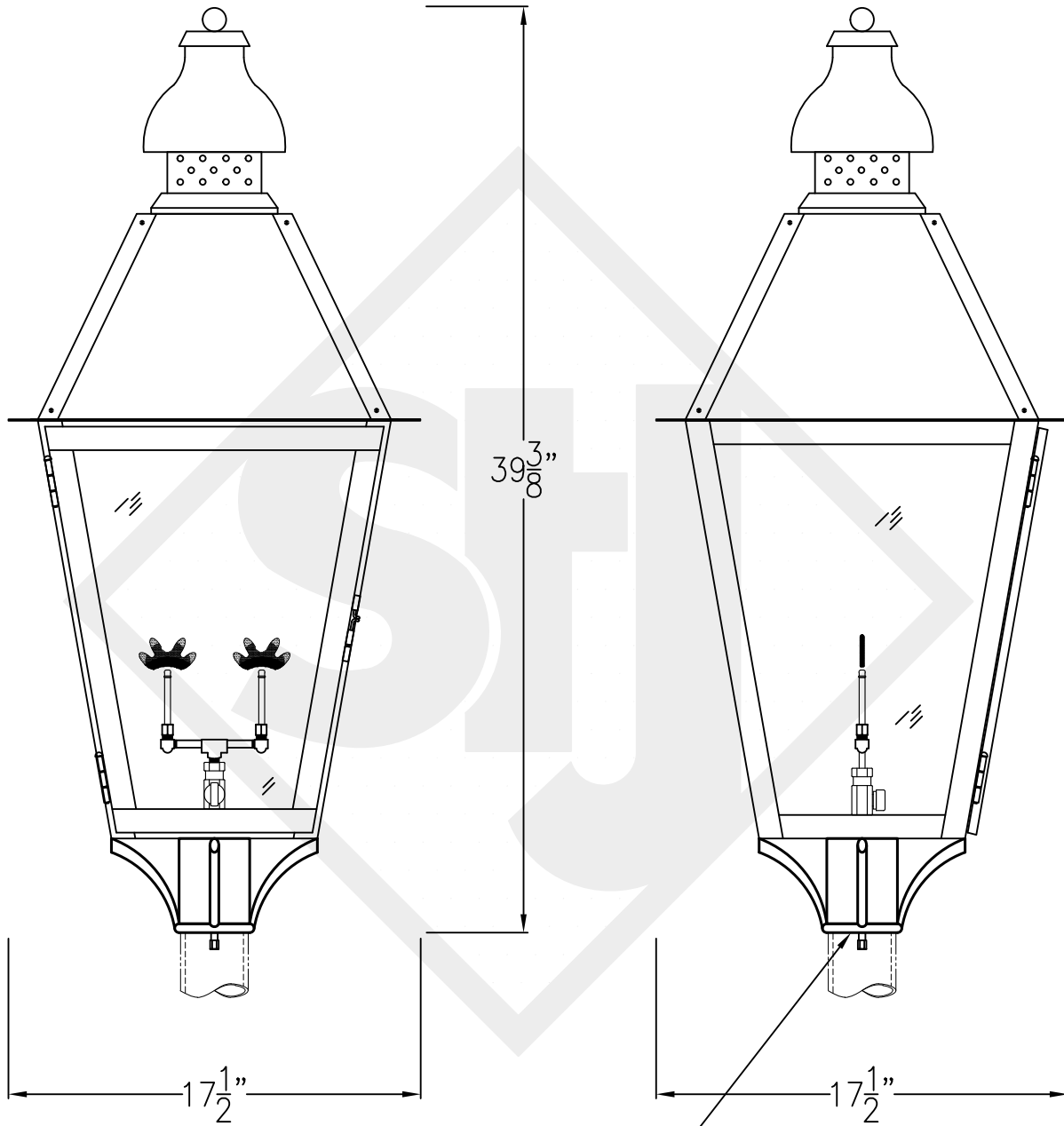


Lights are hand crafted
Dimensions may vary by $\frac{1}{4}$ "

| | |
|---|-----------------|
| Logan Grande Steel Wall Mount | |
|  St. James LIGHTING | |
| SCALE: N.T.S. | DRAFT: B. Vial |
| FILE: LOGG | APP'D: J. Ragan |
| JOB: X | DATE: 9/13/17 |

LOGAN GRANDE COPPER POST

Available w/ Solid or Glass Top




Front View

Side View

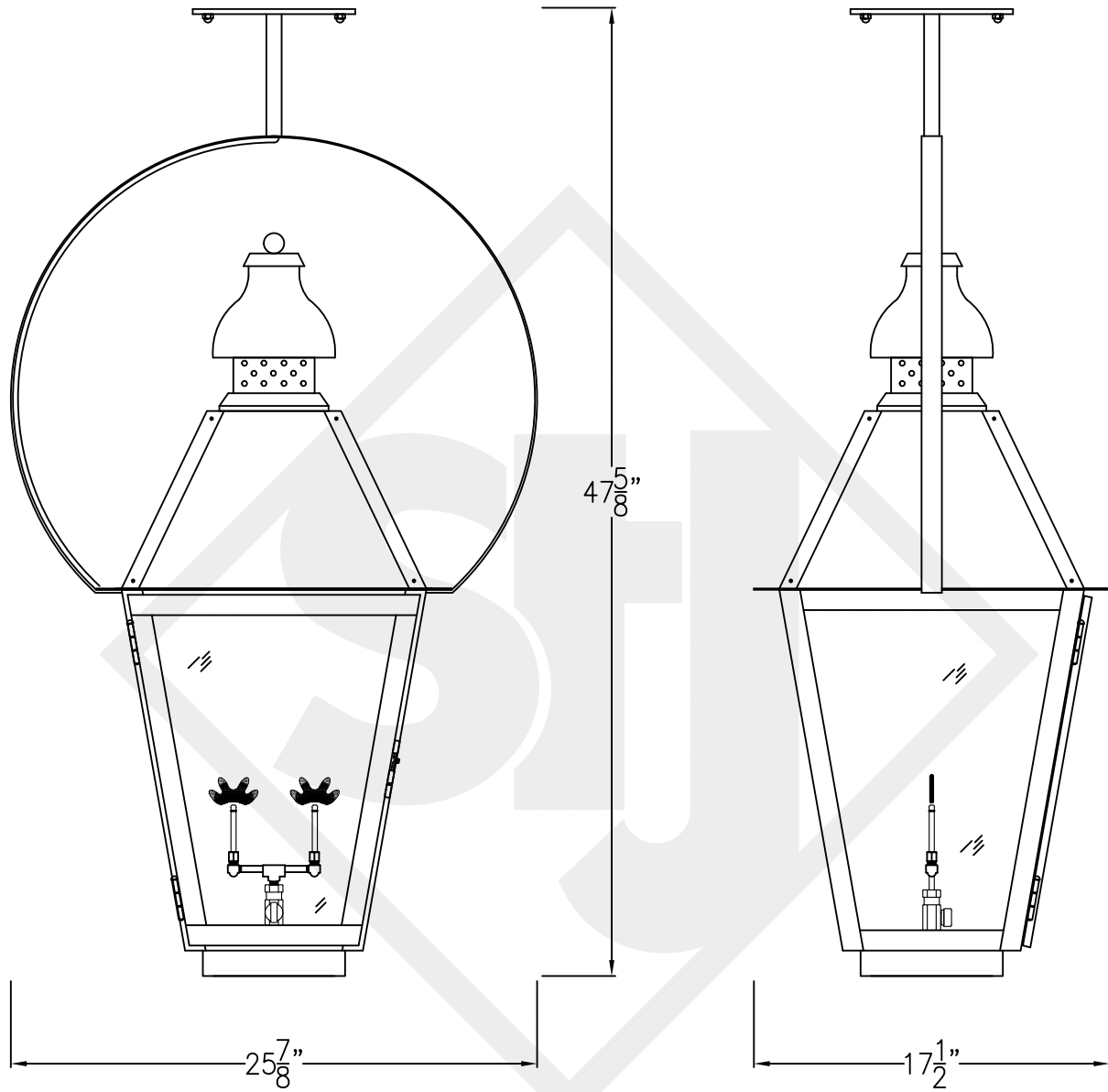
Fits over 3' Post
1/4" Female Flare Fitting

Lights are hand crafted
Dimensions may vary by 1/4"

| | |
|---|-----------------|
| Logan Grande Copper Post | |
|  St. James LIGHTING | |
| SCALE: N.T.S. | DRAFT: B. Vial |
| FILE: LOGG | APP'D: J. Ragan |
| JOB: X | DATE: 9/13/17 |

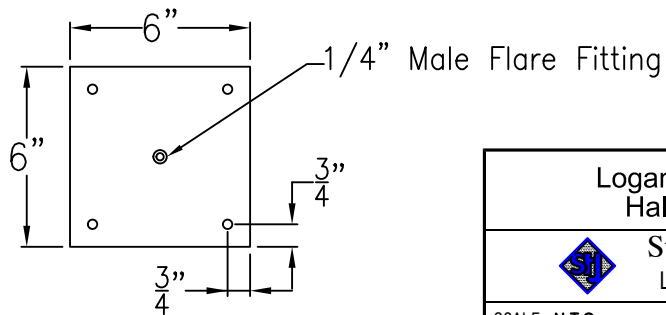
LOGAN GRANDE HALF YOKE

Available w/ Solid or
Glass Top
Shortest Height 47 $\frac{5}{8}$ "



Front View

Side View



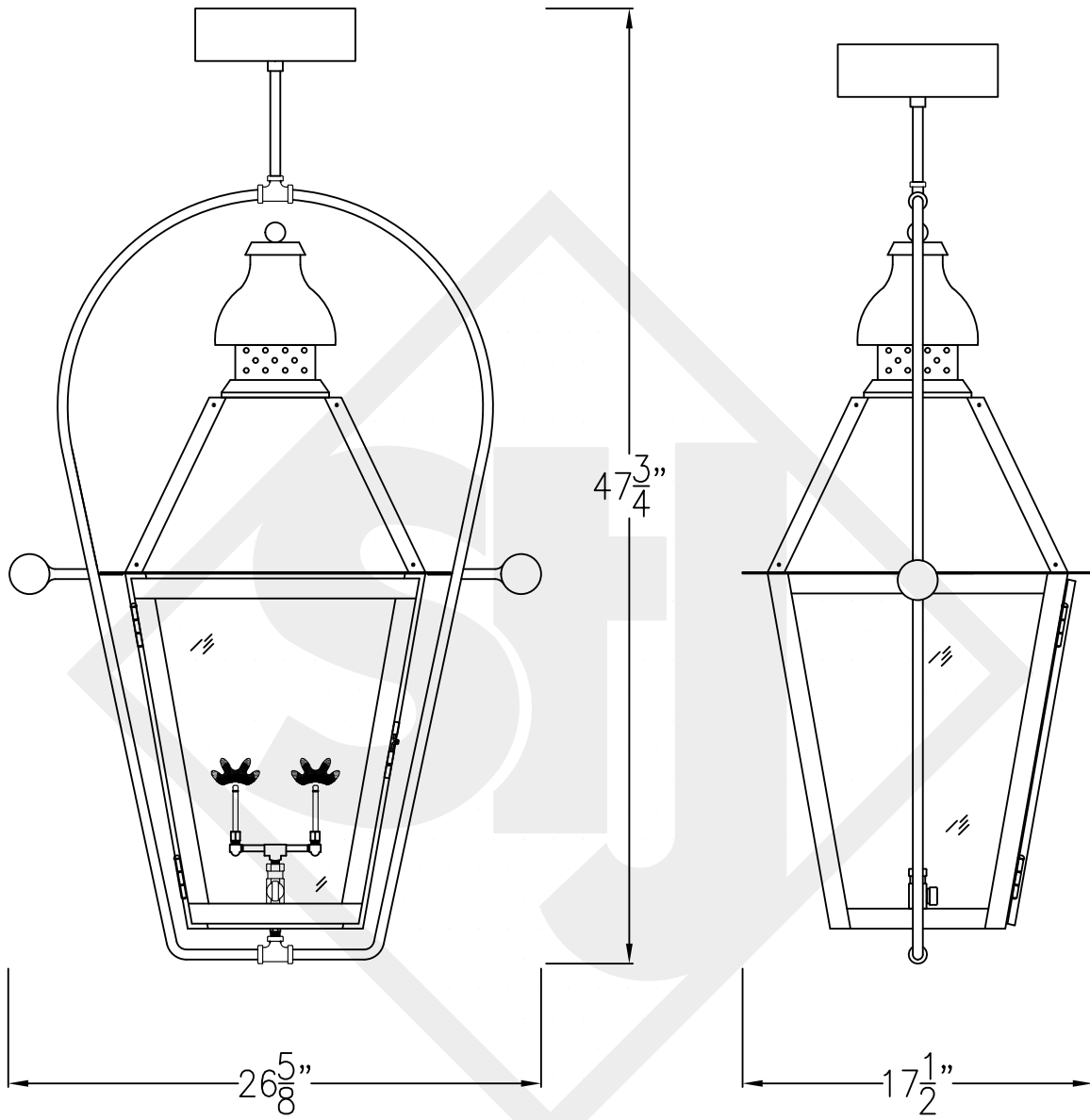
Ceiling Mount

Lights are hand crafted
Dimensions may vary by 1/4"

| | |
|-------------------------------|-----------------|
| Logan Grande Half Yoke | |
| St. James LIGHTING | |
| SCALE: N.T.S. | DRAFT: B. Vial |
| FILE: LOGG | APP'D: J. Ragan |
| JOB: X | DATE: 9/13/17 |

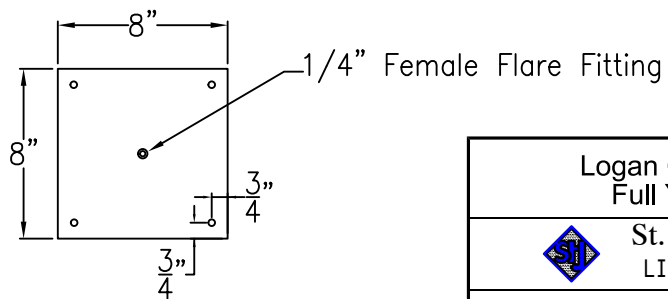
LOGAN GRANDE FULL YOKE

Available w/ Solid or
Glass Top
Shortest Height 47 ³/₄"



Front View

Side View



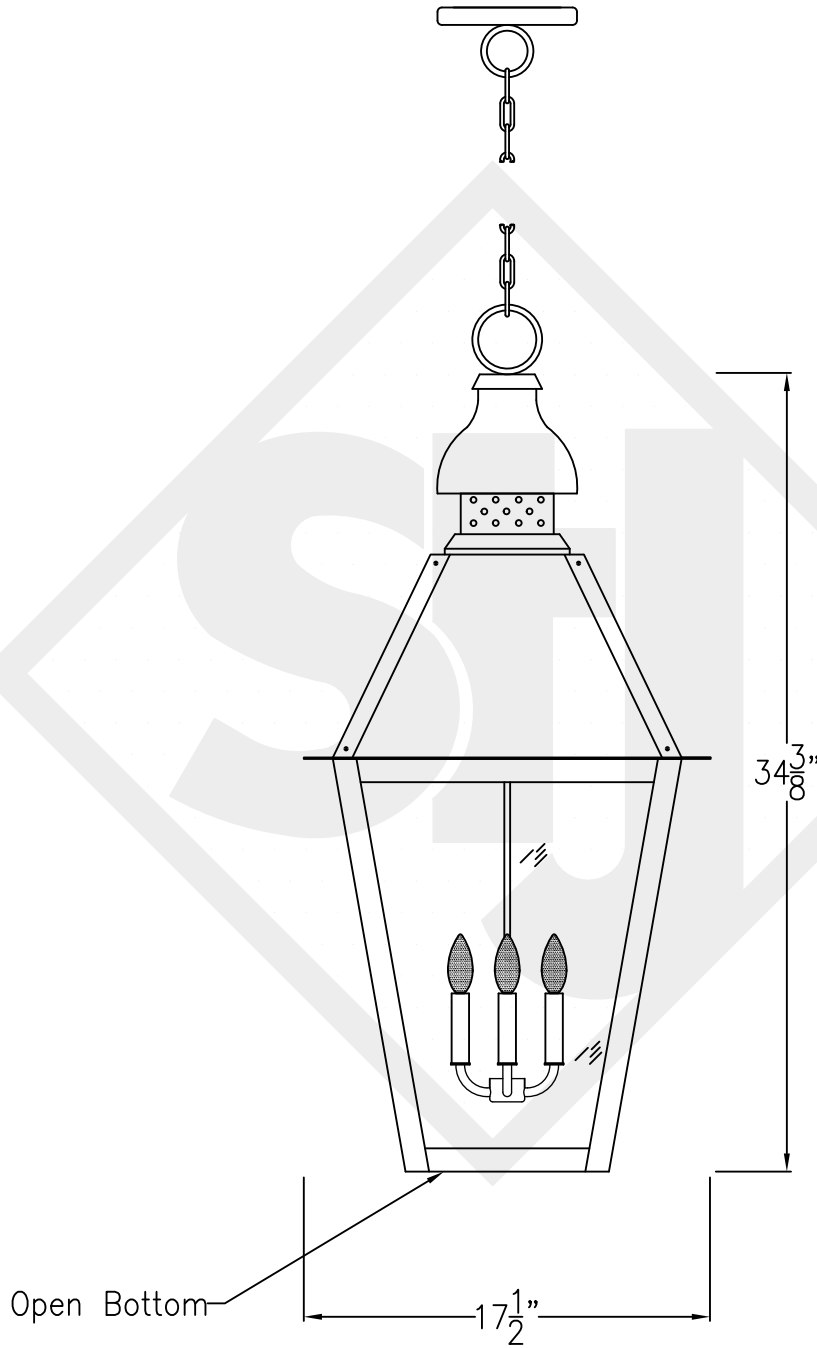
Ceiling Mount

Lights are hand crafted
Dimensions may vary by 1/4"

| | |
|-------------------------------|-----------------|
| Logan Grande Full Yoke | |
| St. James LIGHTING | |
| SCALE: N.T.S. | DRAFT: B. Vial |
| FILE: LOGG | APP'D: J. Ragan |
| JOB: X | DATE: 9/13/17 |


LOGAN GRANDE CHAIN HUNG PENDANT

Available in Solid or Glass Top
Comes standard w/ 6' of chain



Front View

Lights are hand crafted
Dimensions may vary by 1/4"

| | |
|---|-----------------|
| Logan Grande Chain Hung Pendant | |
|  St. James LIGHTING | |
| SCALE: N.T.S. | DRAFT: B. Vial |
| FILE: LOGG | APP'D: J. Ragan |
| JOB: X | DATE: 9/13/17 |