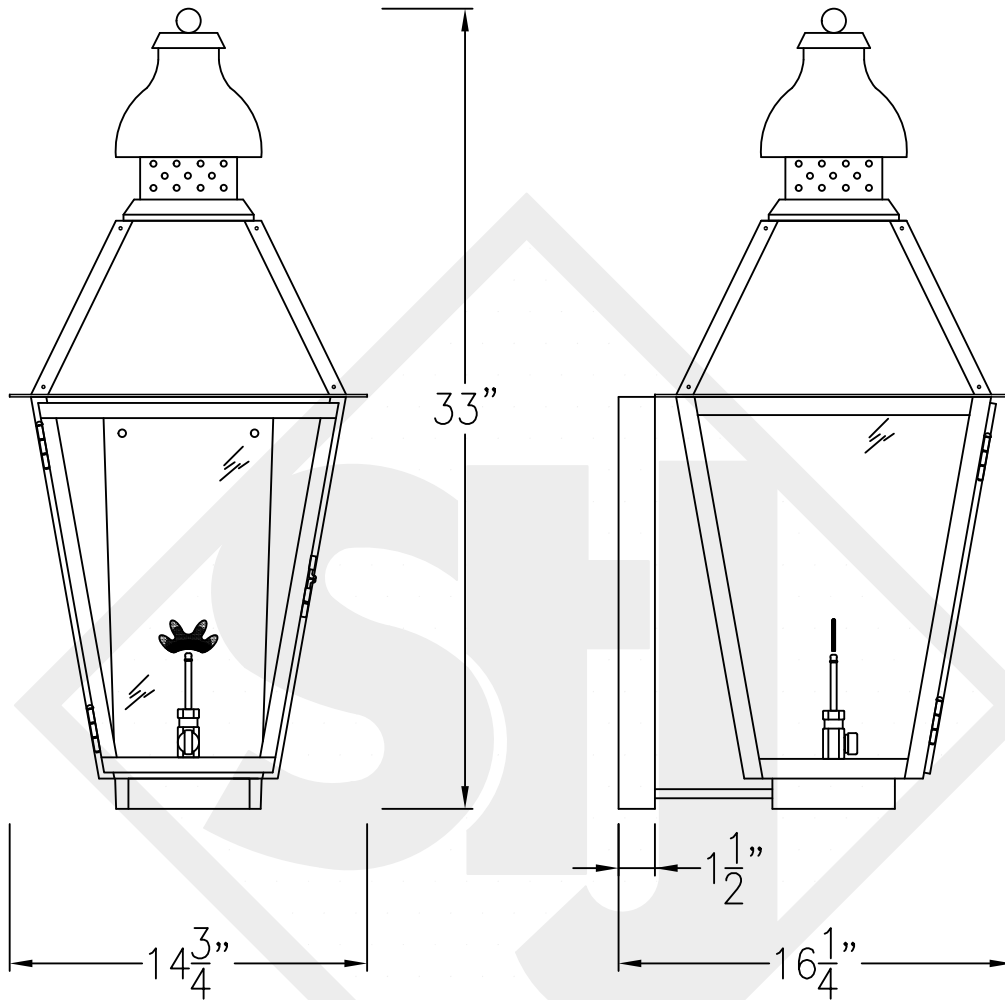


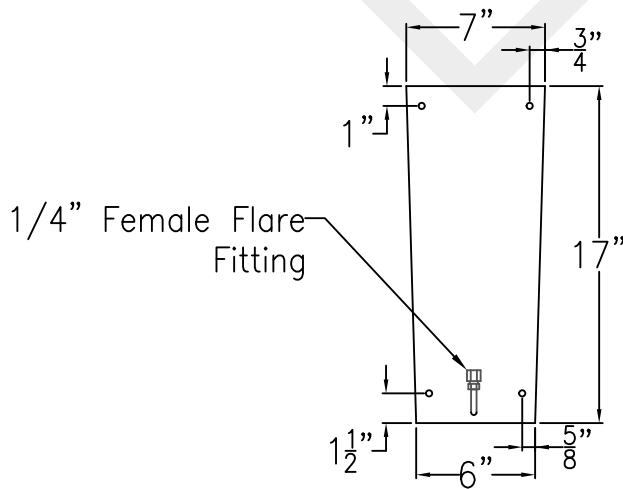
# LOGAN LARGE COPPER WALL BRACKET

Available w/ Solid or  
Glass Top



Front View

Side View



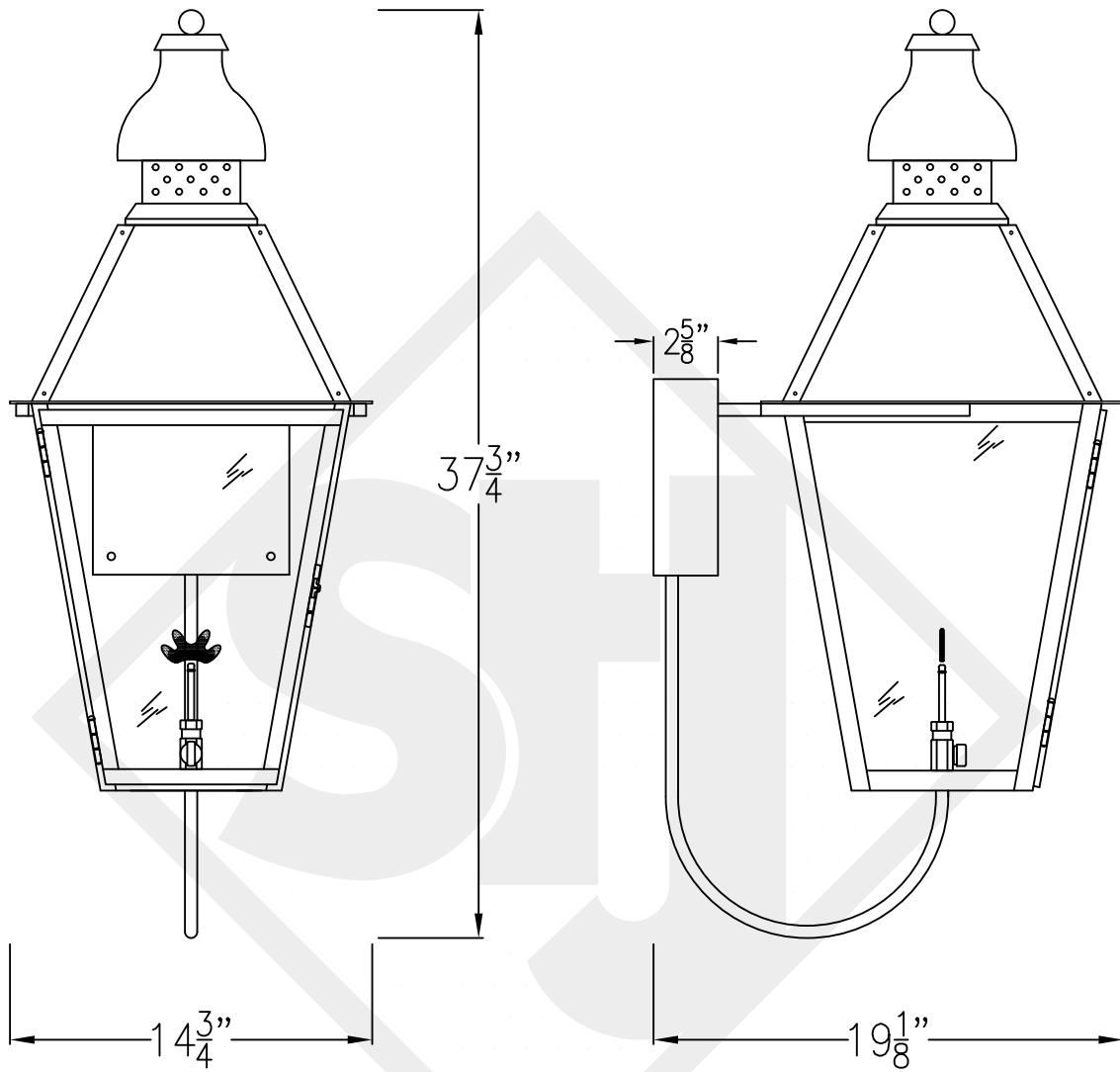
Backplate

Lights are hand crafted  
Dimensions may vary by 1/4"

Logan Large Copper Wall Bracket	
<b>St. James LIGHTING</b>	
SCALE: N.T.S.	DRAFT: B. Vial
FILE: LOGL	APP'D: J. Ragan
JOB: X	DATE: 9/13/17

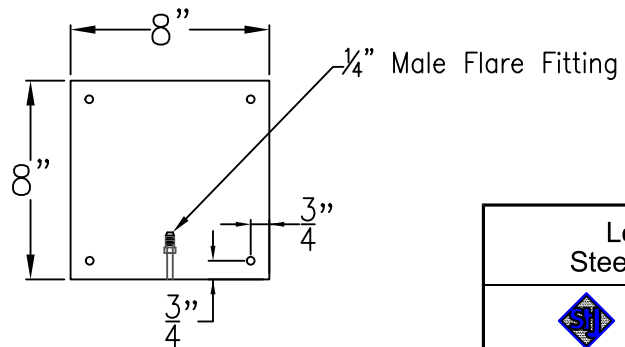
# LOGAN LARGE STEEL WALL BRACKET

Available w/ Solid or  
Glass Top



Front View

Side View



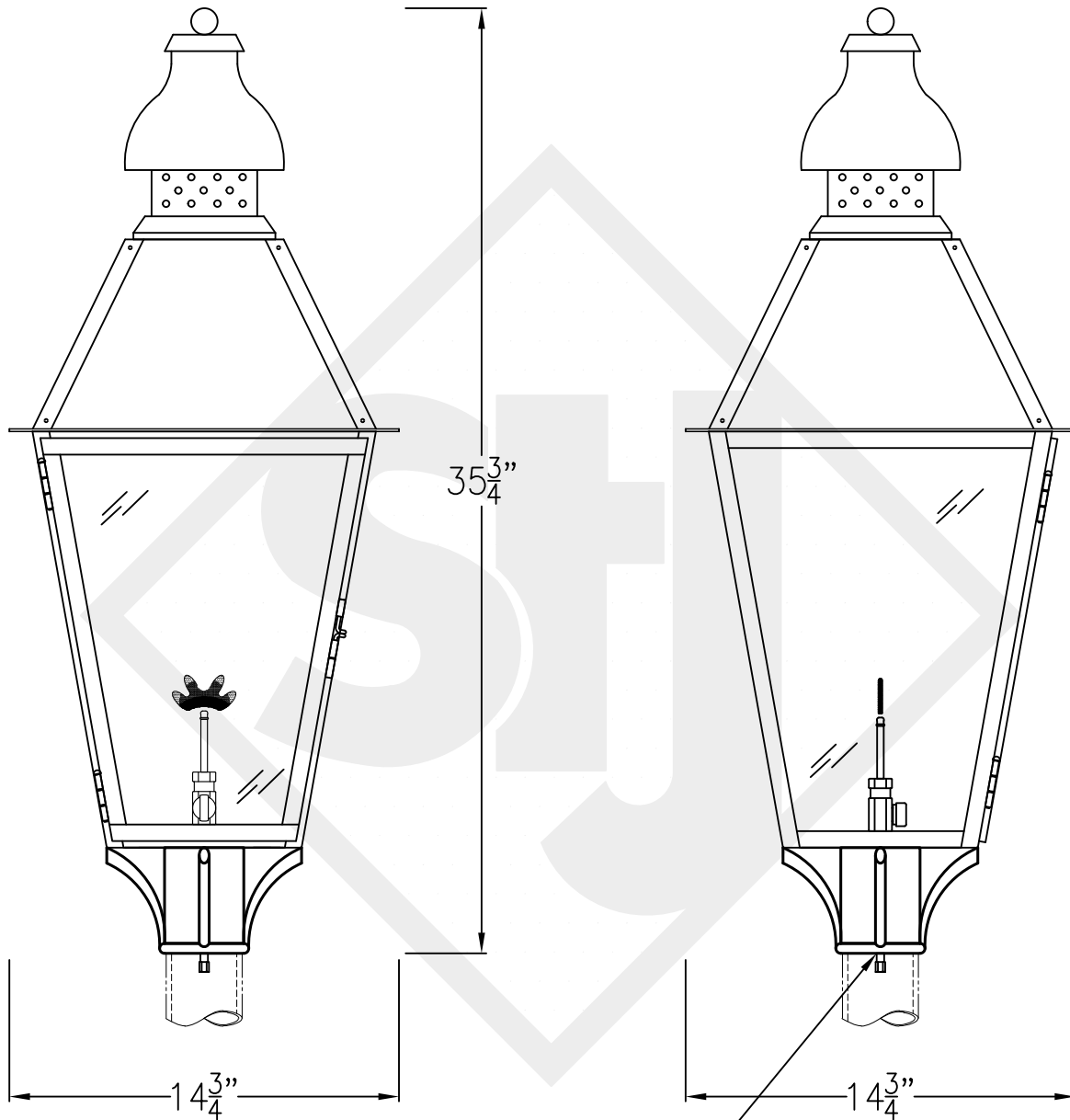
Backplate

Lights are hand crafted  
Dimensions may vary by 1/4"

Logan Large Steel Wall Bracket	
<b>St. James LIGHTING</b>	
SCALE: N.T.S.	DRAFT: B. Vial
FILE: LOGL	APP'D: J. Ragan
JOB: X	DATE: 9/13/17

# LOGAN LARGE COPPER POST MOUNT

Available w/ Solid or  
Glass Top




Front View

Side View

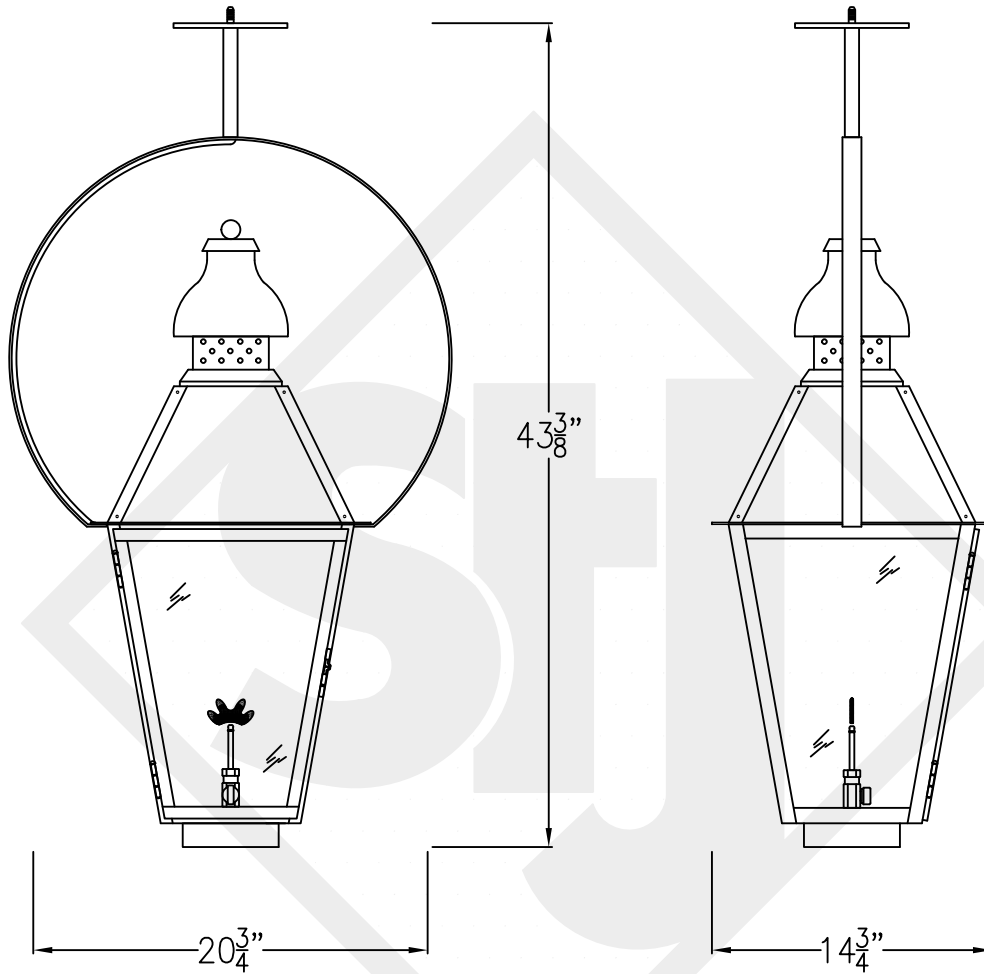
Fits over 3" post  
1/4" Female Flare  
Fitting

Lights are hand crafted  
Dimensions may vary by 1/4"

Logan Large Copper Post Mount	
 <b>St. James LIGHTING</b>	
SCALE: N.T.S.	DRAFT: B. Vial
FILE: LOGL	APP'D: J. Ragan
JOB: X	DATE: 9/14/17

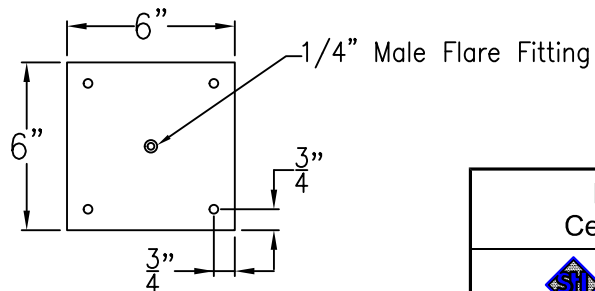
# LOGAN LARGE CEILING HALF YOKE

Available w/ Solid or  
Glass Top  
Shortest Height 43  $\frac{3}{8}$ "



Front View

Side View



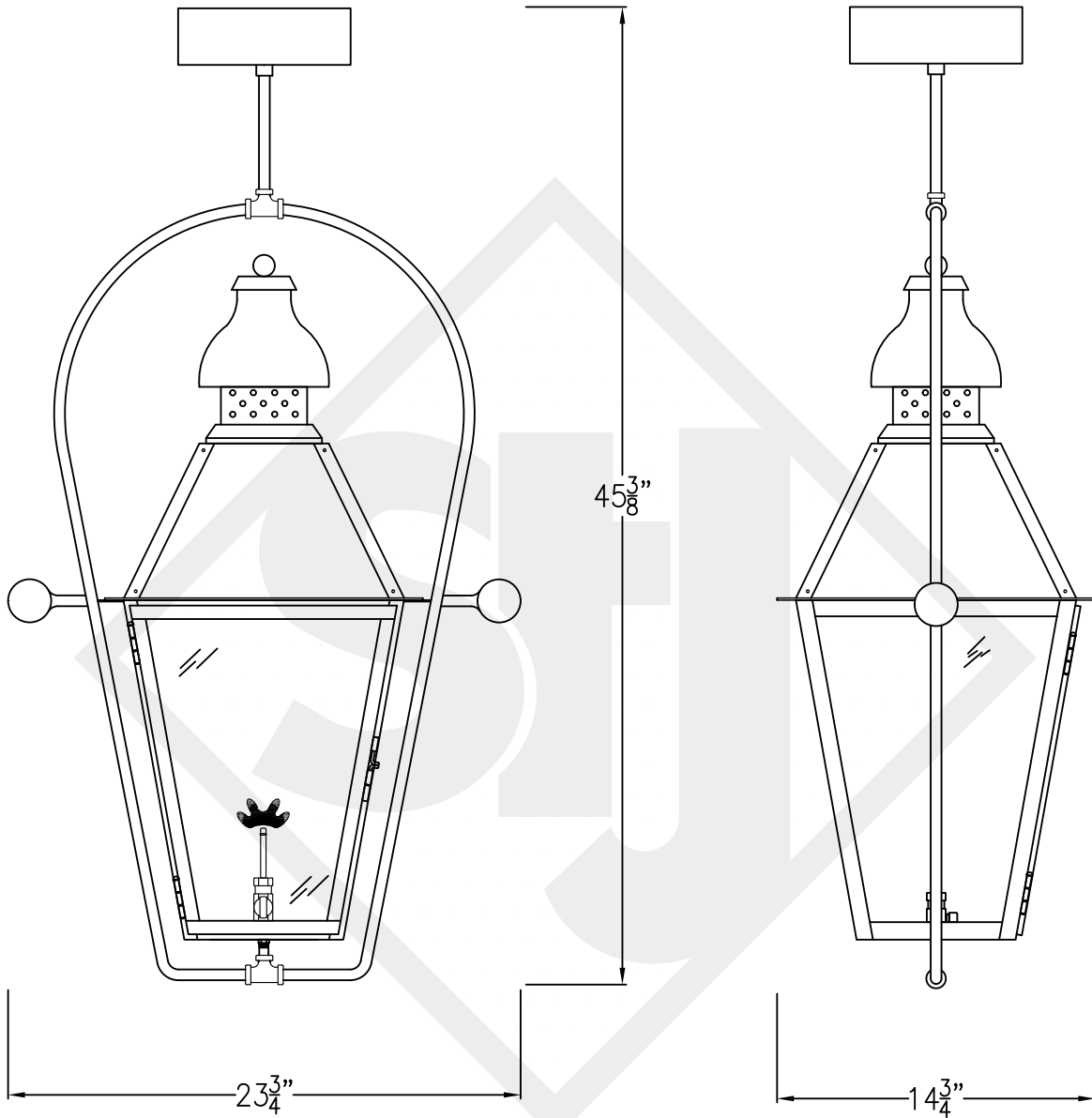
Ceiling Mount

Lights are hand crafted  
Dimensions may vary by 1/4"

Logan Large Ceiling Half Yoke	
<b>St. James LIGHTING</b>	
SCALE: N.T.S.	DRAFT: B. Vial
FILE: LOGL	APP'D: J. Ragan
JOB: X	DATE: 9/14/17

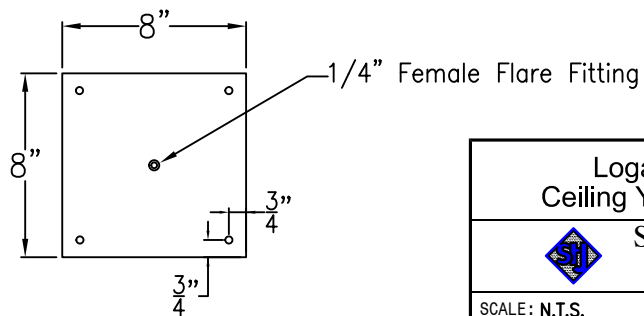
# LOGAN LARGE CEILING YOKE BRACKET

Available w/ Solid or Glass Top  
 Shortest height 45  $\frac{3}{8}$ "




Front View

Side View



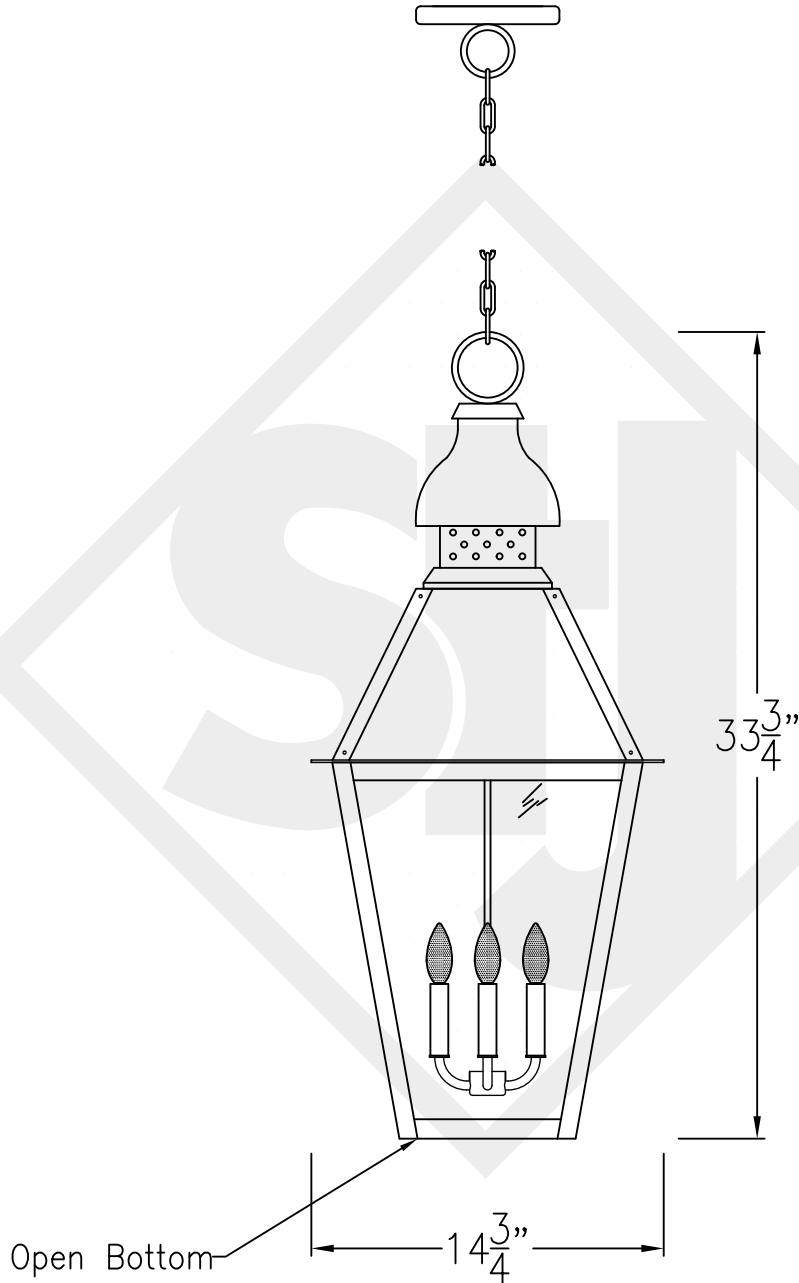
Ceiling Mount

Lights are hand crafted  
 Dimensions may vary by 1/4"

Logan Large Ceiling Yoke Bracket	
 St. James LIGHTING	
SCALE: N.T.S.	DRAFT: B. Vial
FILE: LOGL	APP'D: J. Ragan
JOB: X	DATE: 9/14/17


# LOGAN LARGE CHAIN HUNG PENDANT

Available w/ Solid or Glass Top  
Comes standard w/ 6' of chain



Front View

Lights are hand crafted  
Dimensions may vary by 1/4"

Logan Large Chain Hung Pendant	
 St. James LIGHTING	
SCALE: N.T.S.	DRAFT: B. Vial
FILE: LOGL	APP'D: J. Ragan
JOB: X	DATE: 9/14/17