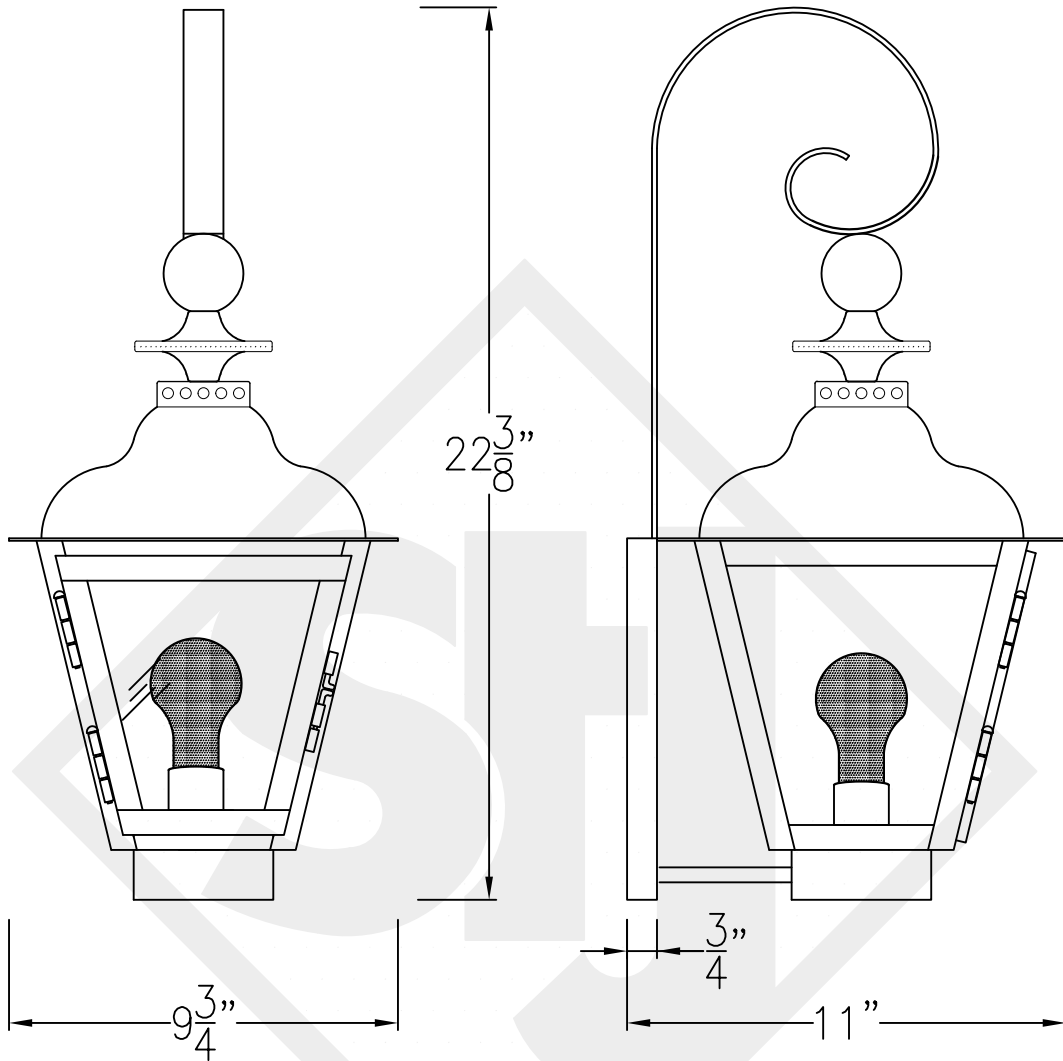
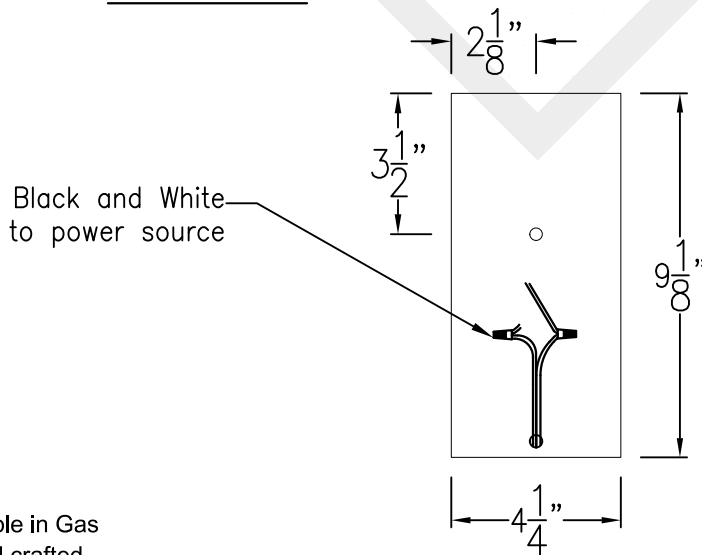


BRUNSWICK MINI COPPER WALL MOUNT



Front View

Side View



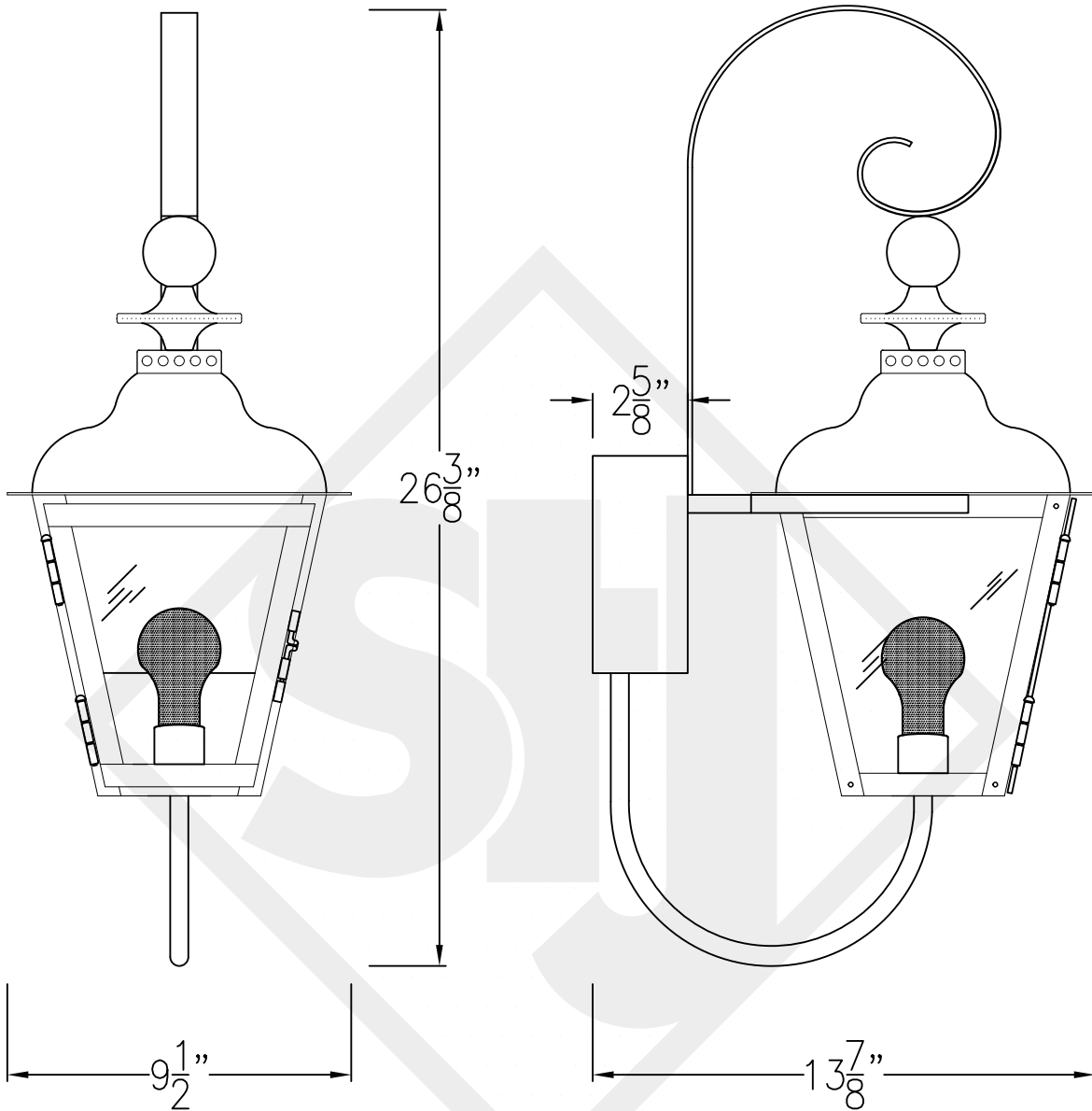
Black and White
to power source

Backplate

Mini not available in Gas
Lights are hand crafted
Dimensions may vary by 1/4"

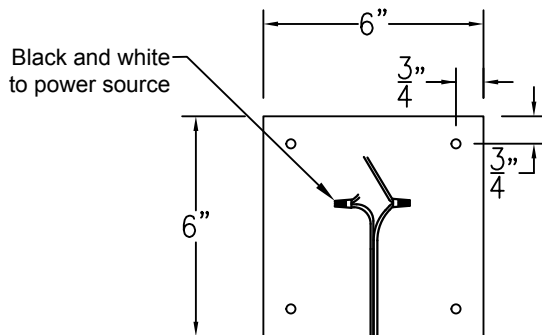
Brunswick Mini Copper Wall Mount	
St. James LIGHTING	
SCALE: N.T.S.	DRAFT: B. Vial
FILE: BRUMINI	APP'D: J. Ragan
JOB: X	DATE: 9/6/17

BRUNSWICK MINI STEEL WALL MOUNT



Front View

Side View

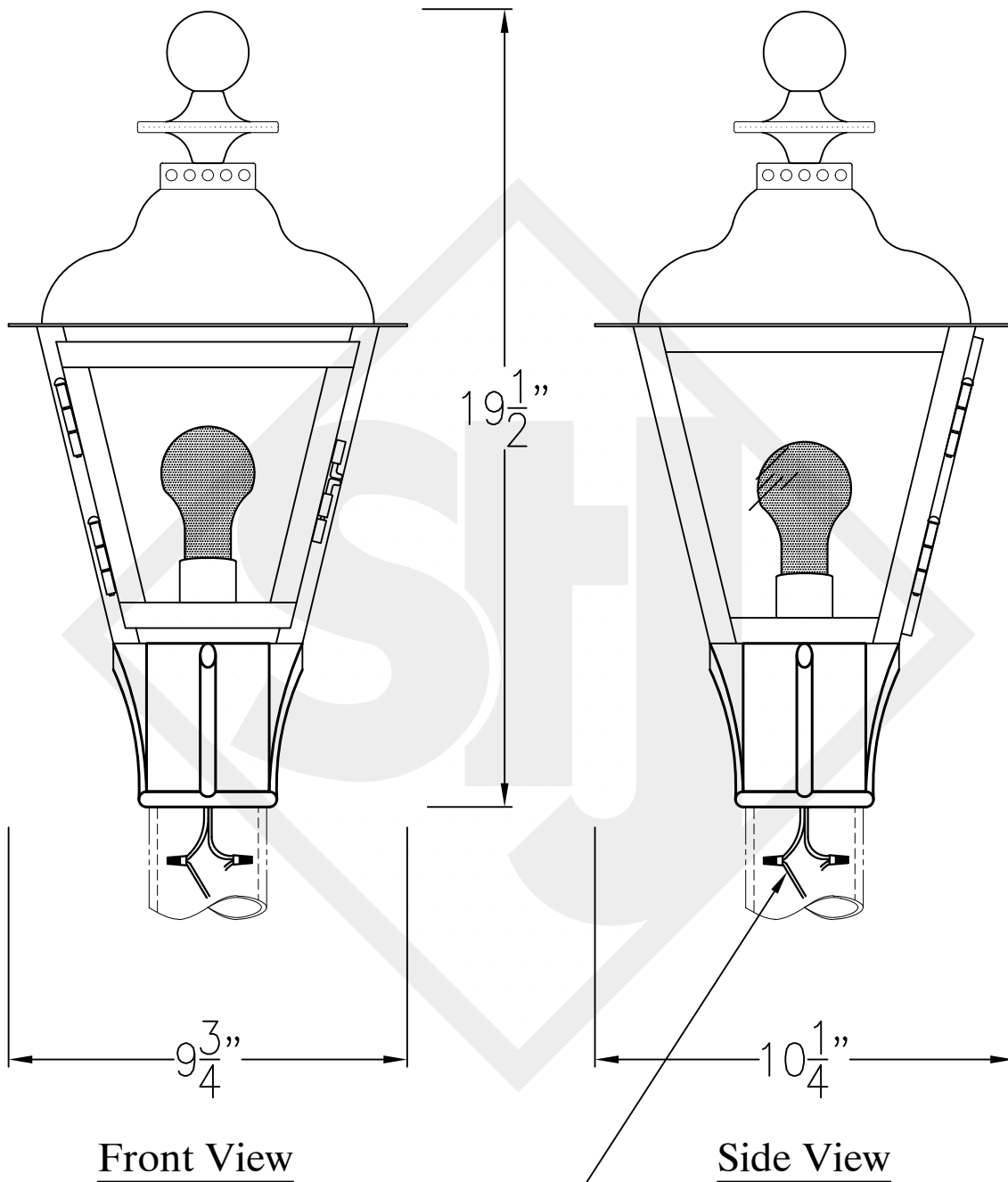


Backplate

Mini not available in Gas
Lights are hand crafted
Dimensions may vary by 1/4"

Brunswick Mini Steel Wall Mount	
St. James LIGHTING	
SCALE: N.T.S.	DRAFT: B. Vial
FILE: BRUMINI	APP'D: J. Ragan
JOB: X	DATE: 9/6/17

BRUNSWICK MINI COPPER POST MOUNT




Front View

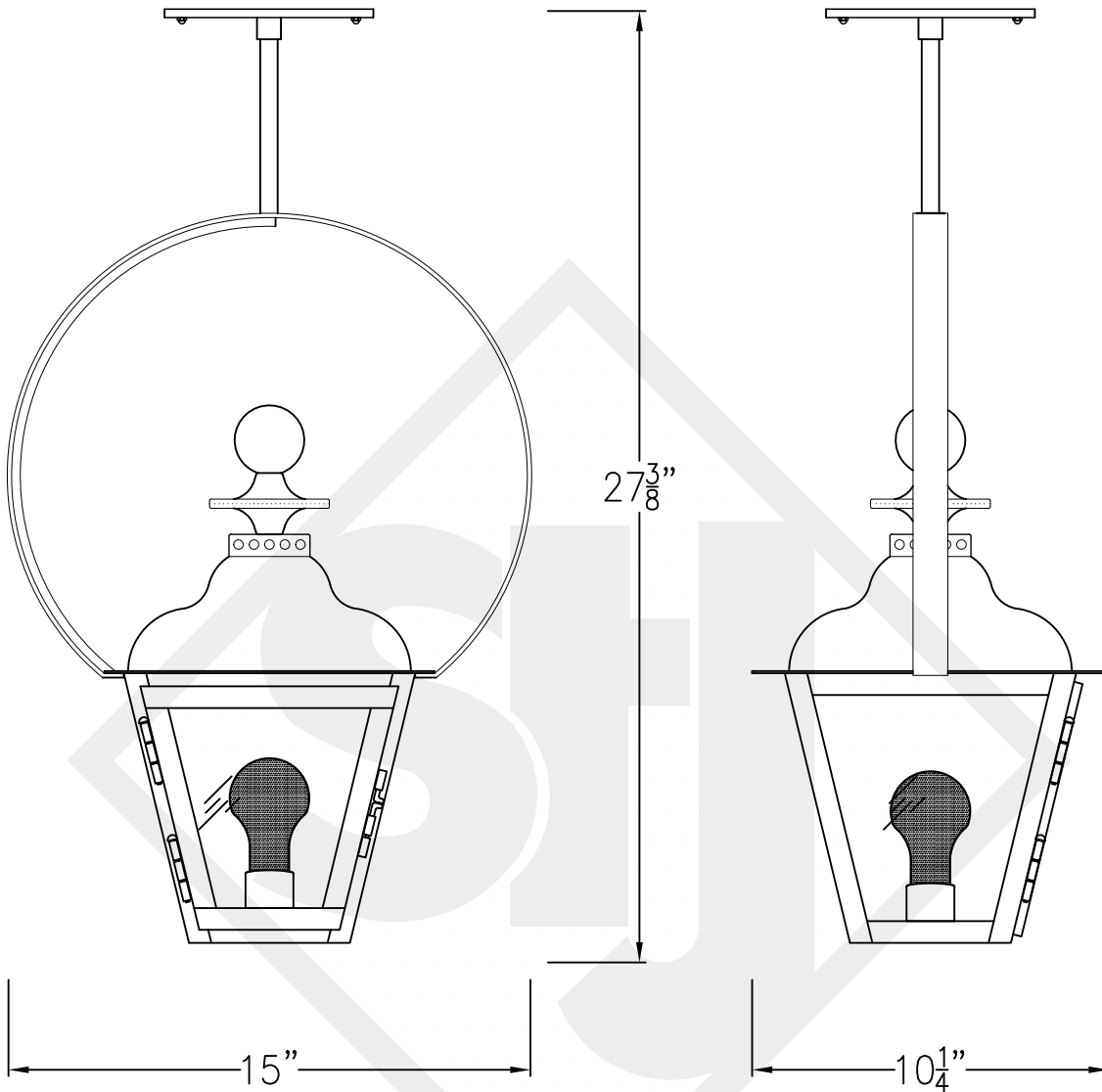
Side View

Fits over 3" post
Black and White to
power source

Lights are hand crafted
Dimensions may vary by 1/4"

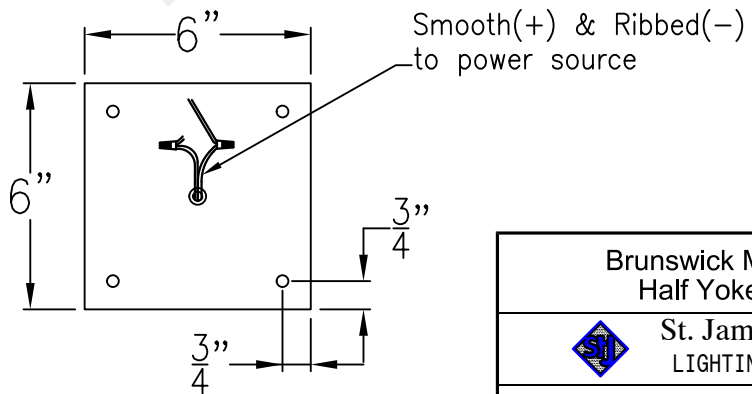
Brunswick Mini Copper Post Mount	
 St. James LIGHTING	
SCALE: N.T.S.	DRAFT: B. Vial
FILE: BRUMINI	APP'D: J. Ragan
JOB: X	DATE: 9/6/17

BRUNSWICK MINI HALF YOKE



Front View

Side View

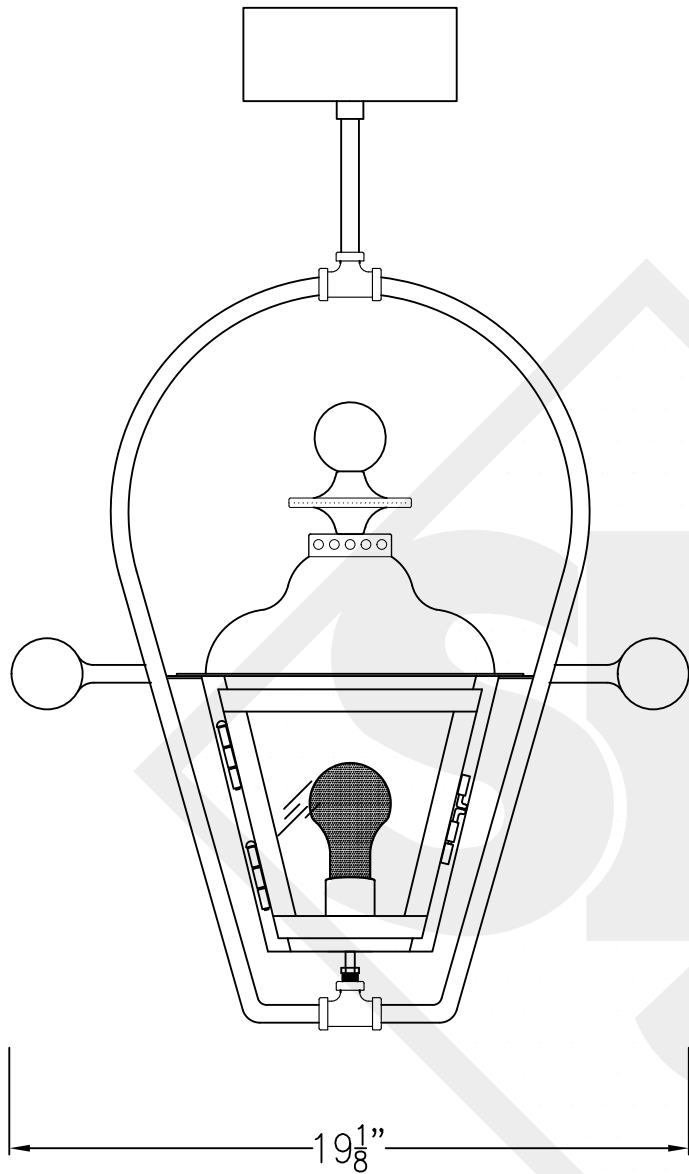


Ceiling Mount

Mini not available in Gas
Lights are hand crafted
Dimensions may vary by 1/4"

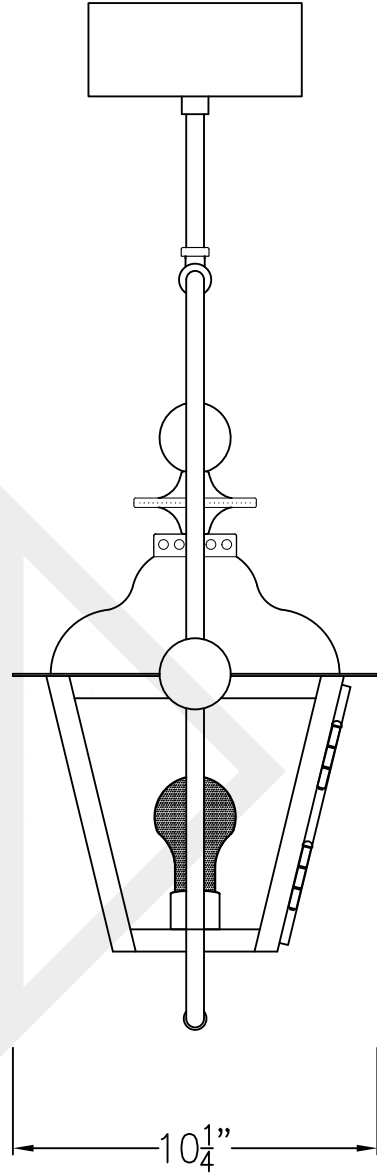
Brunswick Mini Half Yoke	
St. James LIGHTING	
SCALE: N.T.S.	DRAFT: B. Vial
FILE: BRUMINI	APP'D: J. Ragan
JOB: X	DATE: 10/18/17

BRUNSWICK MINI FULL YOKE

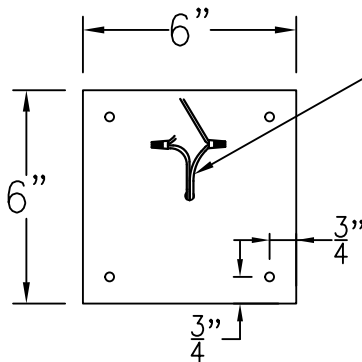


Front View

28 ³/₄"



Side View



Smooth(+) & Ribbed(-)
to power source

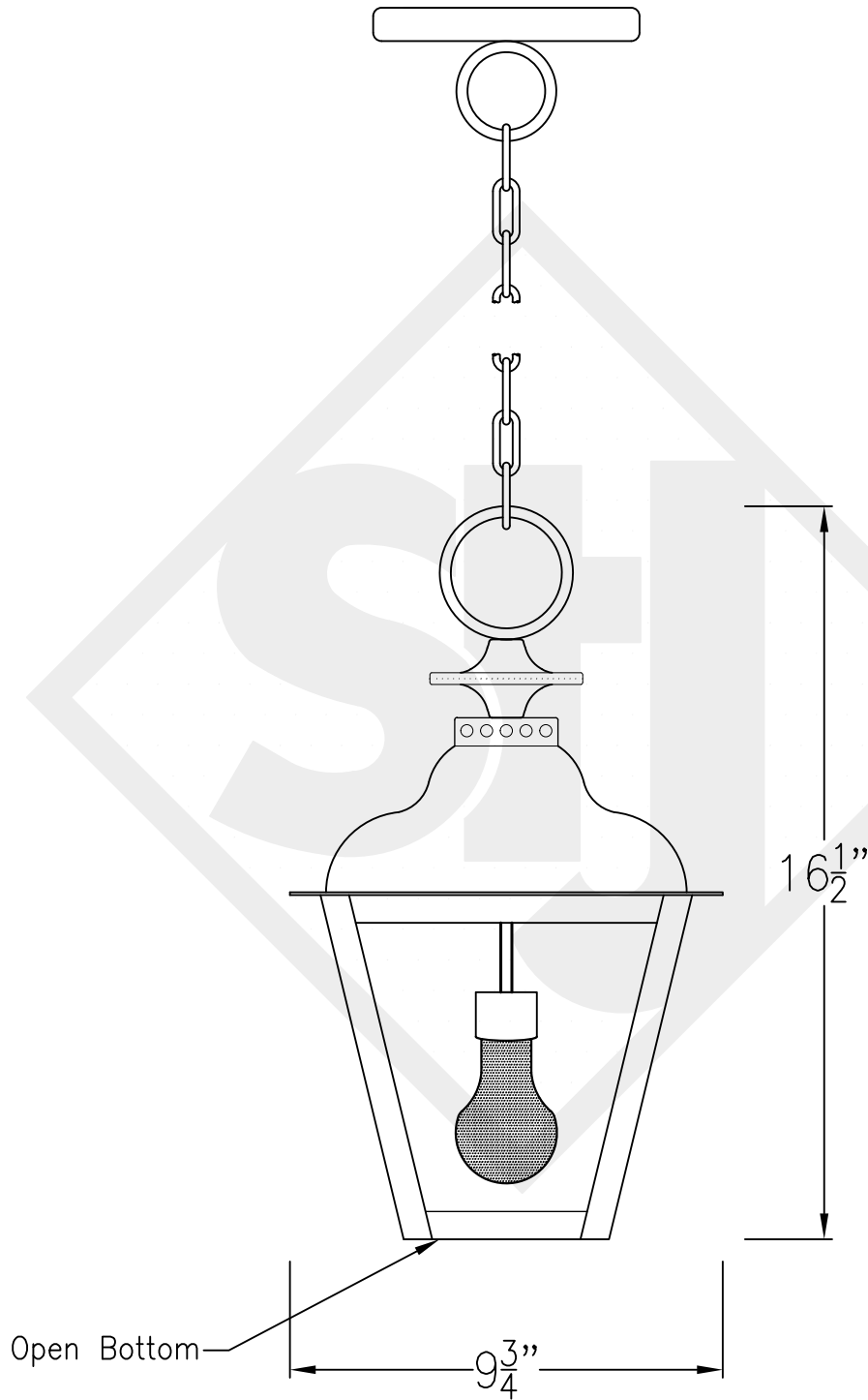
Ceiling Mount

Mini not available in Gas
Lights are hand crafted
Dimensions may vary by 1/4"

Brunswick Mini Half Yoke	
St. James LIGHTING	
SCALE: N.T.S.	DRAFT: B. Vial
FILE: BRUMINI	APP'D: J. Ragan
JOB: X	DATE: 10/18/17


BRUNSWICK MINI CHAIN HUNG PENDANT

Comes standard w/
6' of chain



Front View

Mini not available in Gas
Lights are hand crafted
Dimensions may vary by 1/4"

Brunswick Mini Chain Hung Pendant	
 St. James LIGHTING	
SCALE: N.T.S.	DRAFT: B. Vial
FILE: BRUMINI	APP'D: J. Ragan
JOB: X	DATE: 9/6/17