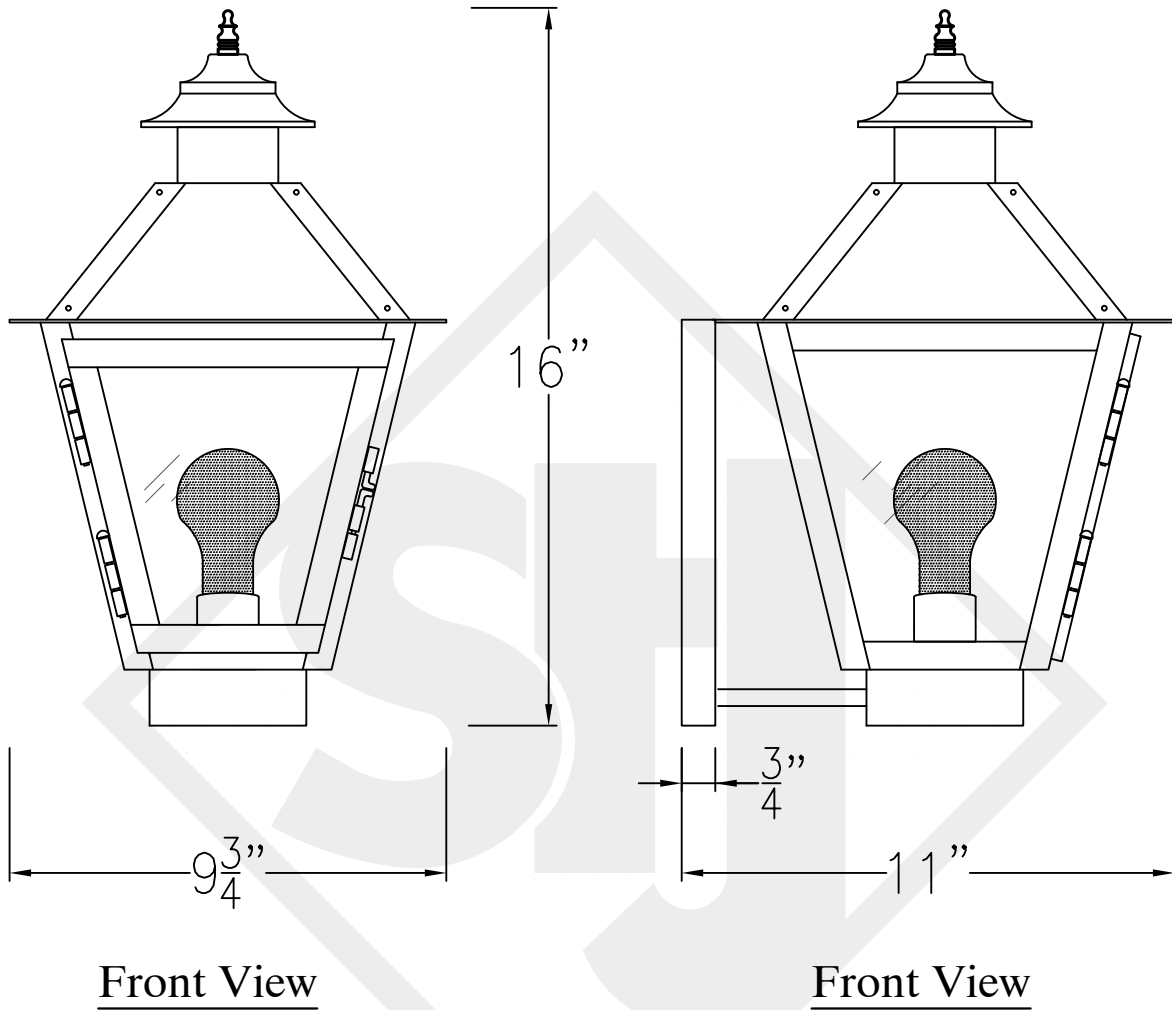


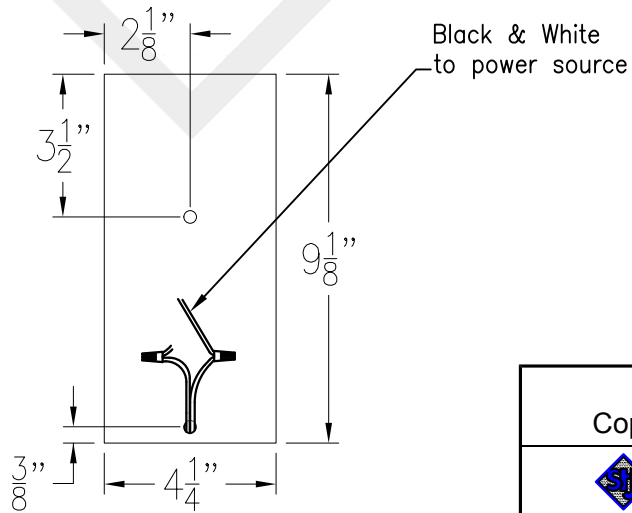
MAGNOLIA MINI COPPER WALL BRACKET

Available w/ Solid or
Glass Top



Front View

Front View



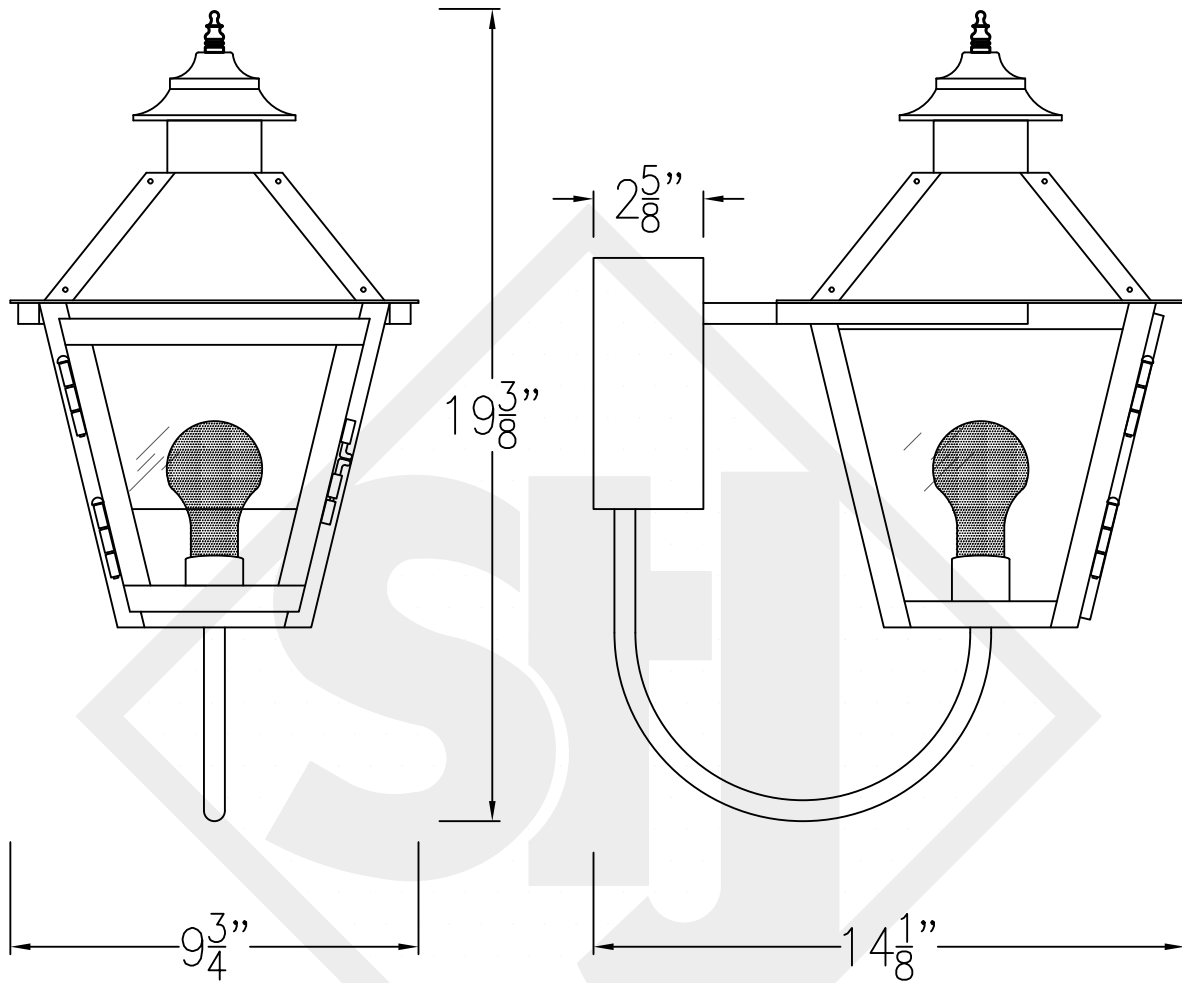
Front View

Mini not available in Gas
Lights are hand crafted
Dimensions may vary by 1/4"

| | |
|--------------------------------------|-----------------|
| Magnolia Mini Copper Wall Bracket | |
| St. James LIGHTING | |
| SCALE: N.T.S. | DRAFT: B.VIAL |
| FILE: MAGMINI | APP'D: J. Ragan |
| JOB: X | DATE: 9/29/17 |

MAGNOLIA MINI STEEL WALL BRACKET

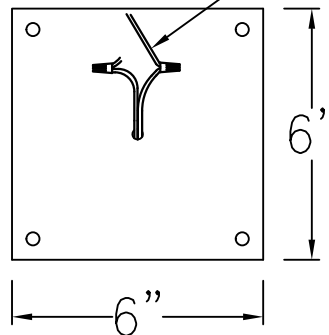
Available w/ Solid or
Glass Top



Front View

Front View

Black & White
to power source

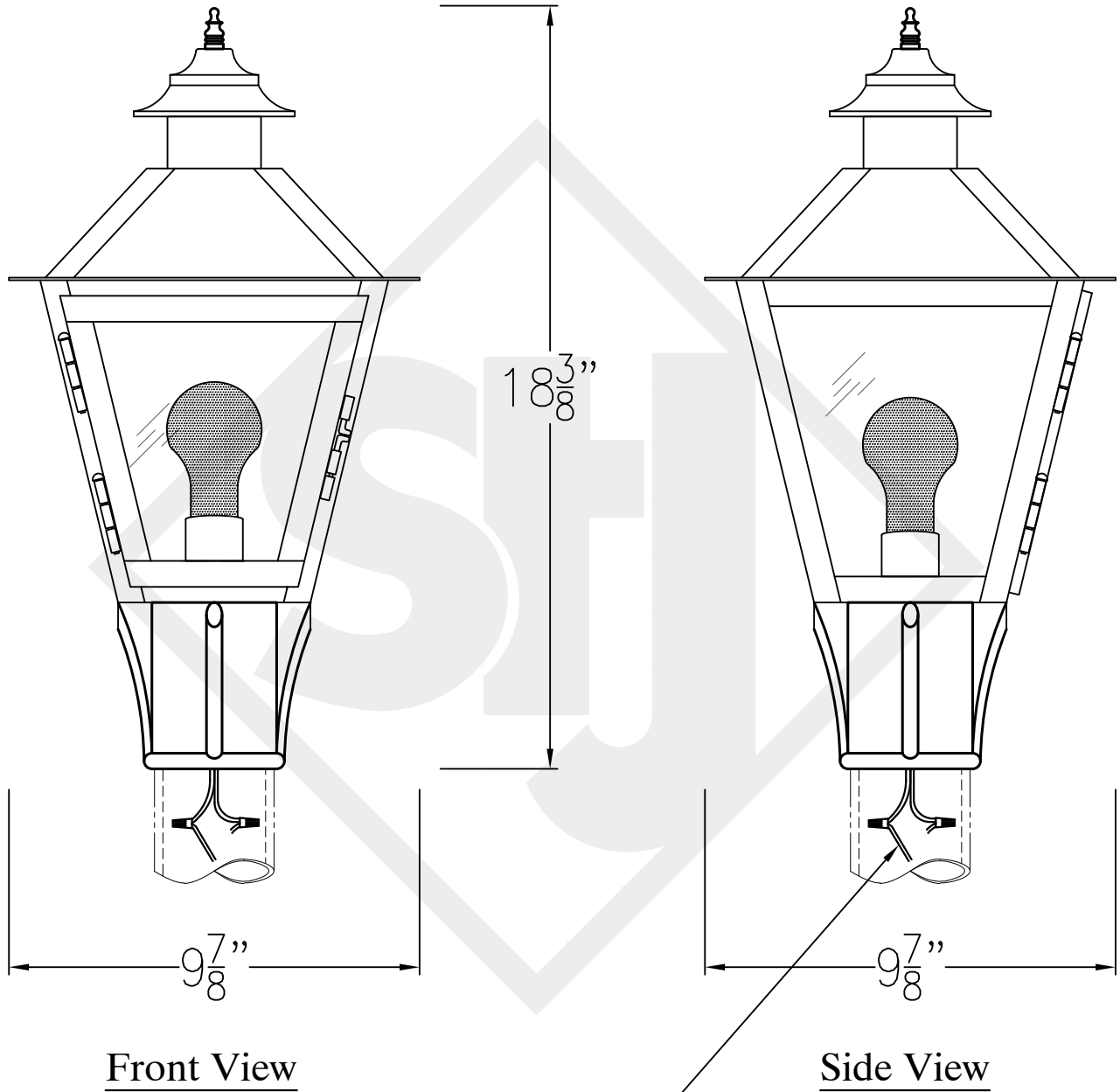


Front View

Mini not available in Gas
Lights are hand crafted
Dimensions may vary by 1/4"


| | |
|-------------------------------------|-----------------|
| Magnolia Mini Steel Wall Bracket | |
| St. James LIGHTING | |
| SCALE: N.T.S. | DRAFT: B.VIAL |
| FILE: MAGMINI | APP'D: J. Ragan |
| JOB: X | DATE: 9/29/17 |

MAGNOLIA MINI COPPER POST



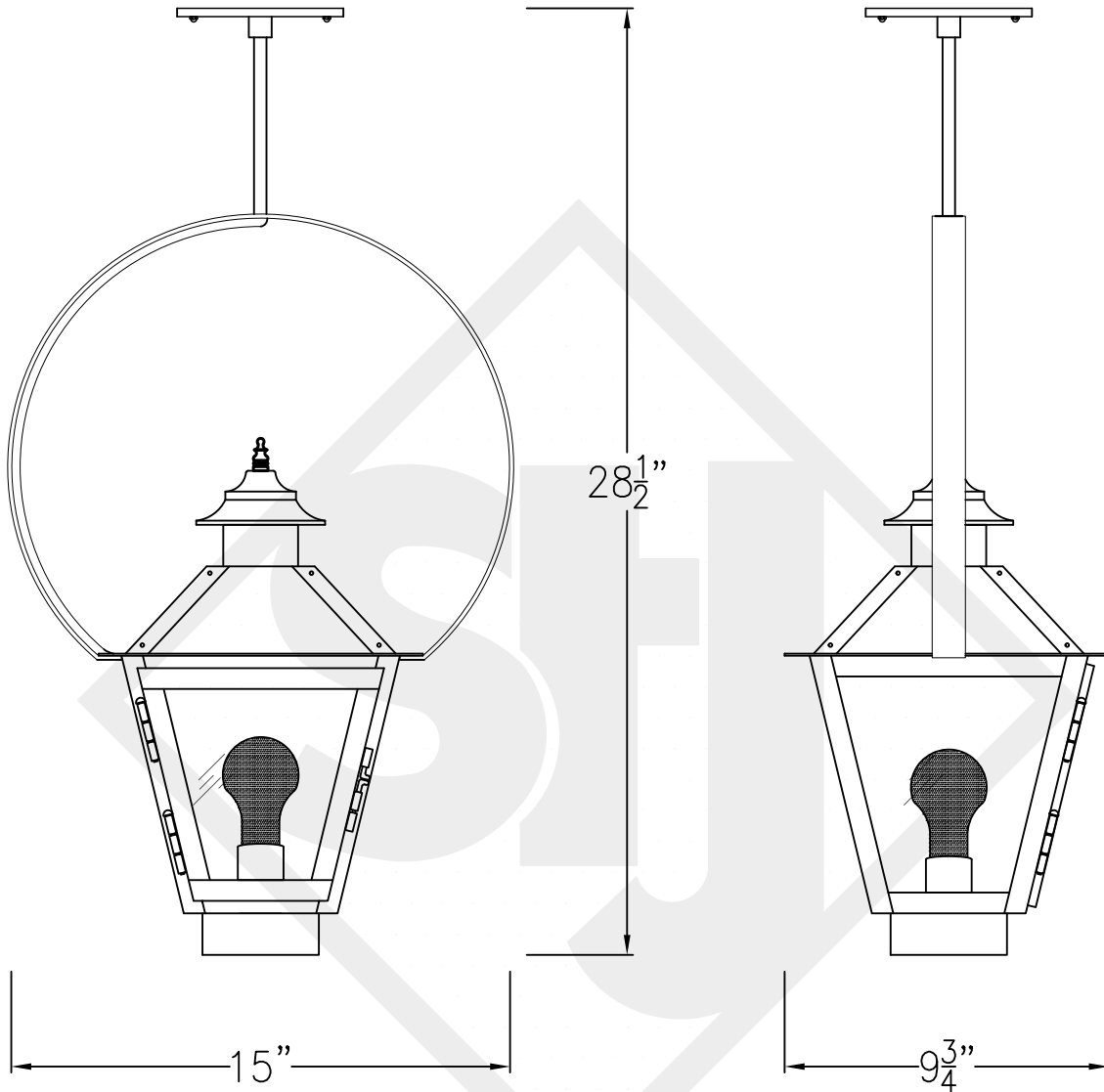
Black & White
to power source

Mini not Available in Gas
Lights are hand crafted
Dimensions may vary by 1/4"

| | |
|---|-----------------|
| Magnolia Mini Copper Post | |
|  St. James LIGHTING | |
| SCALE: N.T.S. | DRAFT: B.VIAL |
| FILE: MAGM | APP'D: J. Ragan |
| JOB: X | DATE: 9/29/17 |

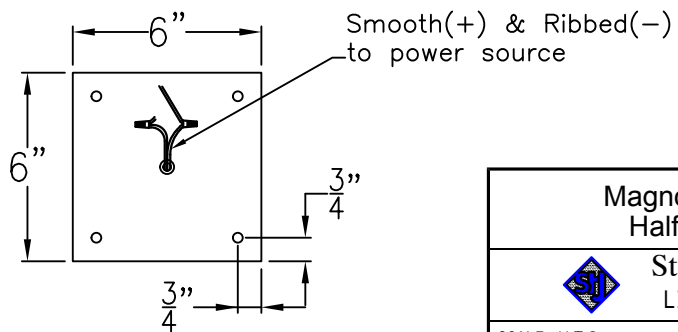
MAGNOLIA MINI CEILING HALF YOKE

Available w/ Solid or
Glass Top



Front View

Side View



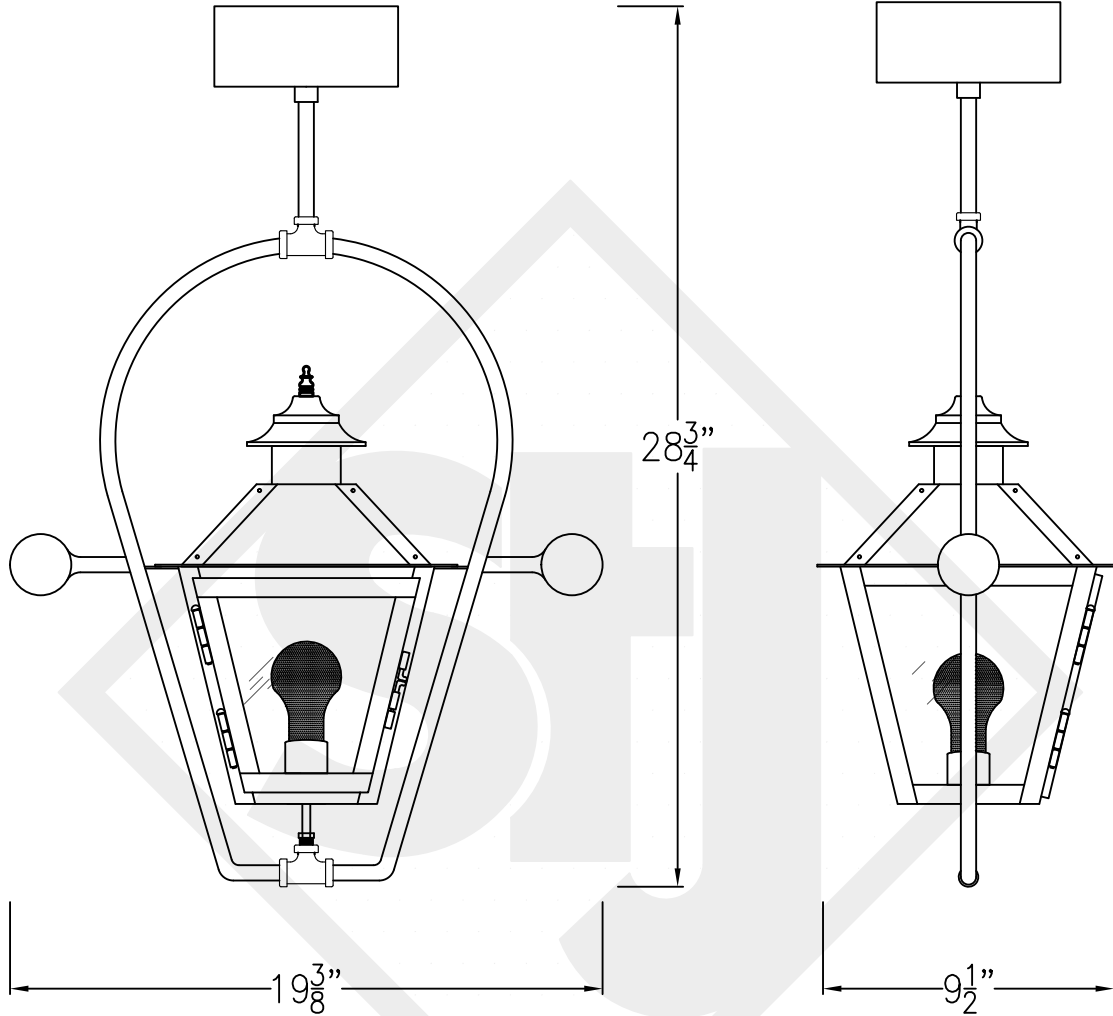
Ceiling Mount

Mini not available in Gas
Lights are hand crafted
Dimensions may vary by 1/4"

| | |
|------------------------------------|-----------------|
| Magnolia Mini Half Yoke | |
| St. James LIGHTING | |
| SCALE: N.T.S. | DRAFT: B.VIAL |
| FILE: MAGM | APP'D: J. Ragan |
| JOB: X | DATE: 10/18/17 |

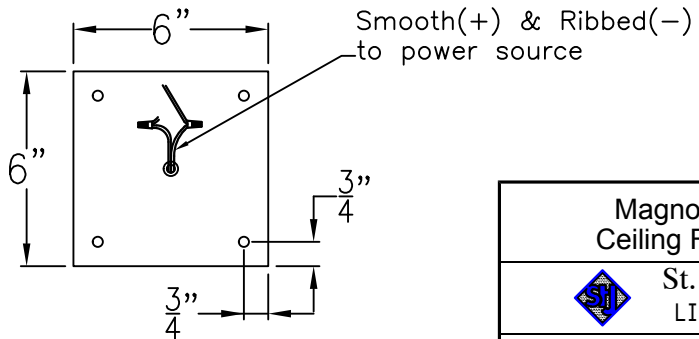
MAGNOLIA MINI CEILING FULL YOKE

Available w/ Solid or
Glass Top



Front View

Side View



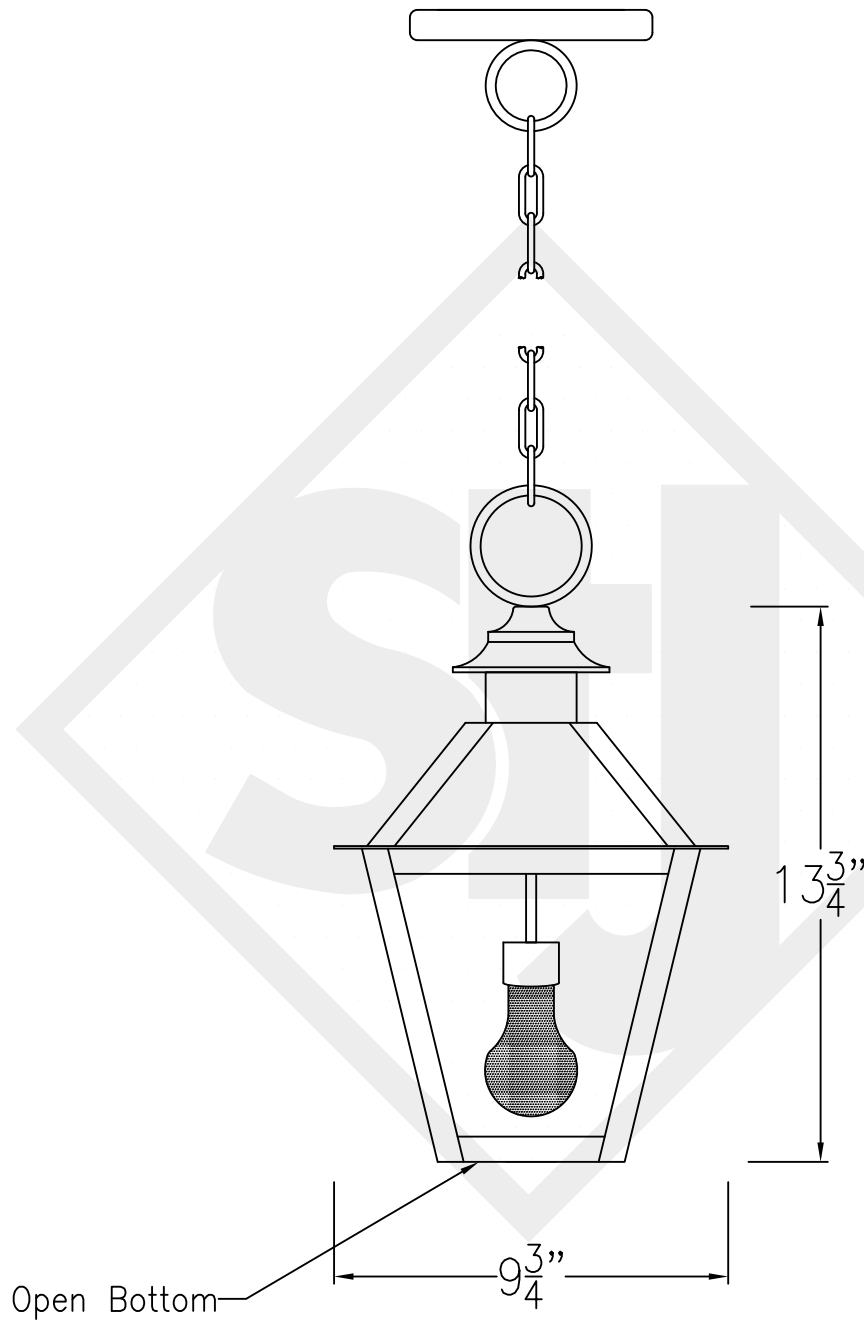
Ceiling Mount

Mini not available in Gas
Lights are hand crafted
Dimensions may vary by 1/4"

| | |
|------------------------------------|-----------------|
| Magnolia Mini Ceiling Full Yoke | |
| St. James LIGHTING | |
| SCALE: N.T.S. | DRAFT: B.VIAL |
| FILE: MAGM | APP'D: J. Ragan |
| JOB: X | DATE: 10/18/17 |


MAGNOLIA MINI CHAIN HUNG PENDANT

Available w/ Solid or
Glass Top
Comes standard w/ 6'
of chain



Front View

Mini not available is Gas
Lights are hand crafted
Dimensions may vary by 1/4"

| | |
|---|-----------------|
| Magnolia Mini Chain Hung Pendant | |
|  St. James LIGHTING | |
| SCALE: N.T.S. | DRAFT: B.VIAL |
| FILE: MAGMINI | APP'D: J. Ragan |
| JOB: X | DATE: 9/29/17 |