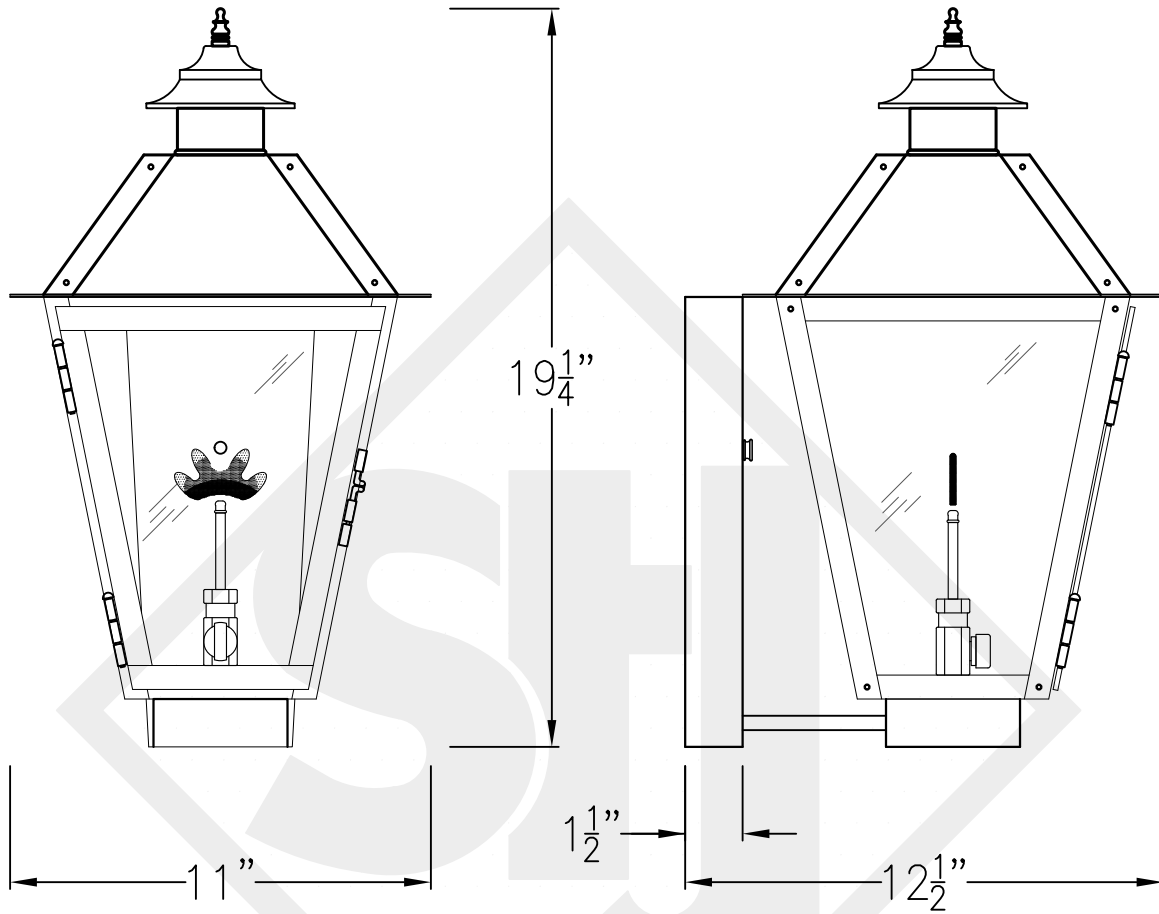


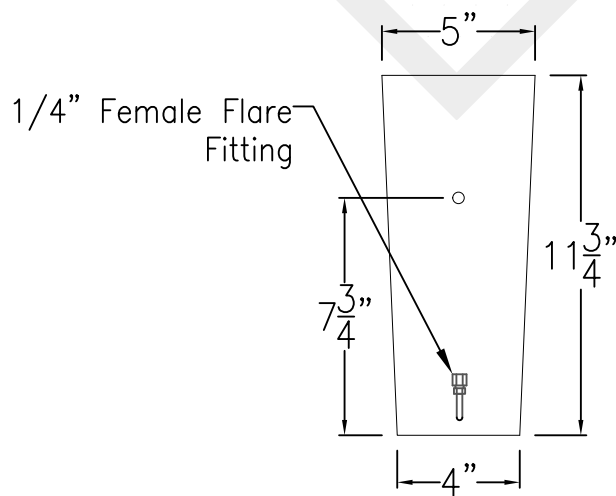
# MAGNOLIA SMALL COPPER WALL BRACKET

Available w/ Solid or  
Glass top



Front View

Side View



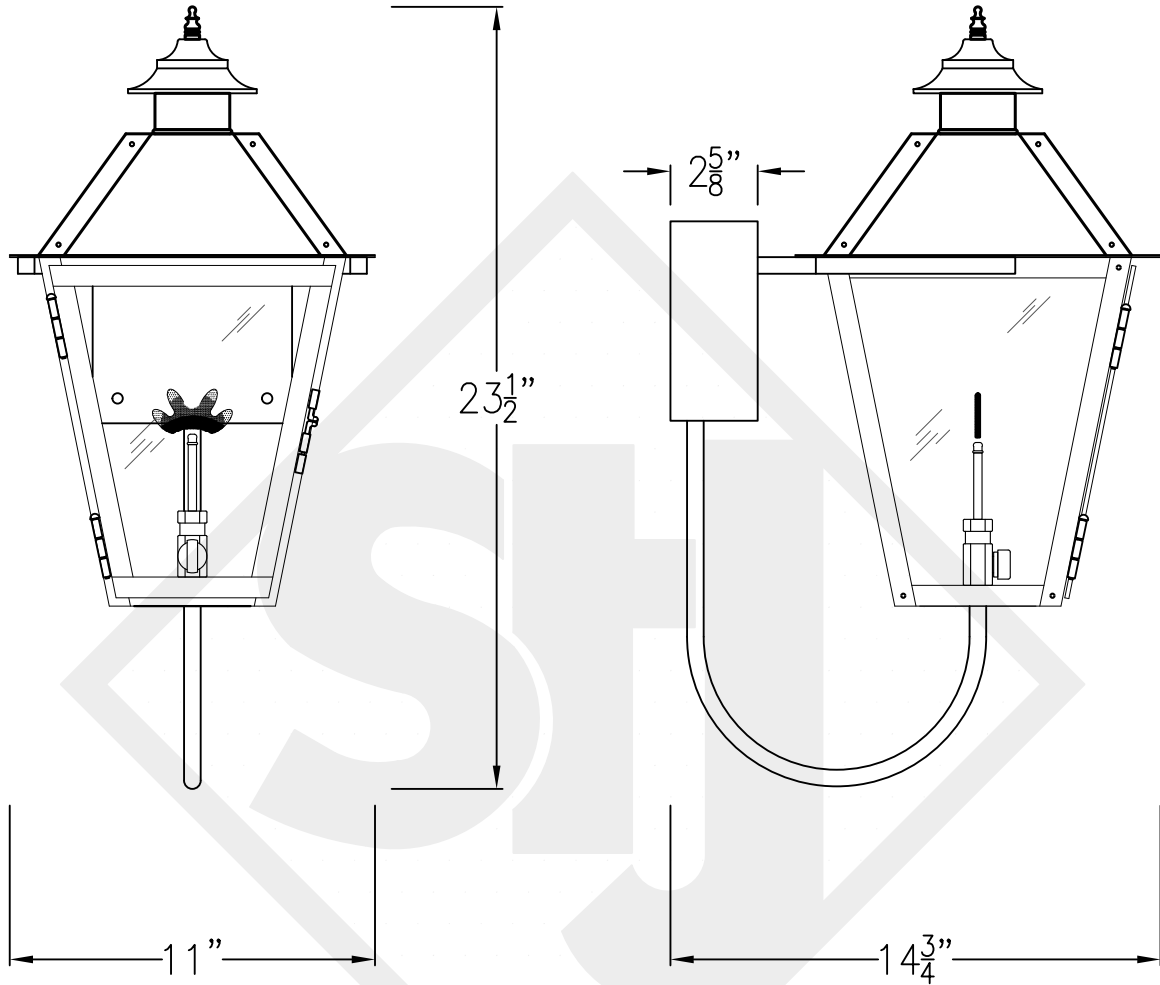
Backplate

Lights are hand crafted  
Dimensions may vary by  $1/4$ "

Magnolia Small Copper Wall Bracket	
<b>St. James LIGHTING</b>	
SCALE: N.T.S.	DRAFT: B. Vial
FILE: MAGS	APP'D: J. Ragan
JOB: X	DATE: 6/20/17

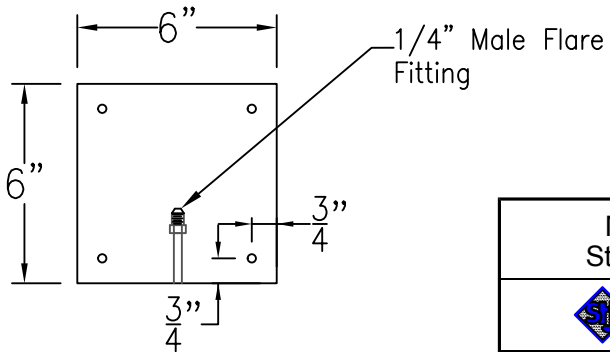
# MAGNOLIA SMALL STEEL WALL BRACKET

Available w/ Solid or  
Glass top



Front View

Side View



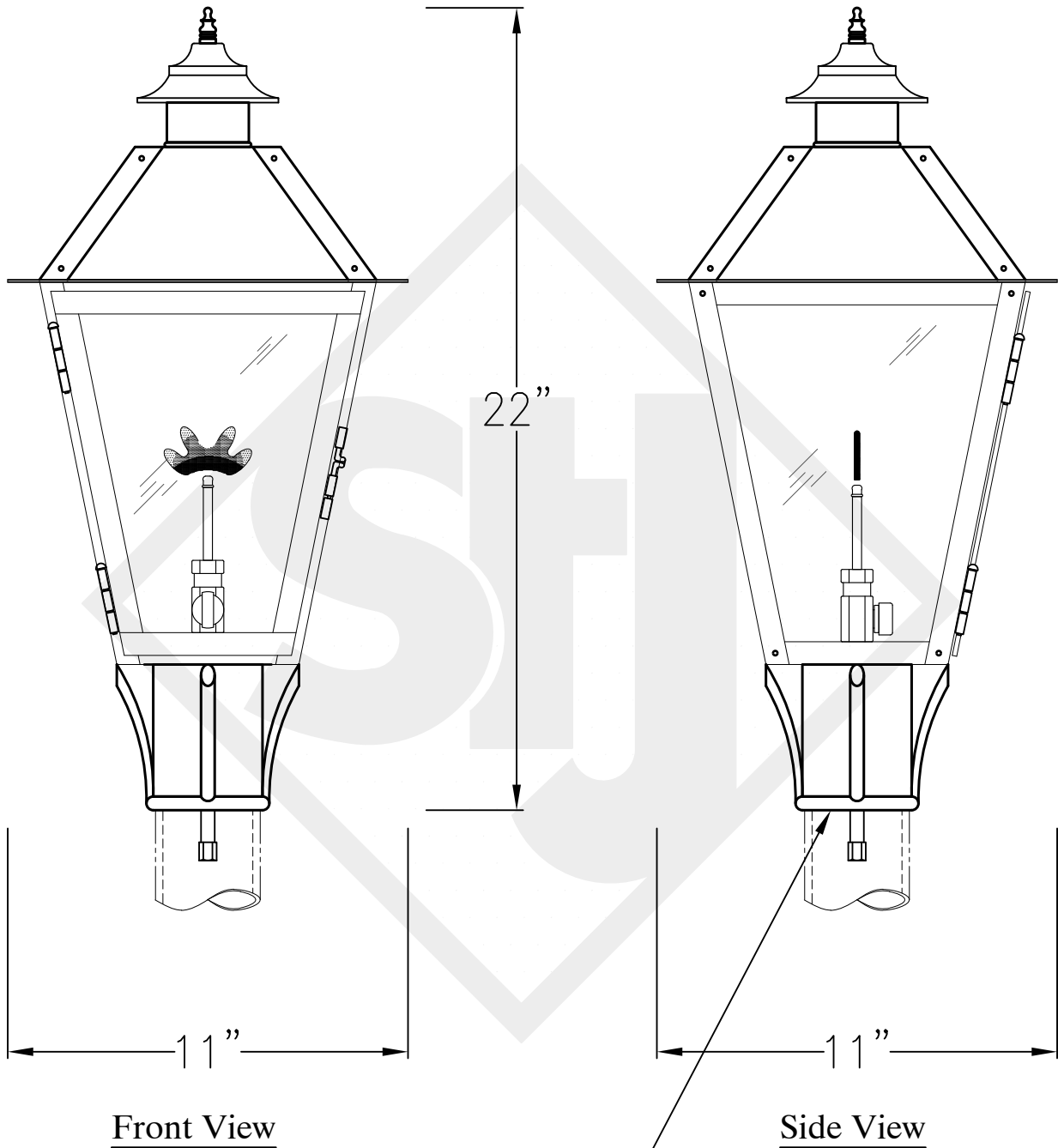
Backplate

Lights are hand crafted  
Dimensions may vary by  $\frac{1}{4}$ "

Magnolia Small Steel Wall Bracket	
<b>St. James LIGHTING</b>	
SCALE: N.T.S.	DRAFT: B. Vial
FILE: MAGS	APP'D: J. Ragan
JOB: X	DATE: 9/29/17

# MAGNOLIA SMALL COPPER POST MOUNT

Available w/ Solid or  
Glass top




Front View

Side View

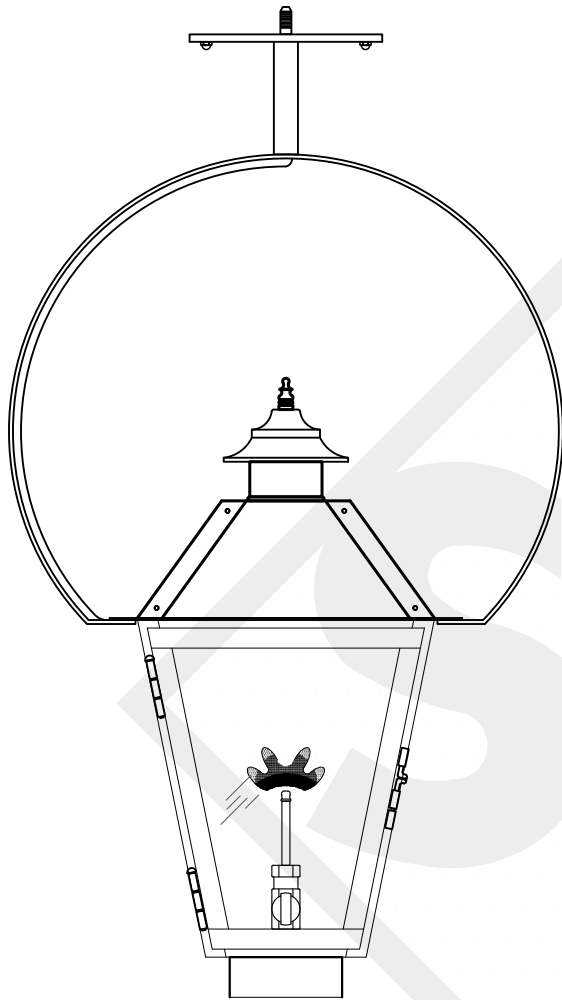
Fits over 3" post  
1/4" Female Flare  
Fitting

Lights are hand crafted  
Dimensions may vary by 1/4"

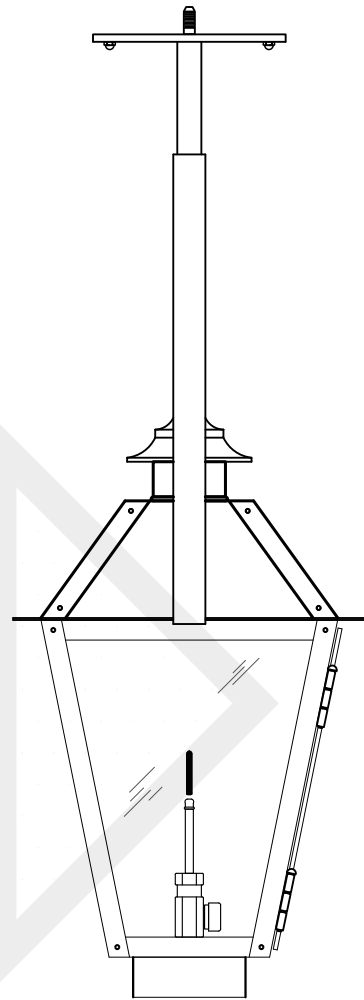
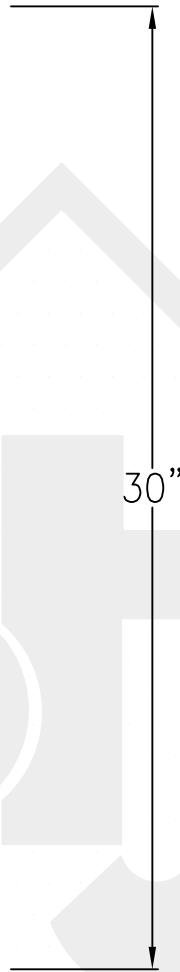
Magnolia Small Copper Post Mount	
 St. James LIGHTING	
SCALE: N.T.S.	DRAFT: B. Vial
FILE: MAGS	APP'D: J. Ragan
JOB: X	DATE: 9/29/17

# MAGNOLIA SMALL HALF (CEILING) YOKE

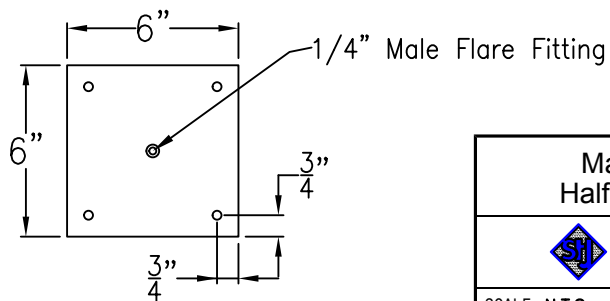
Shortest Height 28  $\frac{3}{4}$ "



Front View



Side View



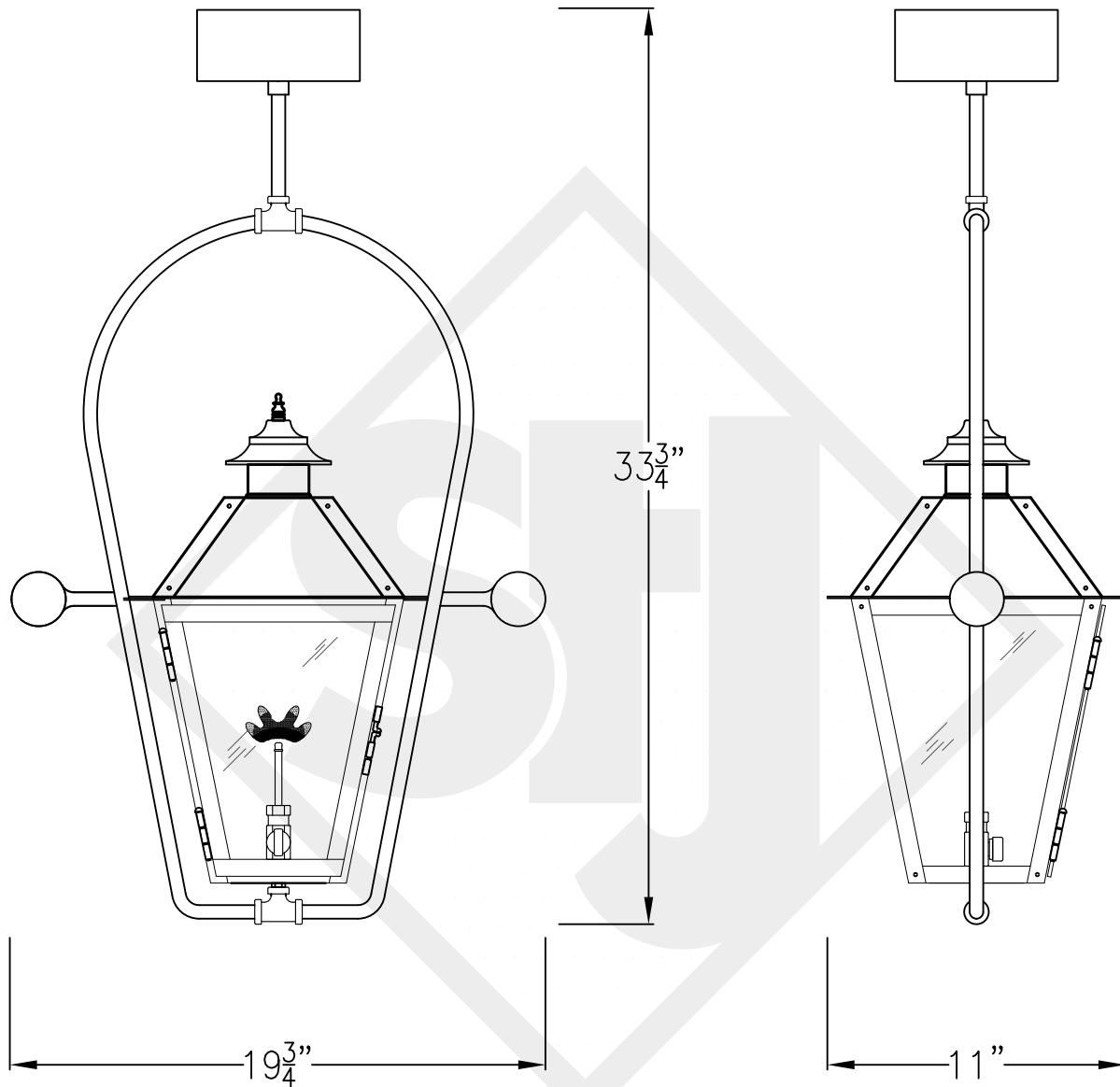
Ceiling Mount

Lights are hand crafted  
Dimensions may vary by 1/4"

Magnolia Small Half (Ceiling) Yoke	
<b>St. James LIGHTING</b>	
SCALE: N.T.S.	DRAFT: B. Vial
FILE: MAGS	APP'D: J. Ragan
JOB: X	DATE: 9/29/17

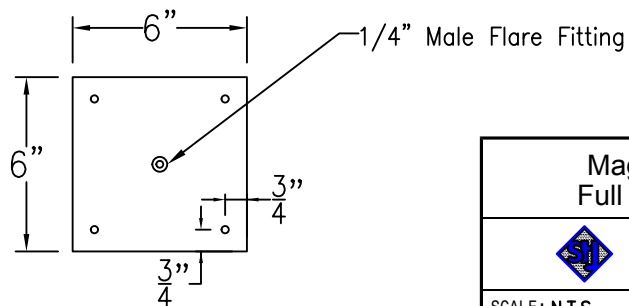
# MAGNOLIA SMALL FULL CEILING YOKE

Shortest Height 29"  
Available w/ Solid  
or Glass top



Front View

Side View



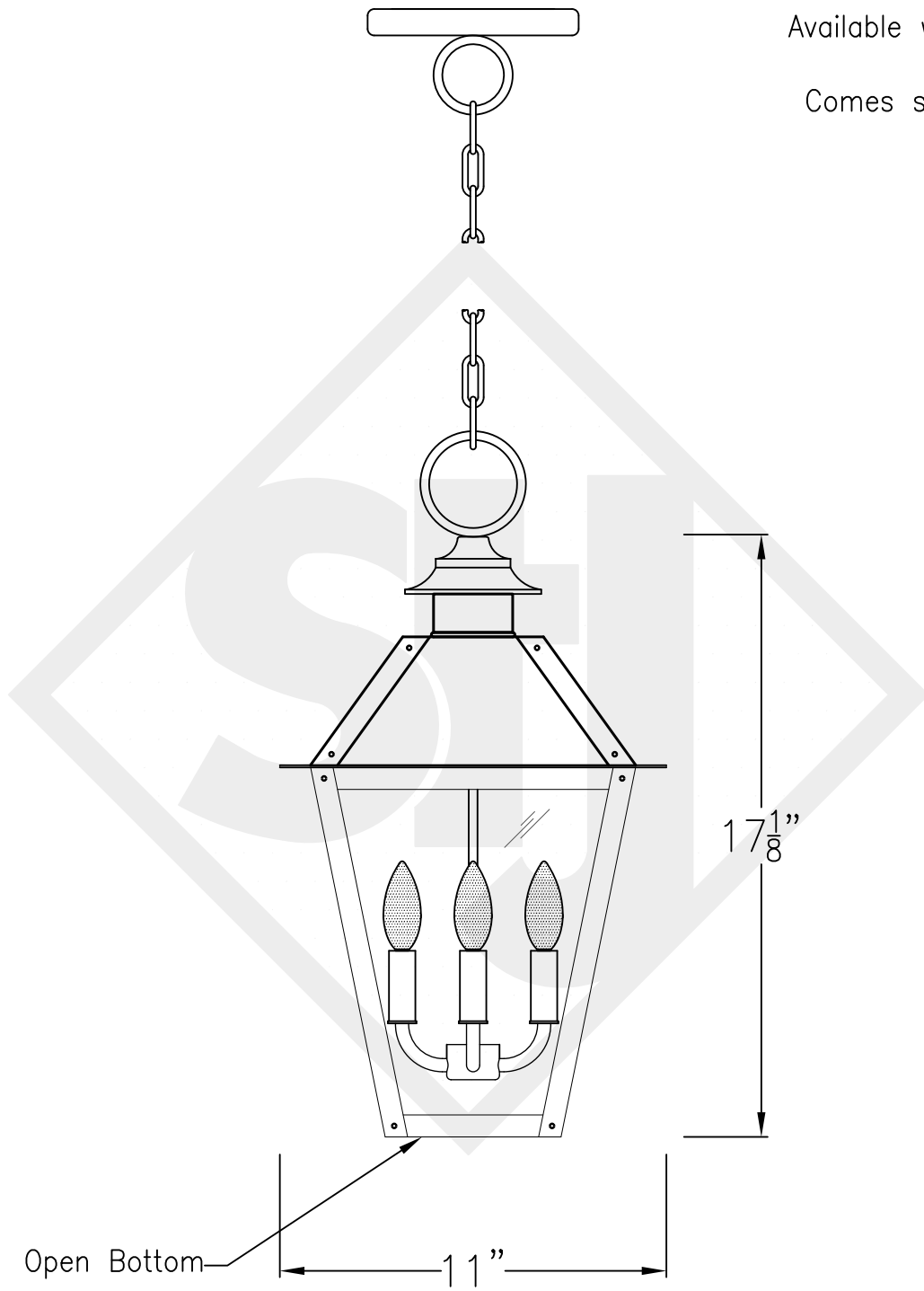
Ceiling Mount

Lights are hand crafted  
Dimensions may vary by 1/4"

Magnolia Small Full Ceiling Yoke	
<b>St. James LIGHTING</b>	
SCALE: N.T.S.	DRAFT: B. Vial
FILE: MAGS	APP'D: J. Ragan
JOB: X	DATE: 9/29/17


# MAGNOLIA SMALL CHAIN HUNG PENDANT

Available w/ Solid or  
Glass top  
Comes standard w/  
6' of chain



Front View

Lights are hand crafted  
Dimensions may vary by 1/4"

Magnolia Small w/ Chain Hung Pendant	
 St. James LIGHTING	
SCALE: N.T.S.	DRAFT: B. Vial
FILE: MAGS	APP'D: J. Ragan
JOB: X	DATE: 9/29/17