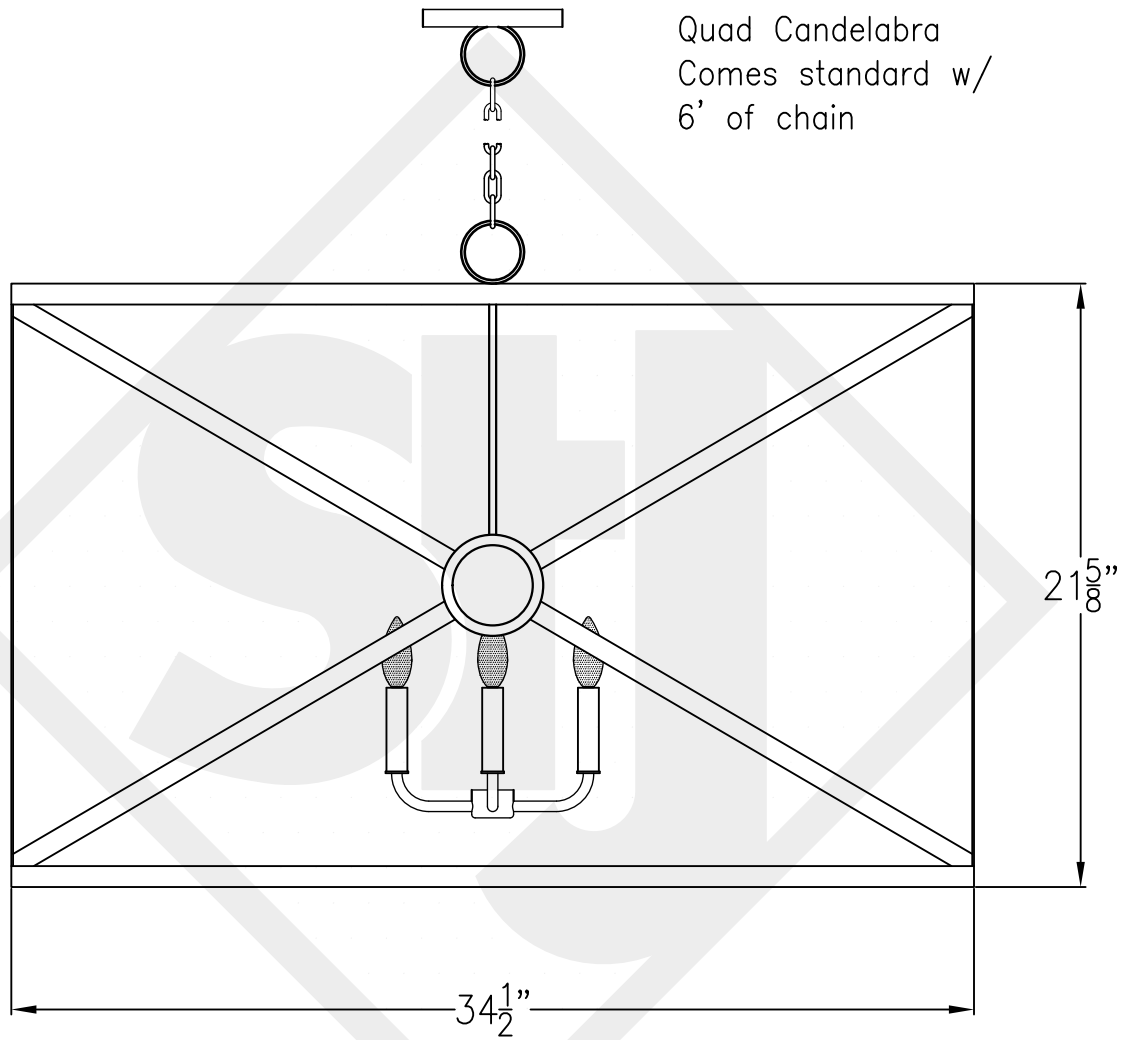


X DRUM GRANDE



Front View

Lights are hand crafted
Dimensions may vary by 1/4"

X Drum Grande	
St. James LIGHTING	
SCALE: N.T.S.	DRAFT: B. Vial
FILE: WINN	APP'D: J. Ragan
JOB: X	DATE: 10/12/17