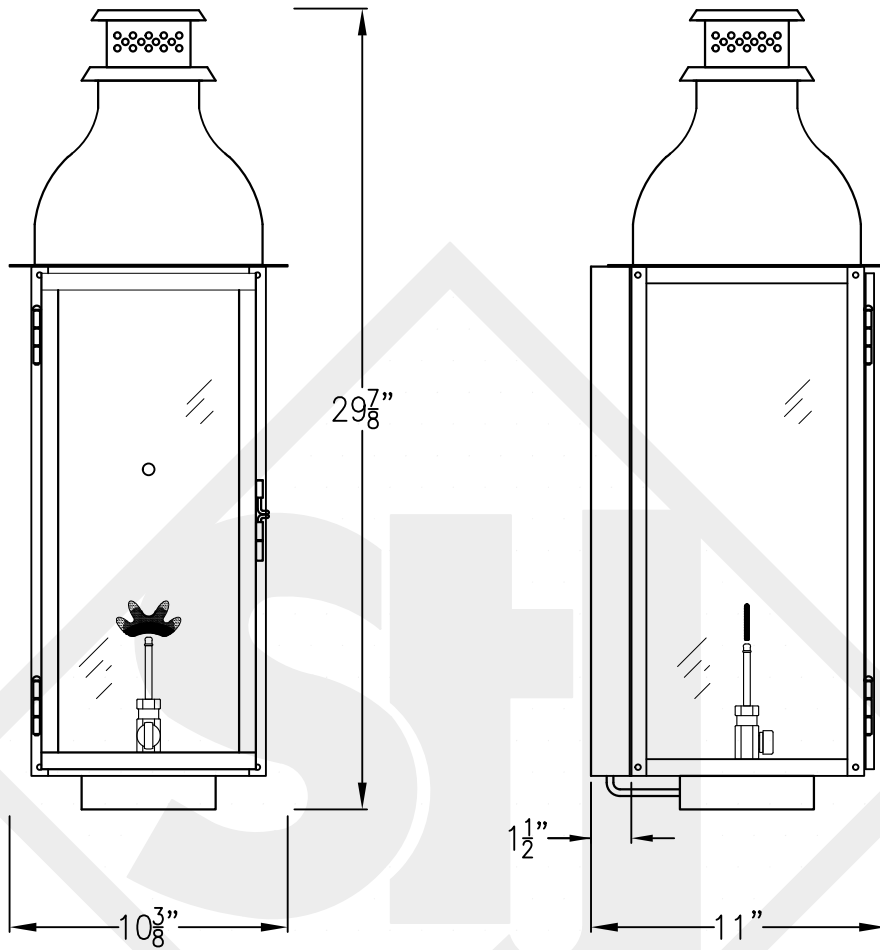
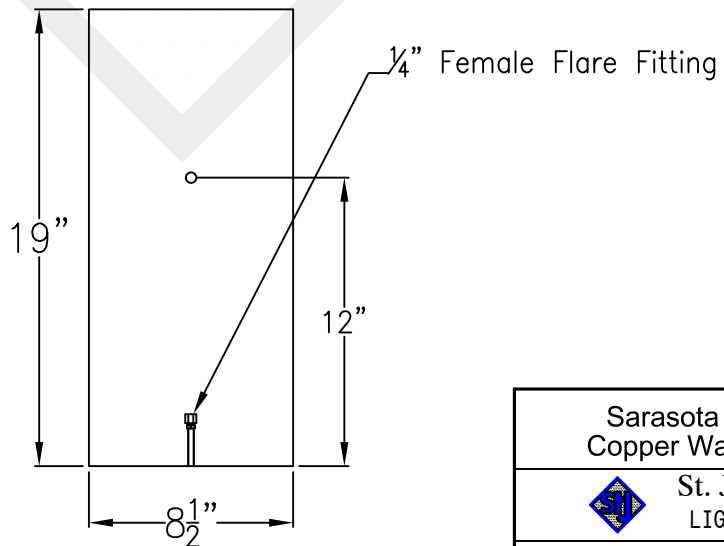


# SARASOTA MEDIUM COPPER WALL BRACKET



Front View

Side View

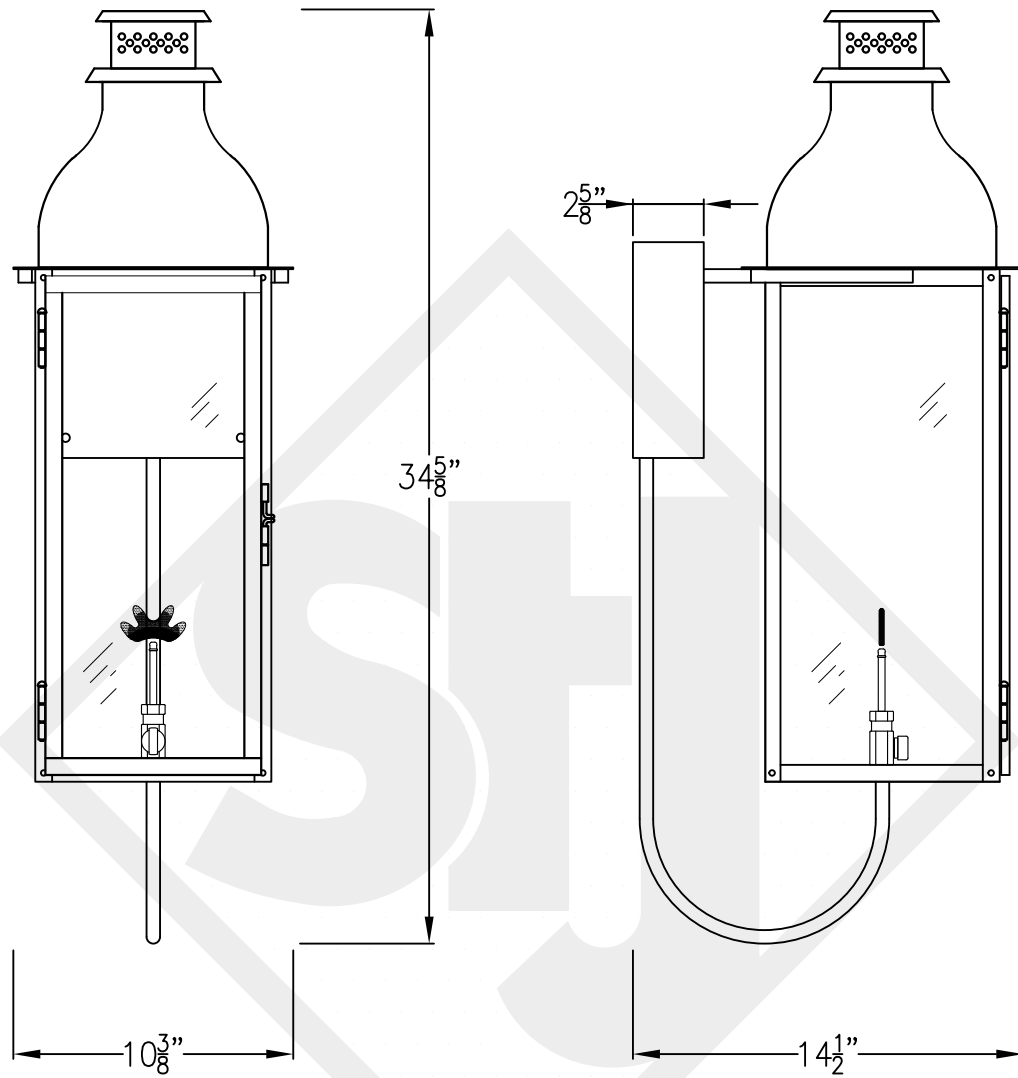


Backplate

Lights are hand crafted  
Dimensions may vary by 1/4"

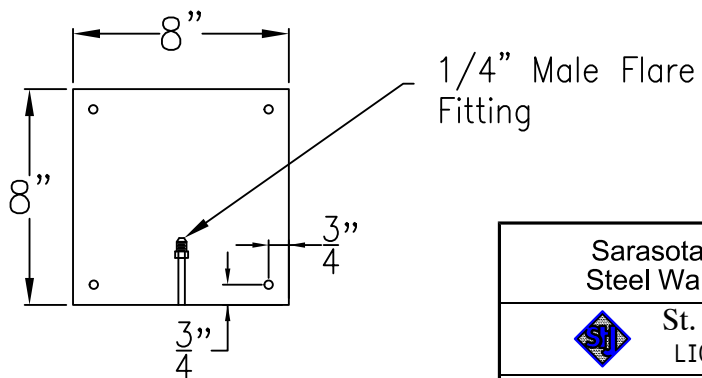
Sarasota Medium Copper Wall Bracket	
<b>St. James LIGHTING</b>	
SCALE: N.T.S.	DRAFT: B. Vial
FILE: SARM	APP'D: J. Ragan
JOB: X	DATE: 10/2/17

# SARASOTA MEDIUM STEEL WALL BRACKET




Front View

Side View

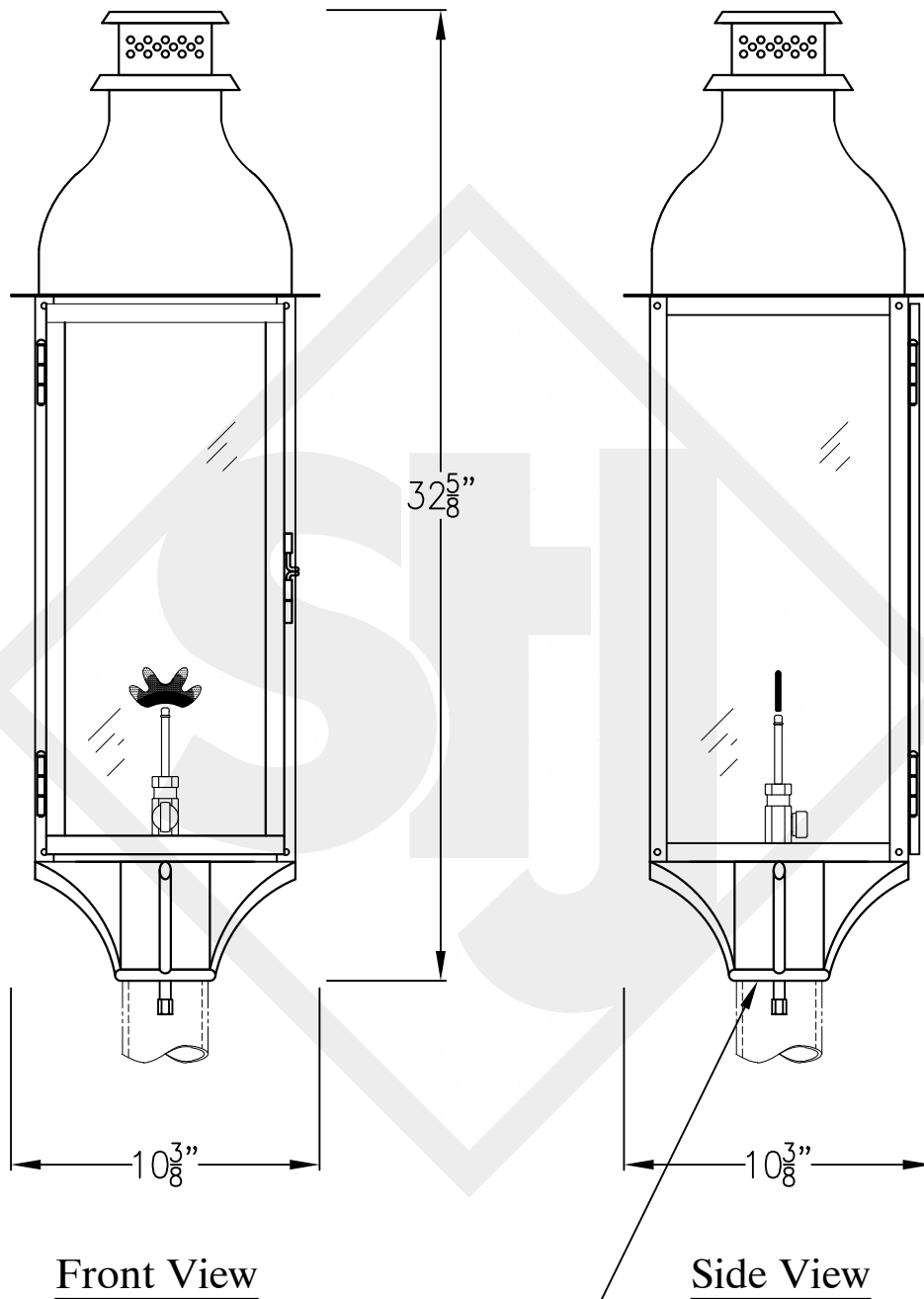


Backplate

Lights are hand crafted  
Dimensions may vary by 1/4"


Sarasota Medium Steel Wall Bracket	
 <b>St. James LIGHTING</b>	
SCALE: N.T.S.	DRAFT: B. Vial
FILE: SARM	APP'D: J. Ragan
JOB: X	DATE: 10/6/17

# SARASOTA MEDIUM COPPER POST MOUNT



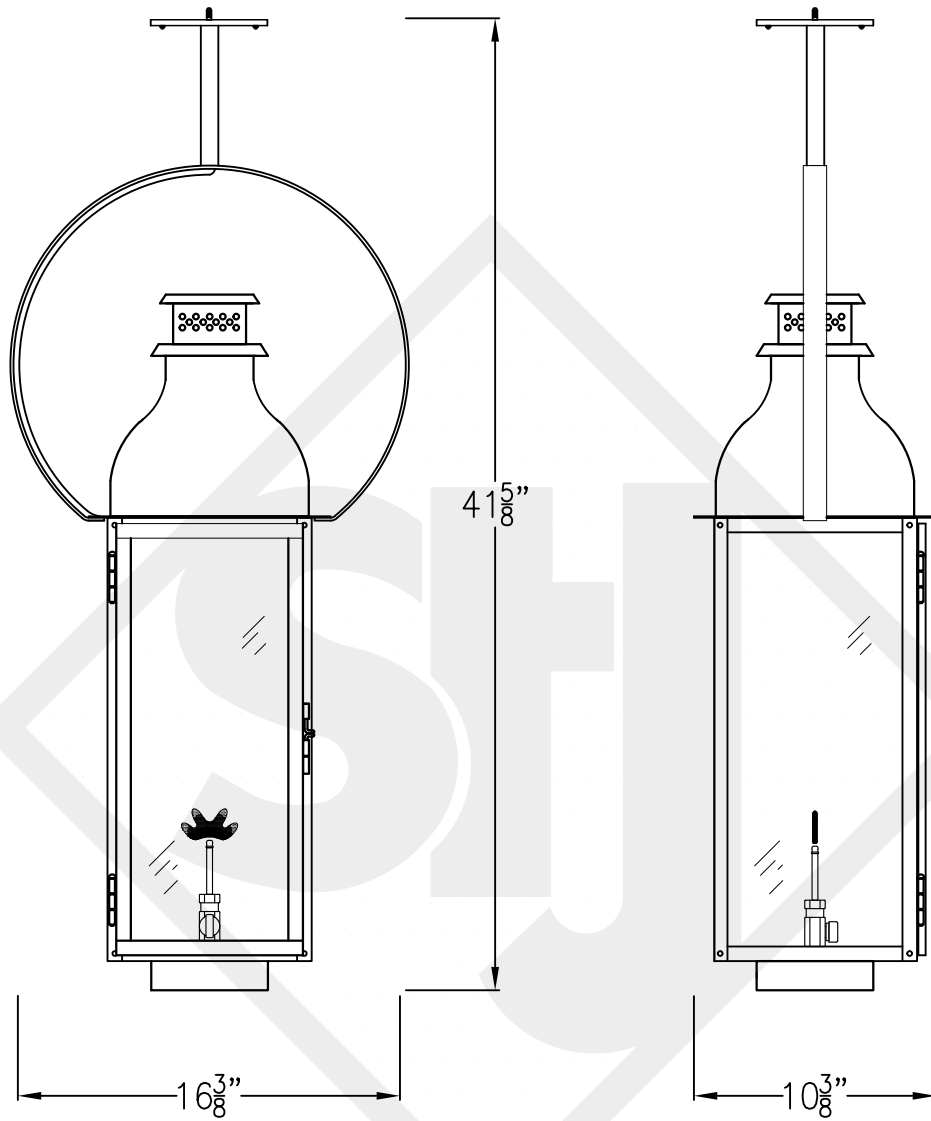
Fits over 3" post  
 $\frac{1}{4}$ " Female Flare Fitting

Lights are hand crafted  
 Dimensions may vary by 1/4"

Sarasota Medium Copper Post Mount	
 <b>St. James LIGHTING</b>	
SCALE: N.T.S.	DRAFT: B. Vial
FILE: SARM	APP'D: J. Ragan
JOB: X	DATE: 10/6/17

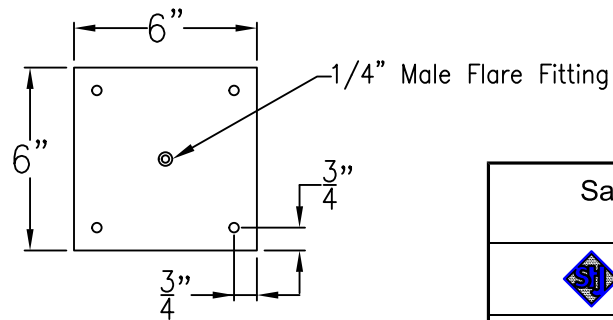
# SARASOTA MEDIUM HALF YOKE

Shortest Height 41 1/2"



Front View

Side View



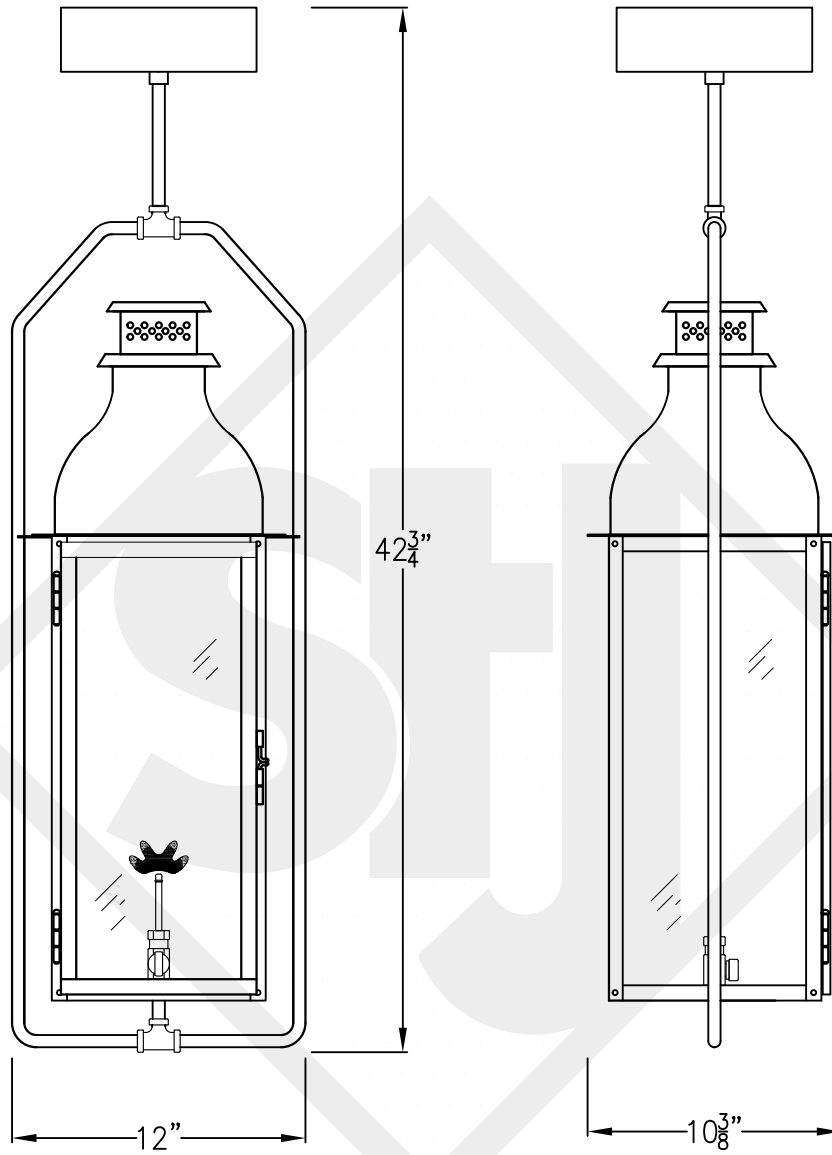
Ceiling Mount

Lights are hand crafted  
Dimensions may vary by 1/4"

Sarasota Medium Half Yoke	
<b>St. James LIGHTING</b>	
SCALE: N.T.S.	DRAFT: B. Vial
FILE: SARM	APP'D: J. Ragan
JOB: X	DATE: 10/6/17

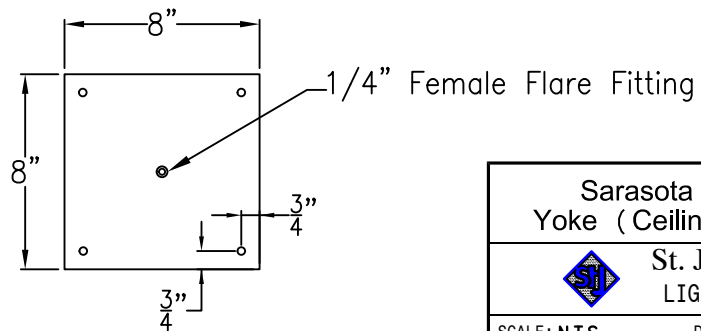
# SARASOTA MEDIUM YOKE (CEILING) BRACKET

Shortest Height 42 <sup>3</sup>/<sub>4</sub>"



Front View

Side View



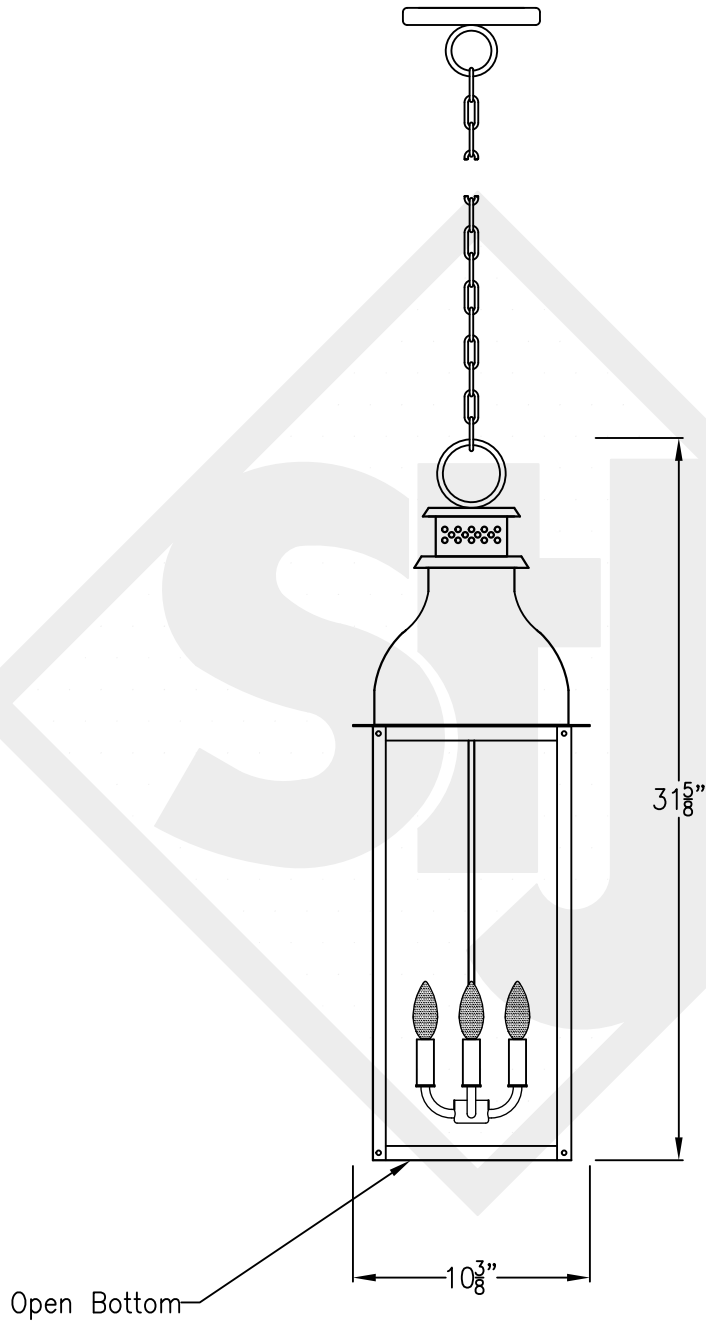
Ceiling Mount

Lights are hand crafted  
Dimensions may vary by 1/4"

Sarasota Medium Yoke (Ceiling) Bracket	
St. James LIGHTING	
SCALE: N.T.S.	DRAFT: B. Vial
FILE: SARM	APP'D: J. Ragan
JOB: X	DATE: 10/6/17


# SARASOTA MEDIUM CHAIN HUNG PENDANT

Comes standard w/  
6' of chain



Front View

Lights are hand crafted  
Dimensions may vary by 1/4"

Sarasota Medium Chain Hung Pendant	
 St. James LIGHTING	
SCALE: N.T.S.	DRAFT: B. Vial
FILE: SARM	APP'D: J. Ragan
JOB: X	DATE: 10/6/17