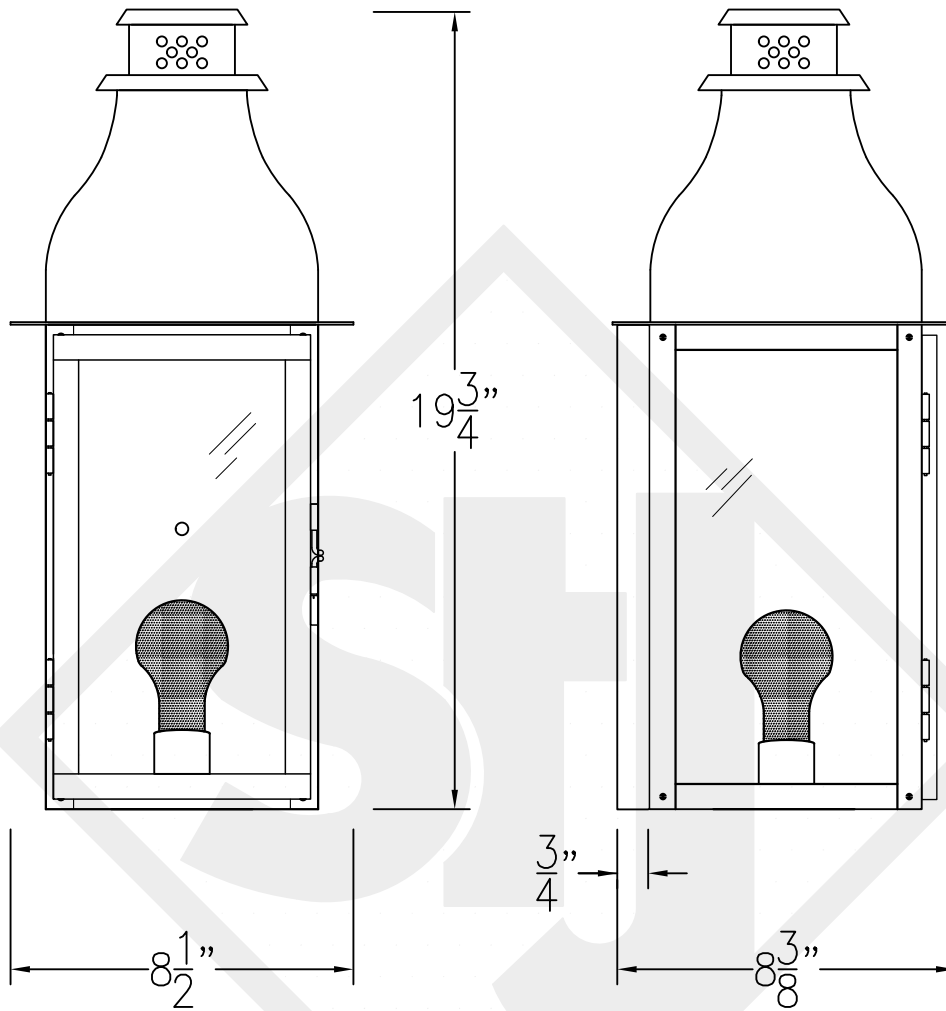
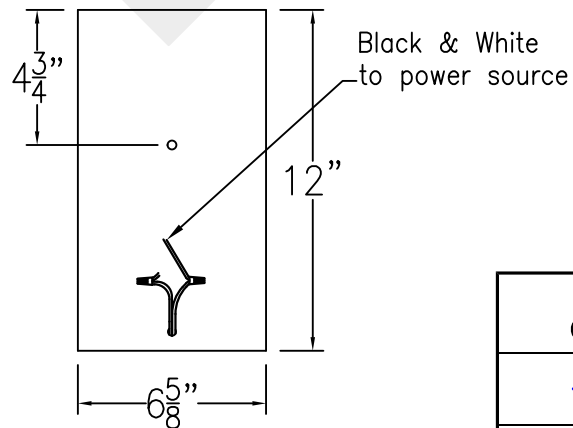


# SARASOTA MINI COPPER WALL BRACKET



Front View

Side View

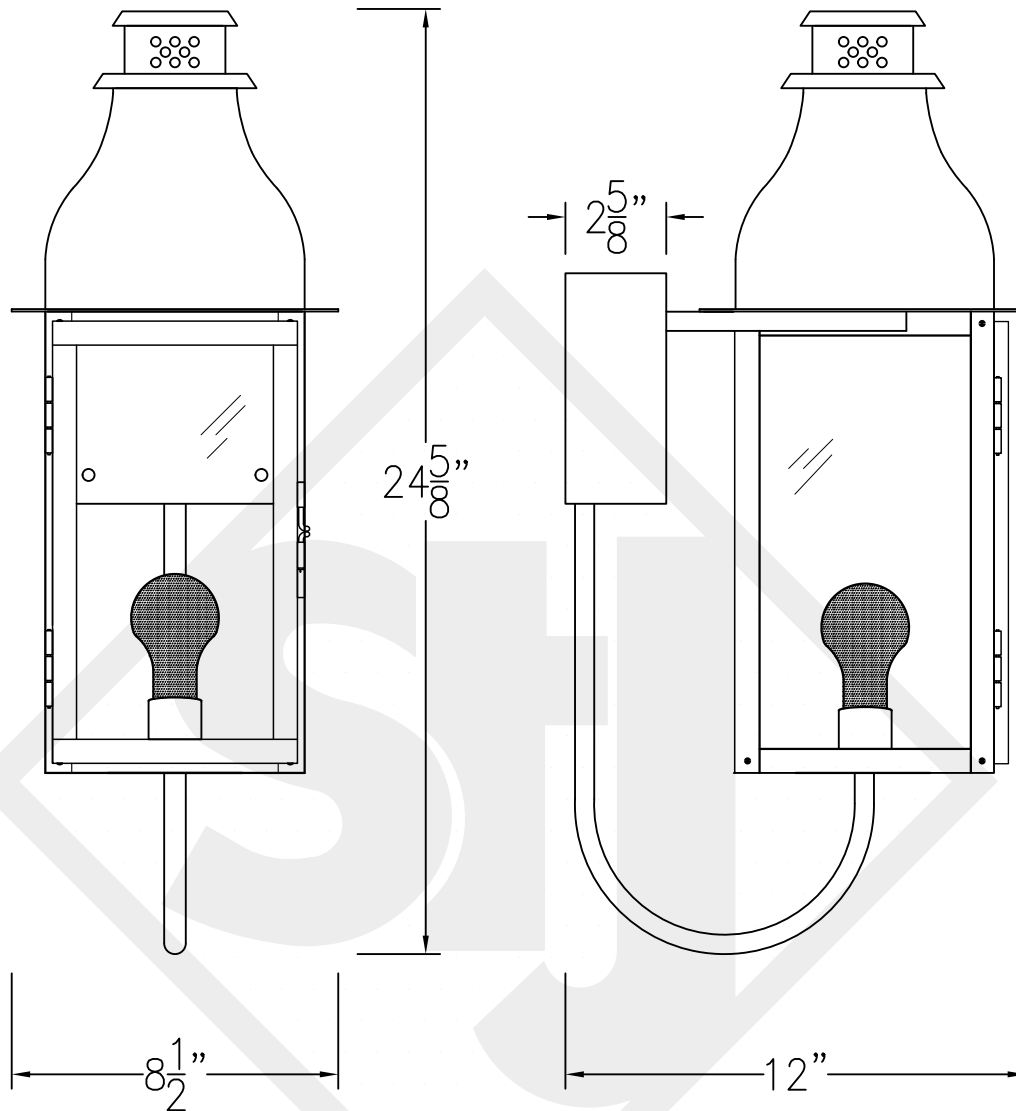


Backplate

Mini not available in Gas  
Lights are hand crafted  
Dimensions may vary by 1/4"

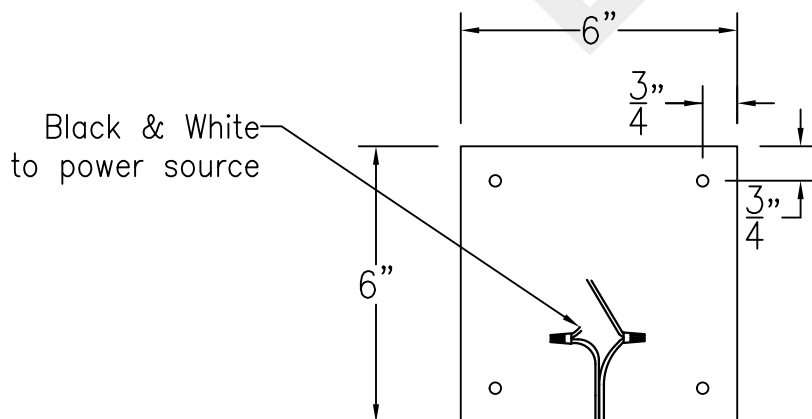
Sarasota Mini Copper Wall Bracket	
<b>St. James LIGHTING</b>	
SCALE: N.T.S.	DRAFT: B. Vial
FILE: SARS	APP'D: J. Ragan
JOB: X	DATE: 10/5/17

# SARASOTA MINI STEEL WALL BRACKET



Front View

Side View

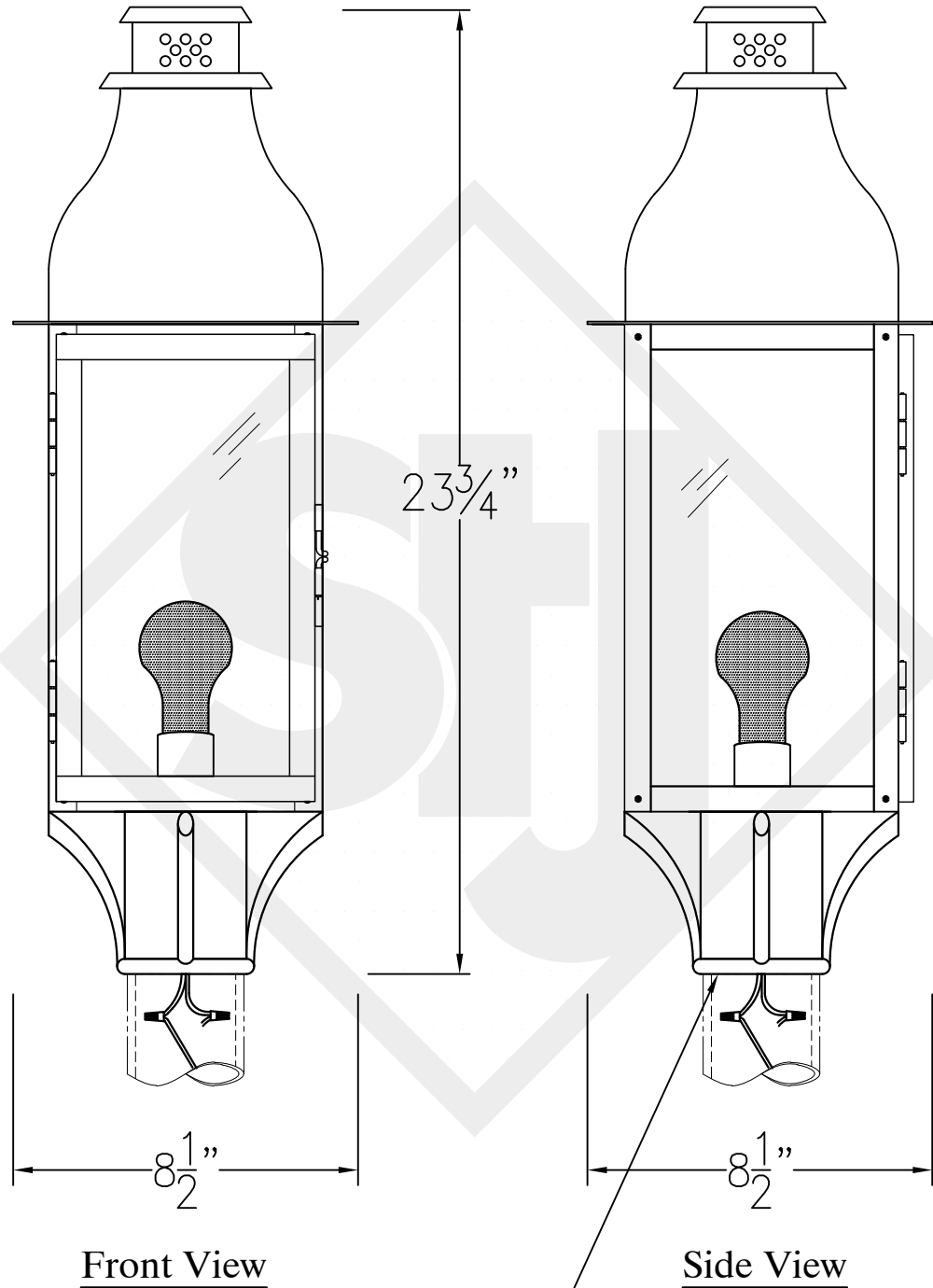


Backplate

Mini not available in Gas  
Lights are hand crafted  
Dimensions may vary by 1/4"

Sarasota Mini Steel Wall Bracket	
St. James LIGHTING	
SCALE: N.T.S.	DRAFT: B. Vial
FILE: SARS	APP'D: J. Ragan
JOB: X	DATE: 5/5/17

# SARASOTA MINI COPPER POST MOUNT

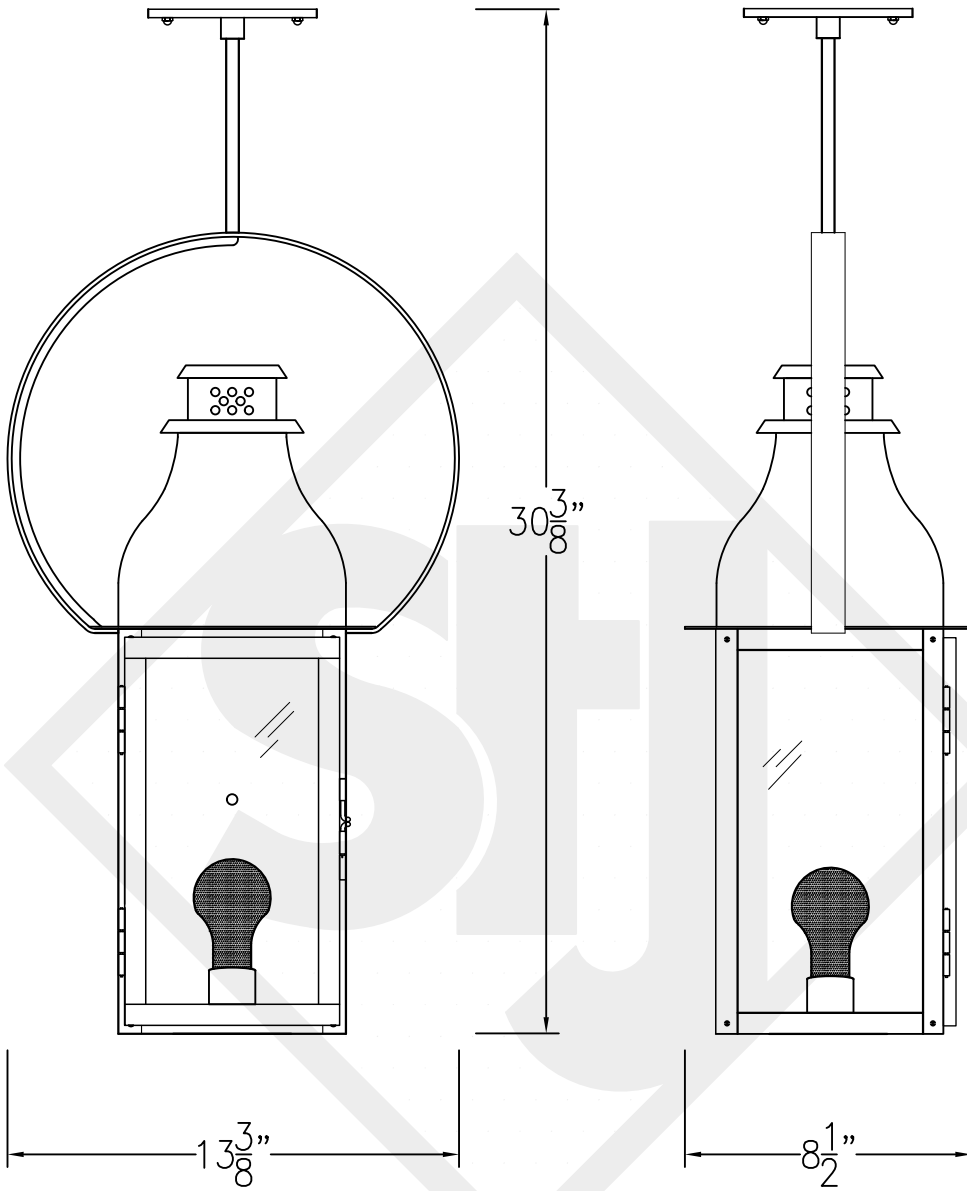


Fits over 3" post  
Black & White to  
power source

Mini not available in Gas  
Lights are hand crafted  
Dimensions may vary by 1/4"

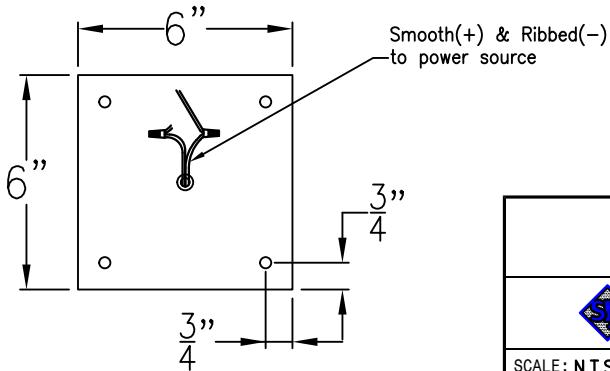
Sarasota Mini Copper Post	
<b>St. James LIGHTING</b>	
SCALE: N.T.S.	DRAFT: B. Vial
FILE: SARS	APP'D: J. Ragan
JOB: X	DATE: 5/5/17

# SARASOTA MINI HALF YOKE



Front View

Side View

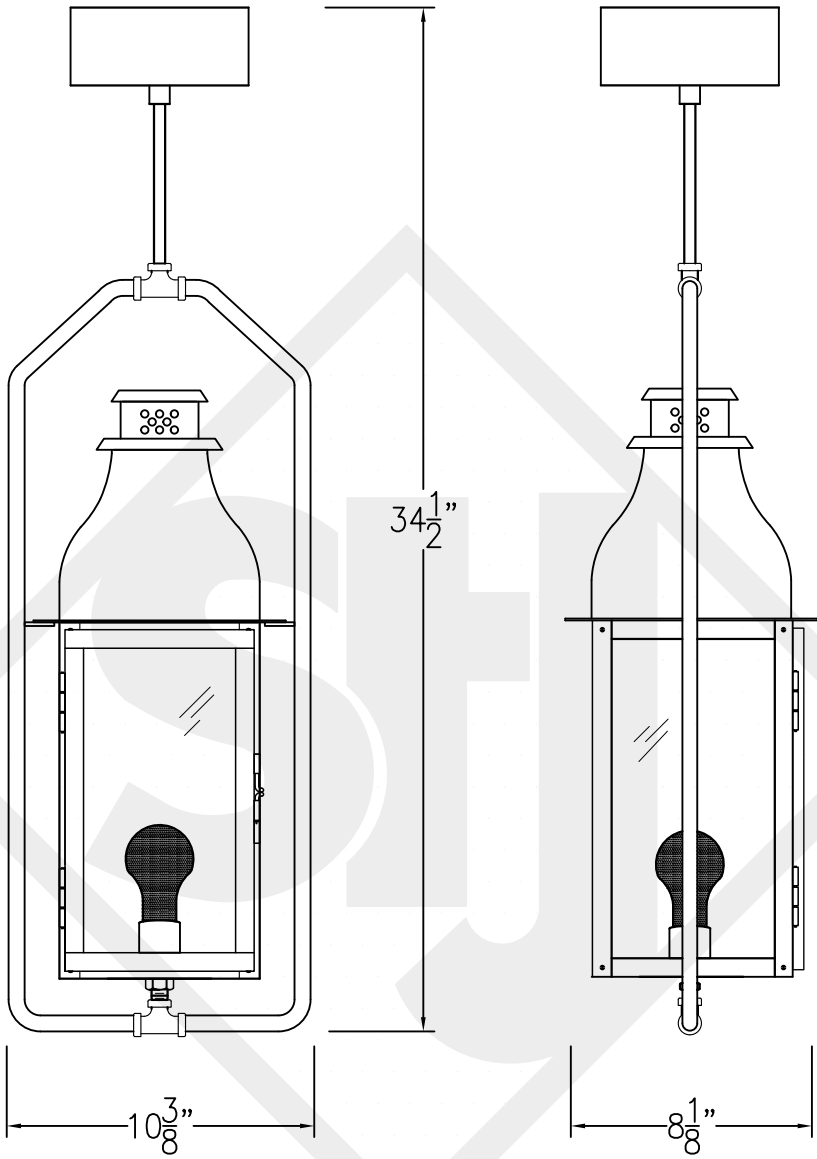


Ceiling Mount

Mini not available in Gas  
Lights are hand crafted  
Dimensions may vary by 1/4"

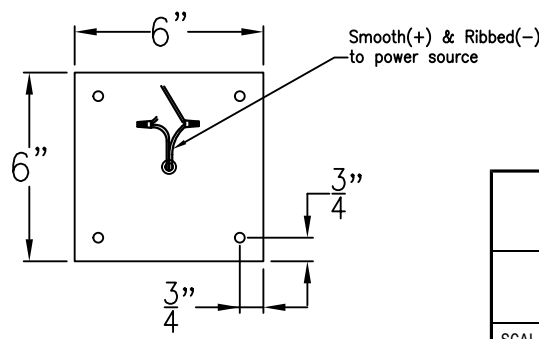
Sarasota Mini Half Yoke	
<b>St. James LIGHTING</b>	
SCALE: N.T.S.	DRAFT: B. Vial
FILE: SARS	APP'D: J. Ragan
JOB: X	DATE: 10/18/17

# SARASOTA MINI FULL YOKE



Front View

Side View



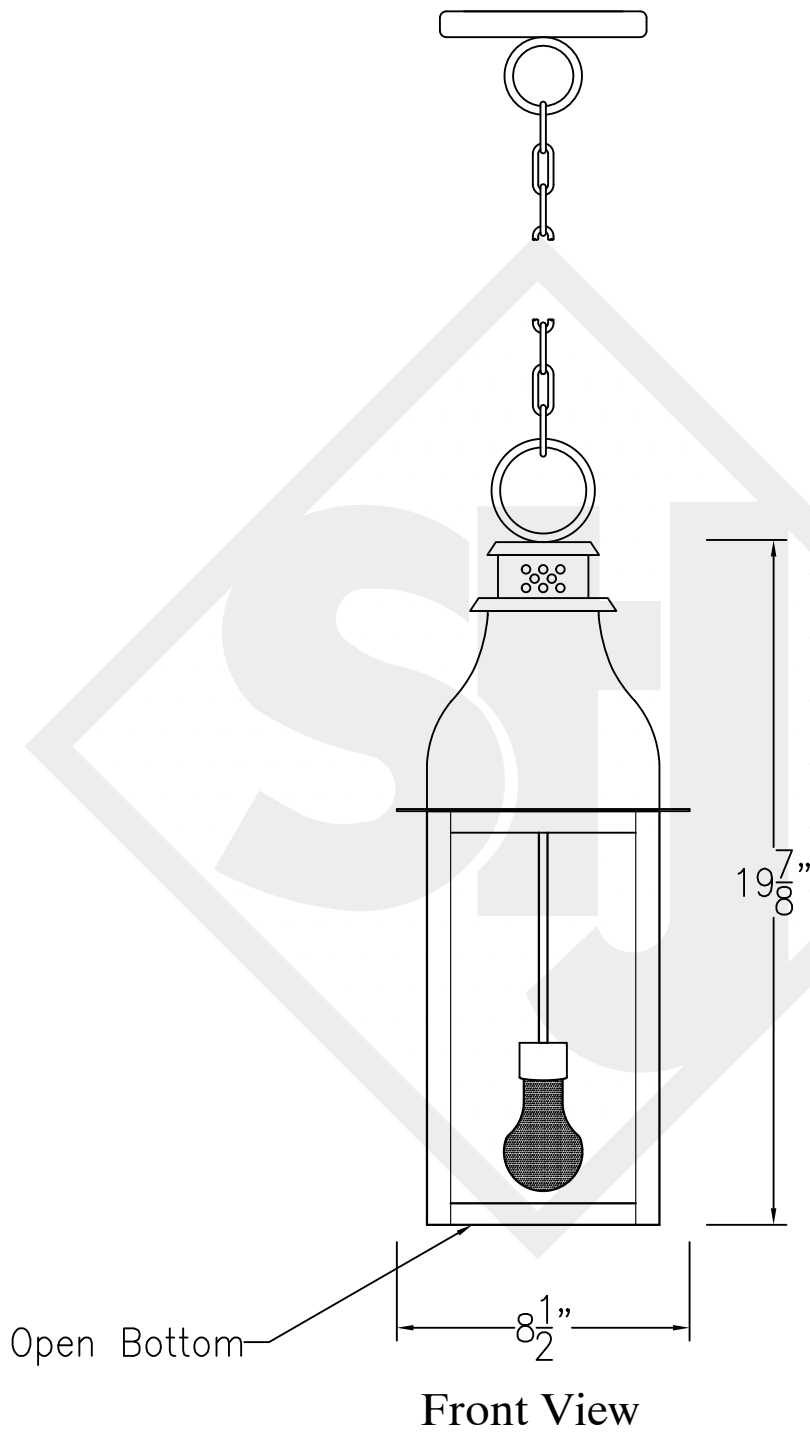
Ceiling Mount

Mini not available in Gas  
Lights are hand crafted  
Dimensions may vary by 1/4"


Sarasota Mini Full Yoke	
St. James LIGHTING	
SCALE: N.T.S.	DRAFT: B. Vial
FILE: SARS	APP'D: J. Ragan
JOB: X	DATE: 5/5/17

# SARASOTA MINI CHAIN HUNG PENDANT

Comes standard w/  
6' of chain



Mini not available in Gas  
Lights are hand crafted  
Dimensions may vary by 1/4"

Sarasota Mini Chain Hung Pendant	
 St. James LIGHTING	
SCALE: N.T.S.	DRAFT: B. Vial
FILE: SARS	APP'D: J. Ragan
JOB: X	DATE: 5/5/17