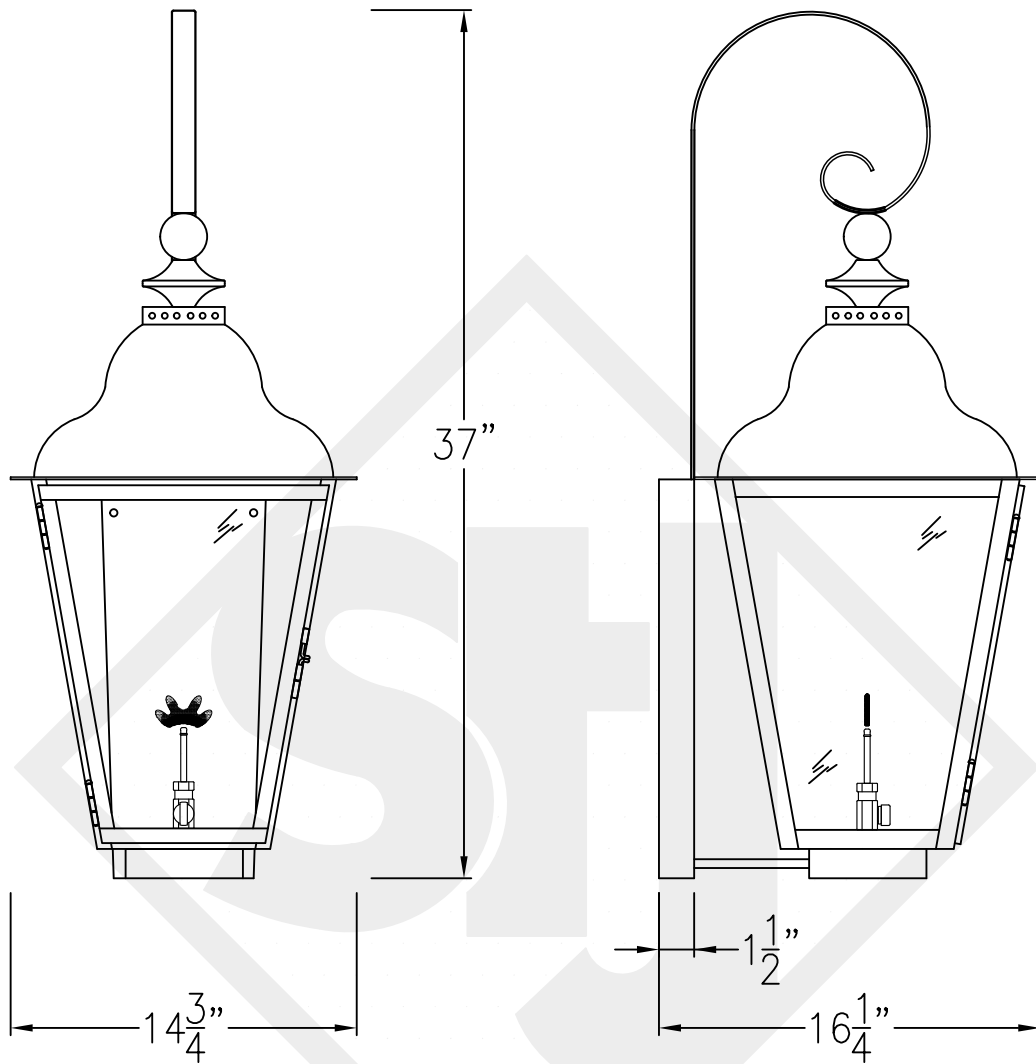
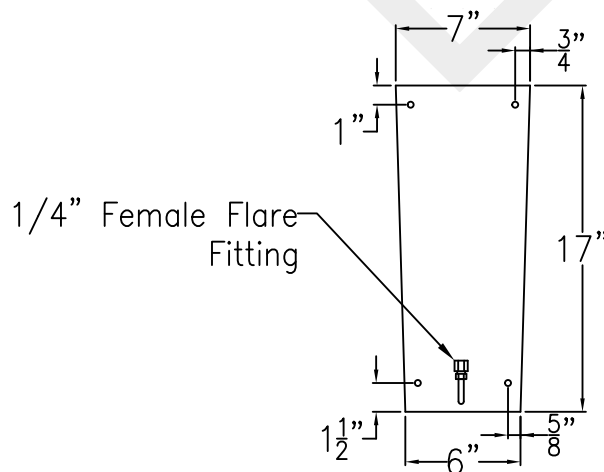


BRUNSWICK LARGE COPPER WALL BRACKET




Front View

Side View

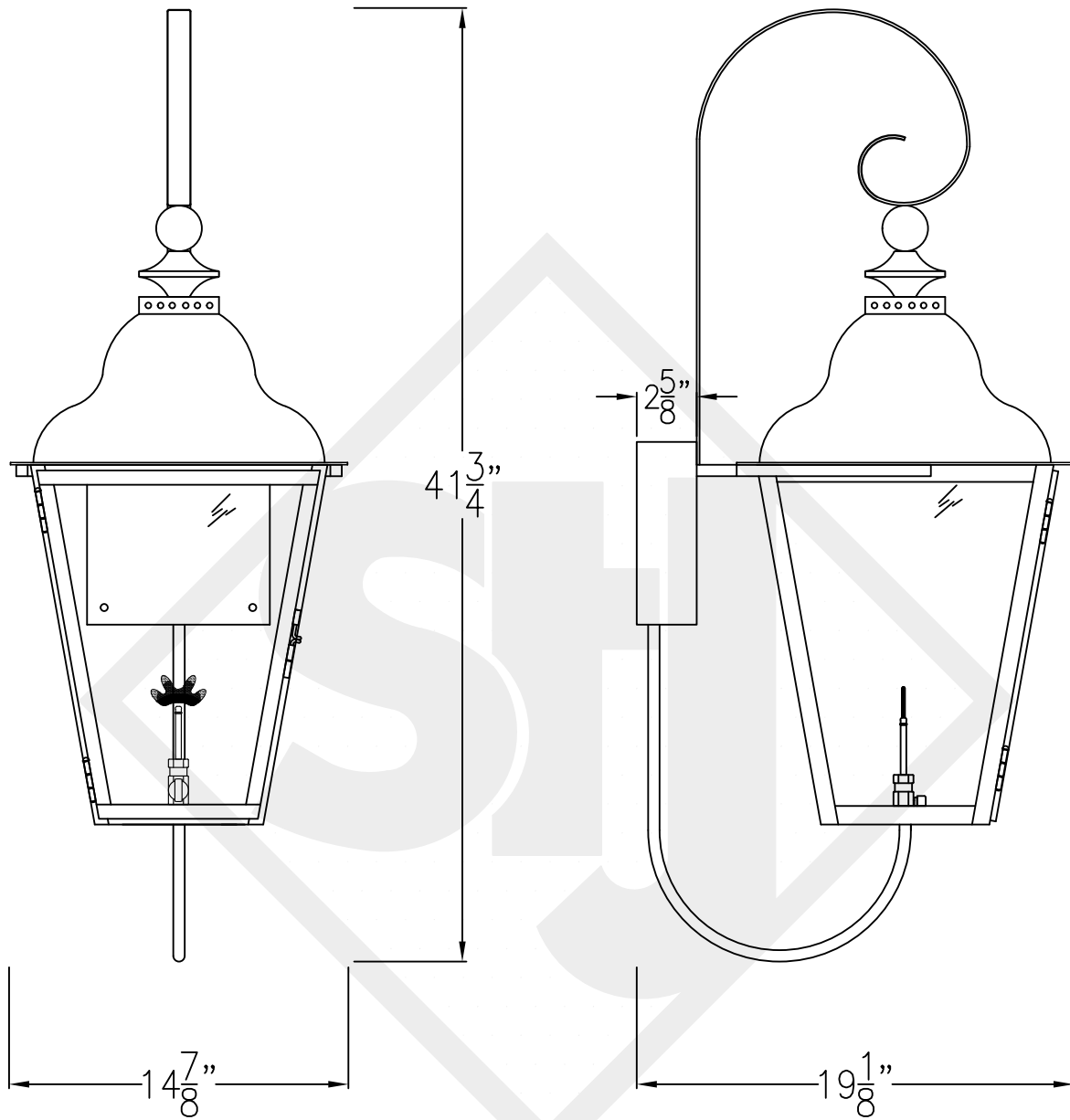


Backplate

Lights are hand crafted
Dimensions may vary by 1/4"

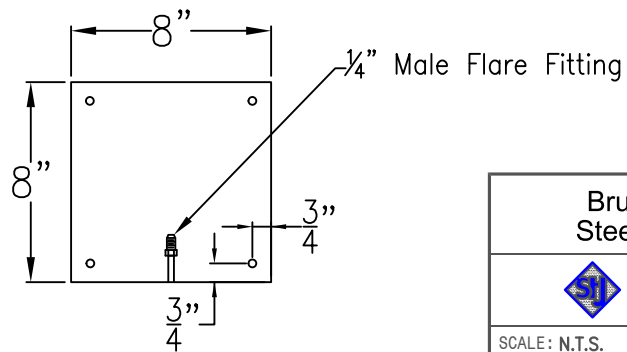
Brunswick Large Copper Wall Bracket	
 St. James LIGHTING	
SCALE: N.T.S.	DRAFT: B. Viol
FILE: BRUL	APP'D: J. Ragan
JOB: X	DATE: 9/6/17

BRUNSWICK LARGE STEEL WALL BRACKET



Front View

Side View

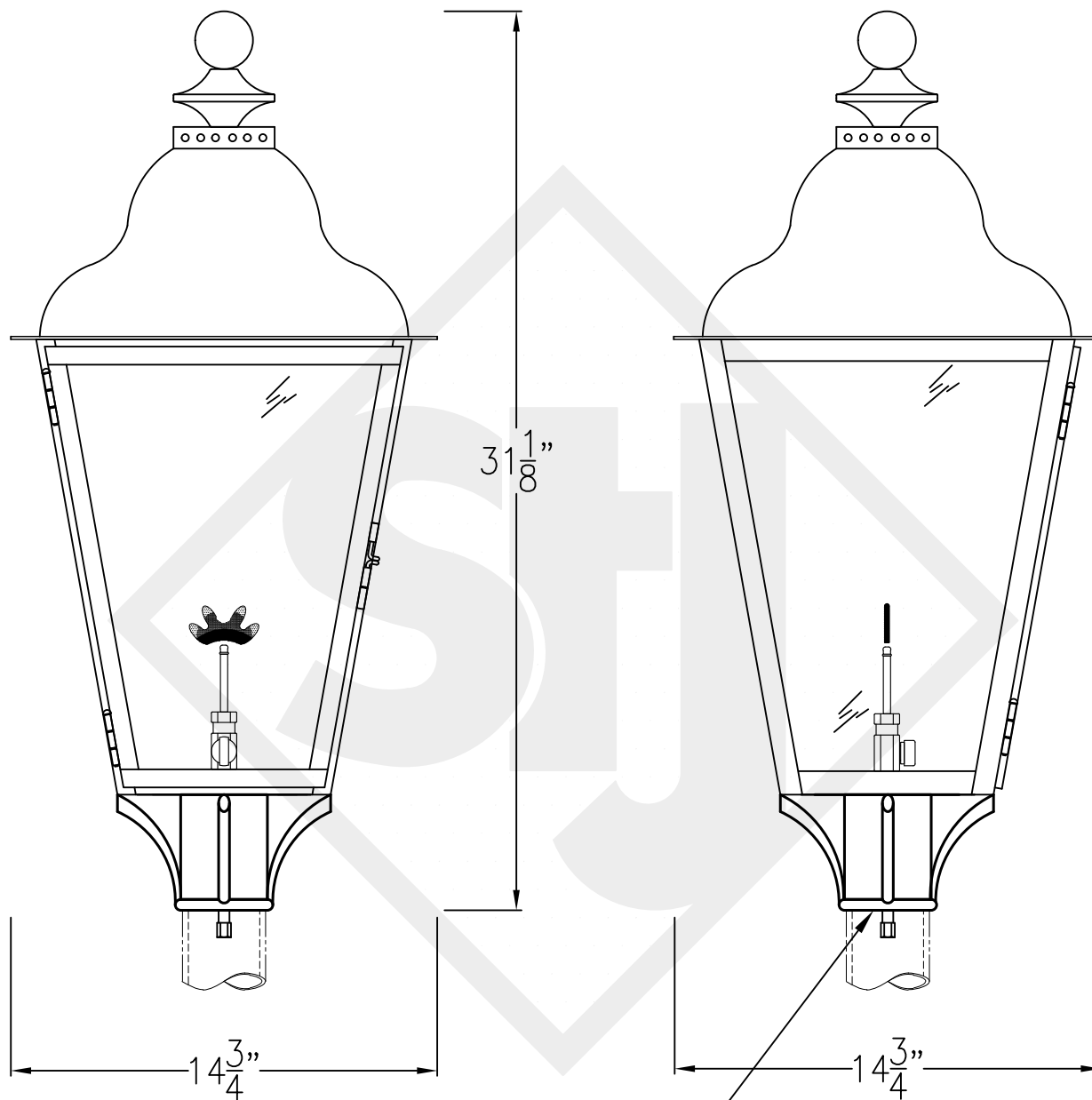


Backplate

Lights are hand crafted
Dimensions may vary by 1/4"

Brunswick Large Steel Wall Bracket	
St. James LIGHTING	
SCALE: N.T.S.	DRAFT: B. Vial
FILE: BRUL	APP'D: J. Ragan
JOB: X	DATE: 9/8/17

BRUNSWICK LARGE COPPER POST MOUNT




Front View

Side View

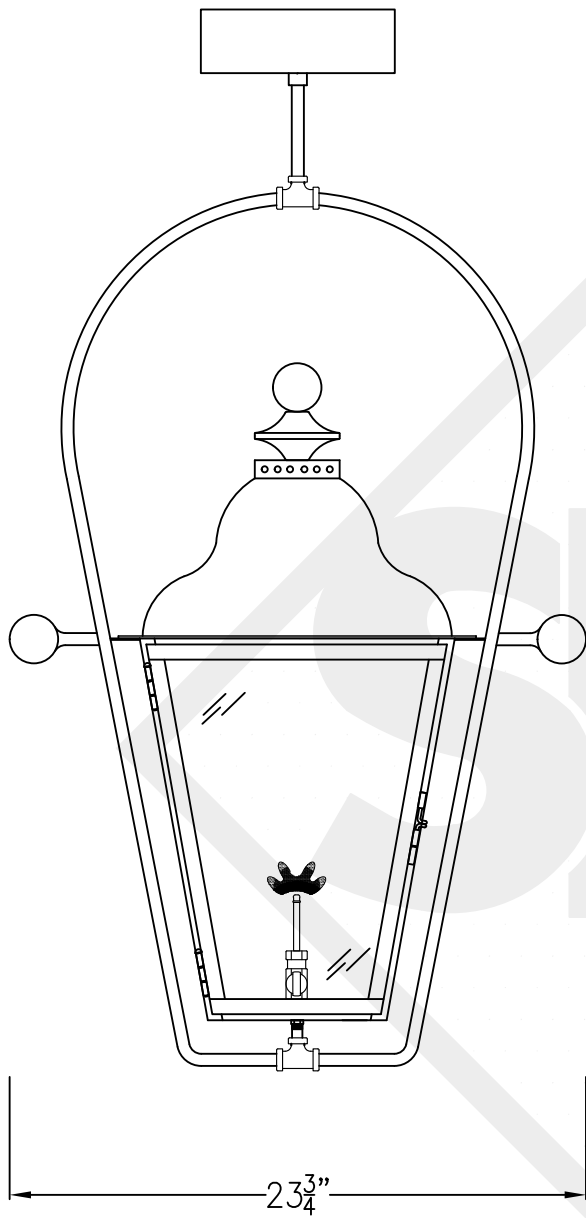
Fits over 3" post
1/4" Female Flare Fitting

Lights are hand crafted
Dimensions may vary by 1/4"

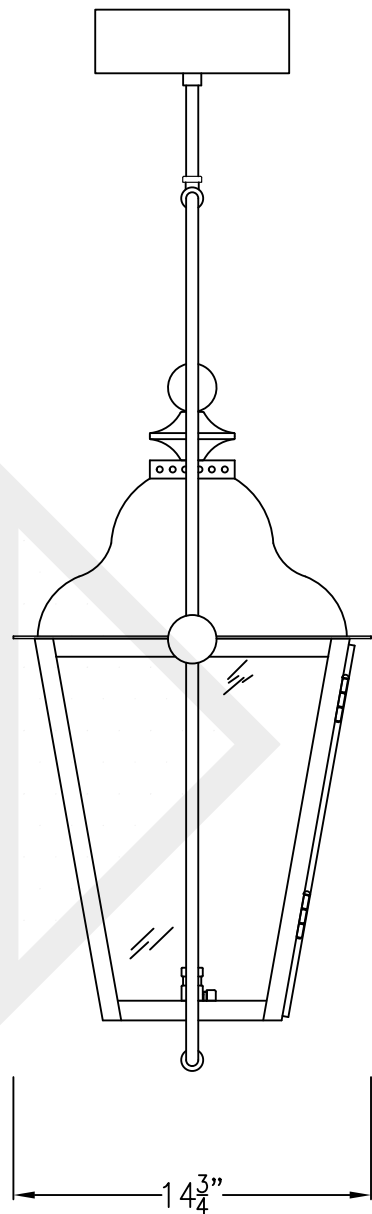
Brunswick Large Copper Post Mount	
 St. James LIGHTING	
SCALE: N.T.S.	DRAFT: B. Vial
FILE: BRUL	APP'D: J. Ragan
JOB: X	DATE: 9/6/17

BRUNSWICK LARGE FULL YOKE

Shortest Height 37 1/4"

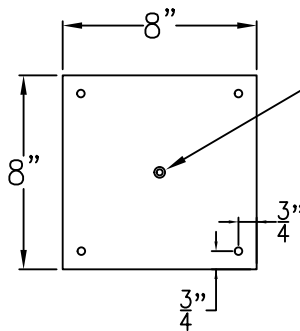


Front View



Side View

43 3/4"



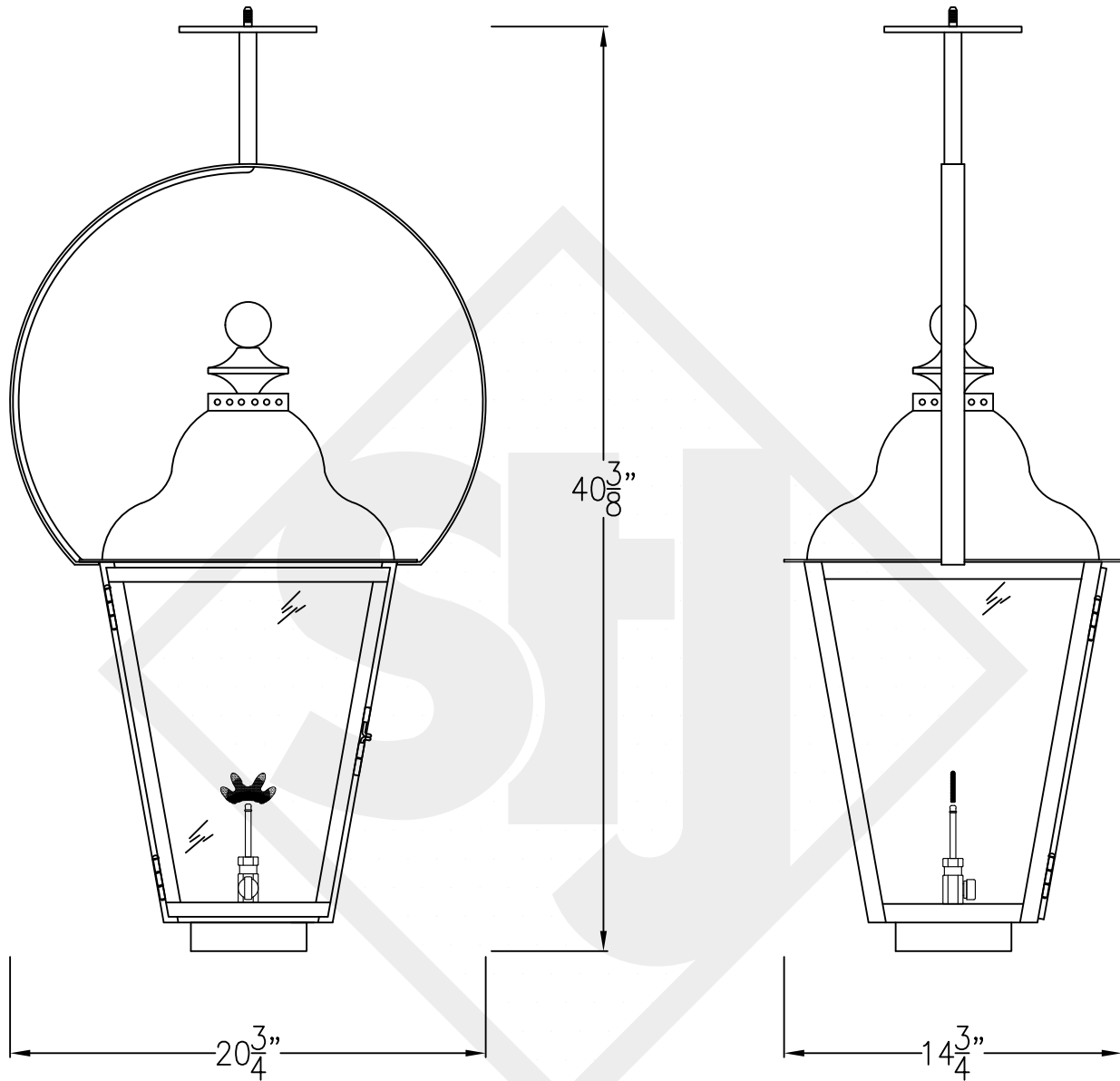
Ceiling Mount

Lights are hand crafted
Dimensions may vary by 1/4"

Brunswick Large Full Yoke	
St. James LIGHTING	
SCALE: N.T.S.	DRAFT: B. Vial
FILE: BRUL	APP'D: J. Ragan
JOB: X	DATE: 9/6/17

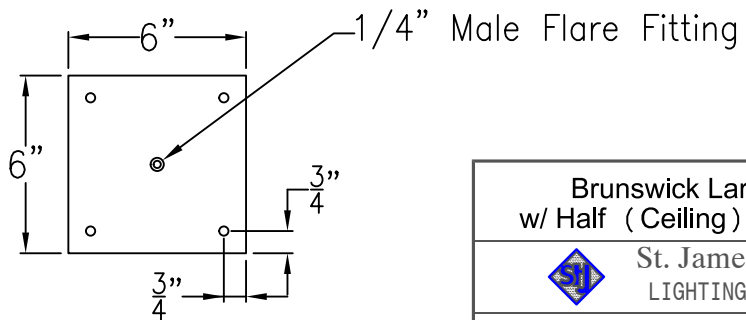
BRUNSWICK LARGE w/ HALF (CEILING) YOKE

Shortest Height 36 $\frac{3}{8}$ "



Front View

Side View

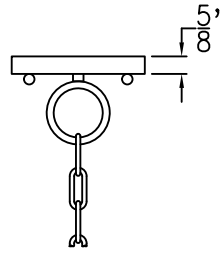


Ceiling Mount

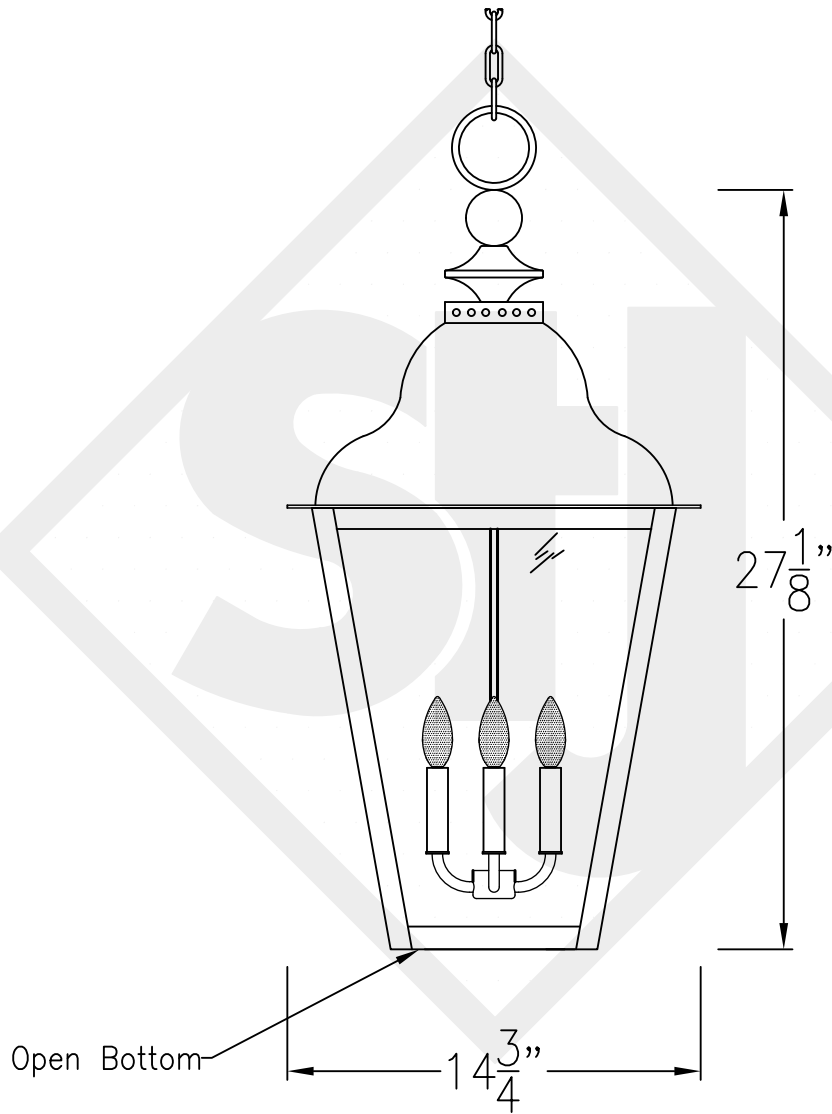
Lights are hand crafted
Dimensions may vary by 1/4"

Brunswick Large w/ Half (Ceiling) Yoke	
St. James LIGHTING	
SCALE: N.T.S.	DRAFT: B. Vial
FILE: BRUL	APP'D: J. Ragan
JOB: X	DATE: 9/6/17

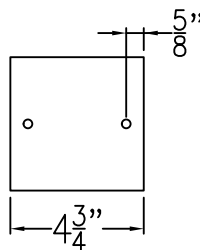
BRUNSWICK LARGE CHAIN HUNG PENDANT



Comes standard w/ 6'
of chain



Front View



Ceiling Canopy

Lights are hand crafted
Dimensions may vary by 1/4"

Brunswick Large Chain Hung Pendant	
St. James LIGHTING	
SCALE: N.T.S.	DRAFT: B. Vial
FILE: BRUL	APP'D: J. Ragan
JOB: X	DATE: 10/24/17