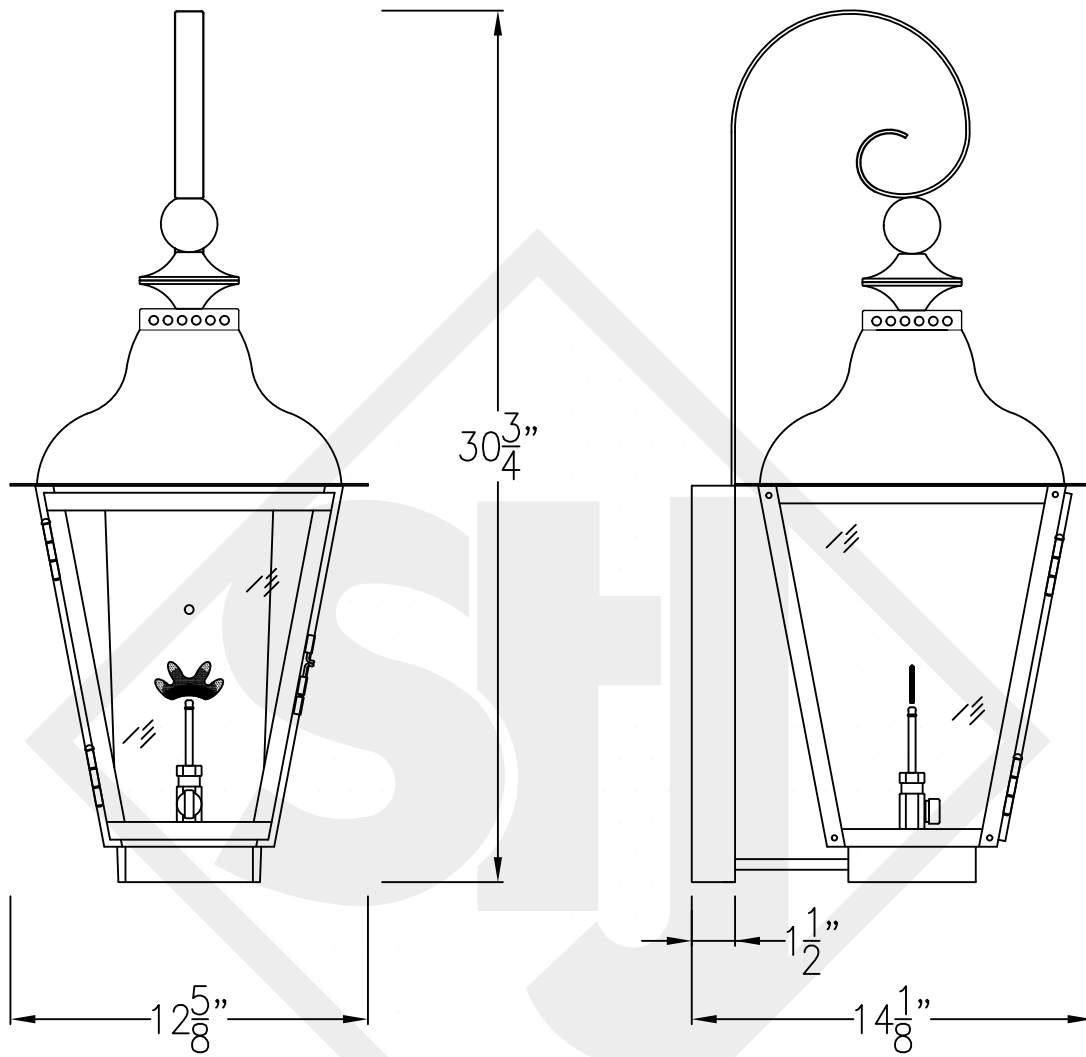
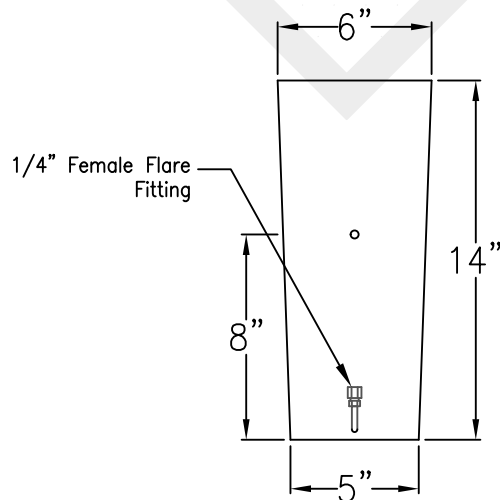


BRUNSWICK MEDIUM COPPER WALL BRACKET



Front View

Side View

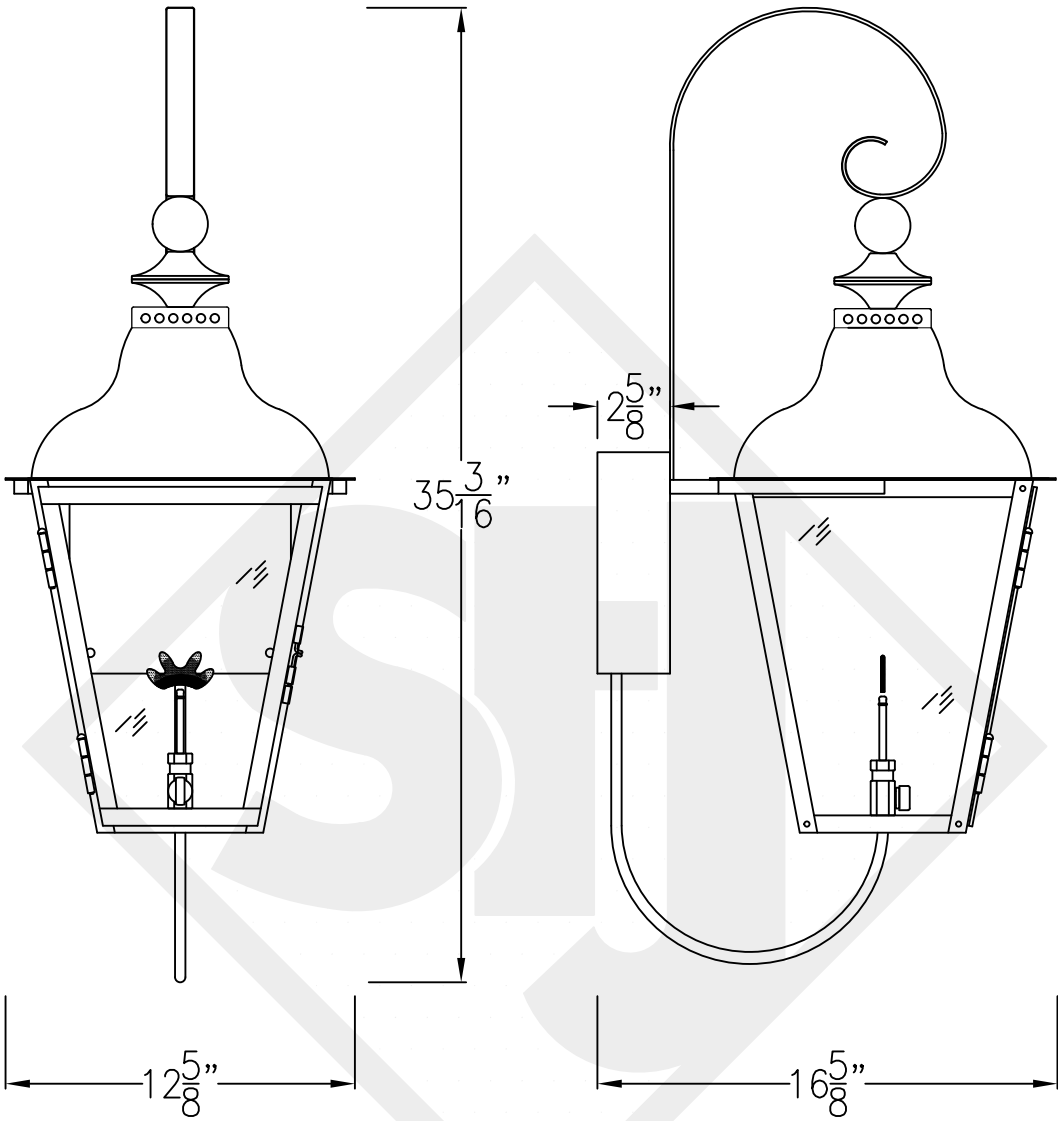


Backplate

Lights are hand crafted
Dimensions may vary by 1/4"

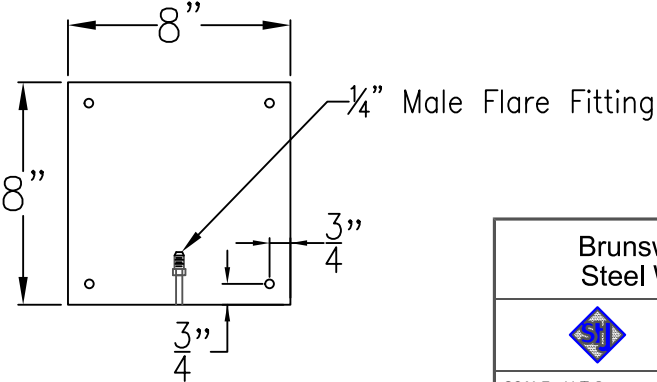
Brunswick Medium Copper Wall Bracket	
St. James LIGHTING	
SCALE: N.T.S.	DRAFT: B. Vial
FILE: BRUM	APP'D: J. Ragan
JOB: X	DATE: 11/7/17

BRUNSWICK MEDIUM STEEL WALL BRACKET



Front View

Side View

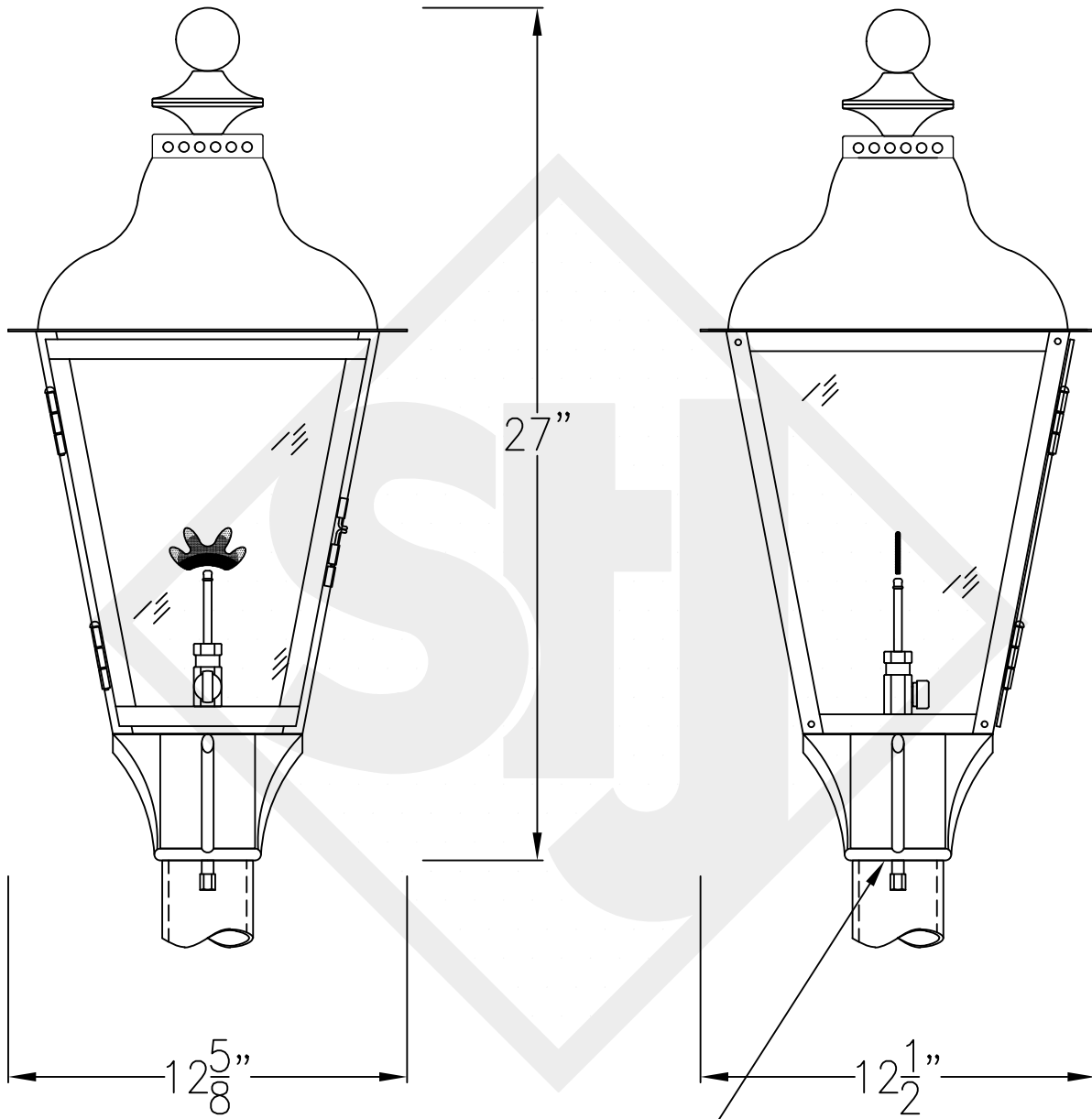


Backplate

Lights are hand crafted
Dimensions may vary by 1/4"

Brunswick Medium Steel Wall Bracket	
St. James LIGHTING	
SCALE: N.T.S.	DRAFT: B. Vial
FILE: BRUM	APP'D: J. Ragan
JOB: X	DATE: 9/6/17

BRUNSWICK MEDIUM COPPER POST MOUNT




Front View

Side View

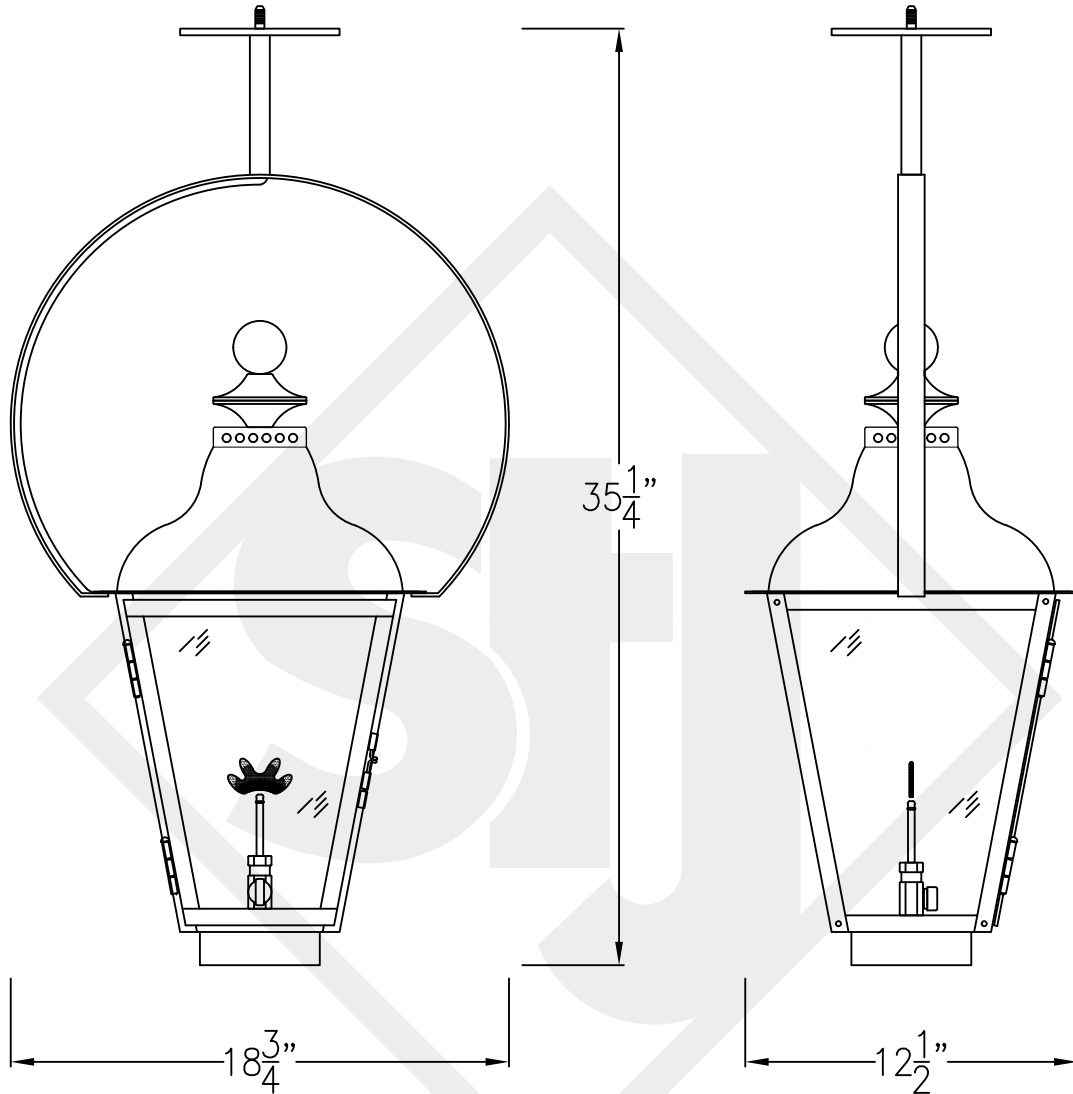
Fits over 3" post
1/4" Female Flare Fitting

Lights are hand crafted
Dimensions may vary by 1/4"

Brunswick Medium Copper Post Mount	
 St. James LIGHTING	
SCALE: N.T.S.	DRAFT: B. Vial
FILE: BRUM	APP'D: J. Ragan
JOB: X	DATE: 9/6/17

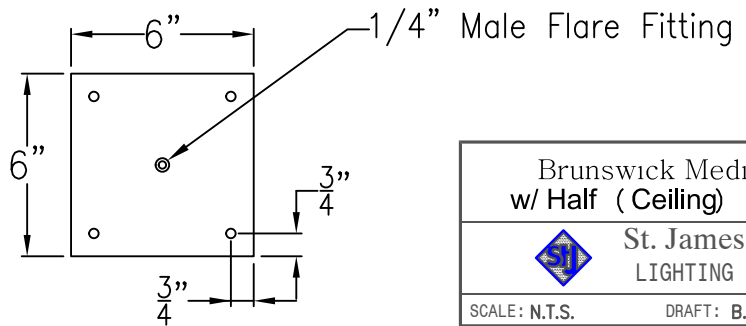
BRUNSWICK MEDIUM CEILING HALF YOKE

Shortest Height 32 1/4"



Front View

Side View



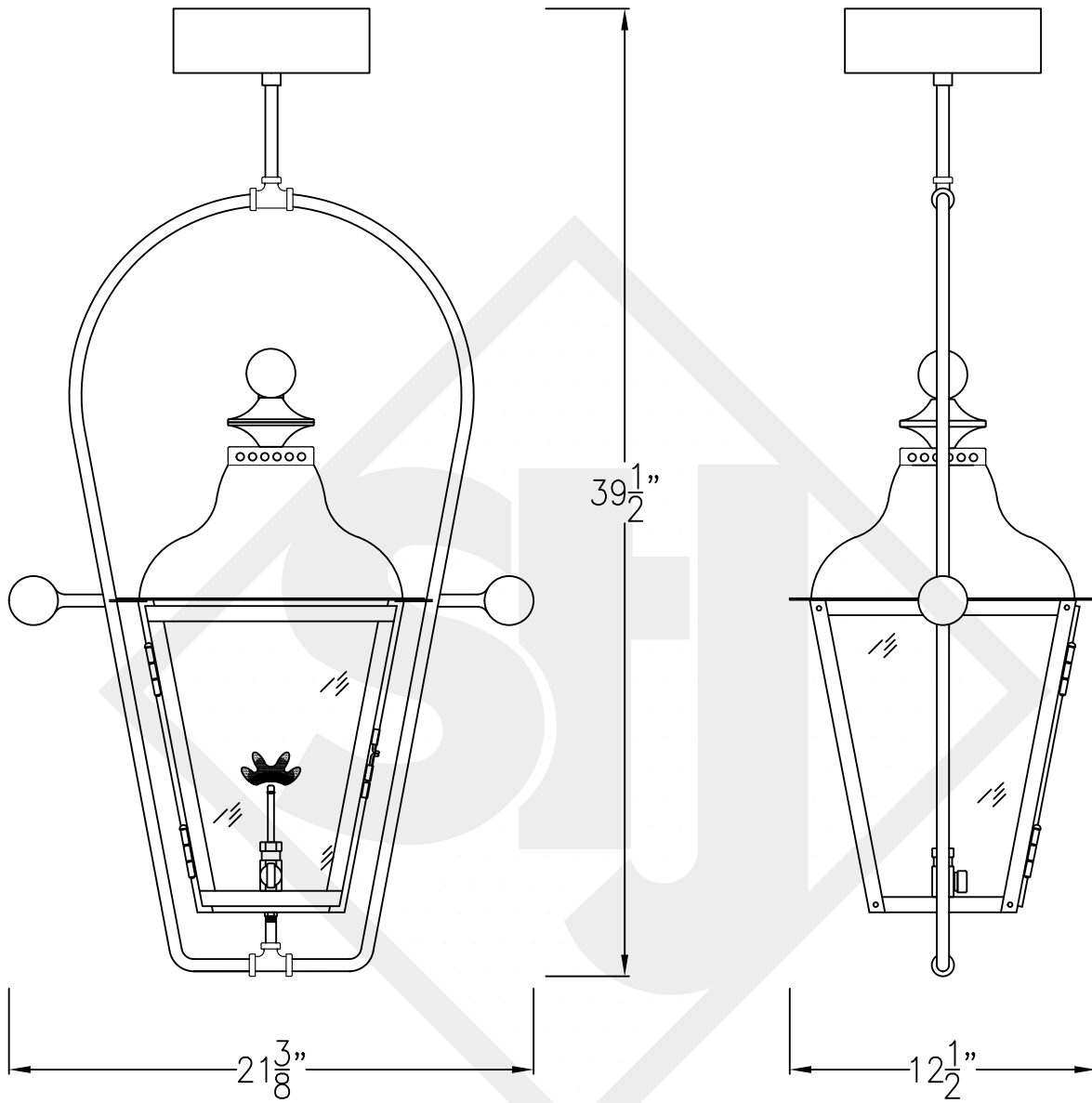
Ceiling Mount

Lights are hand crafted
Dimensions may vary by 1/4"

Brunswick Medium w/ Half (Ceiling) Yoke	
St. James LIGHTING	
SCALE: N.T.S.	DRAFT: B. Vial
FILE: BRUM	APP'D: J. Ragan
JOB: X	DATE: 9/6/17

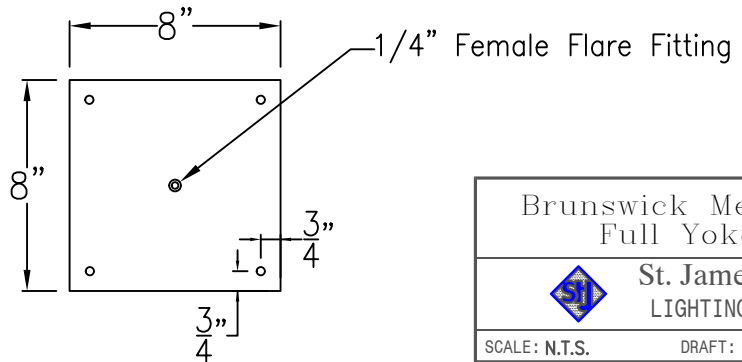
BRUNSWICK MEDIUM CEILING FULL YOKE

Shortest Height 33 5/8"



Front View

Side View



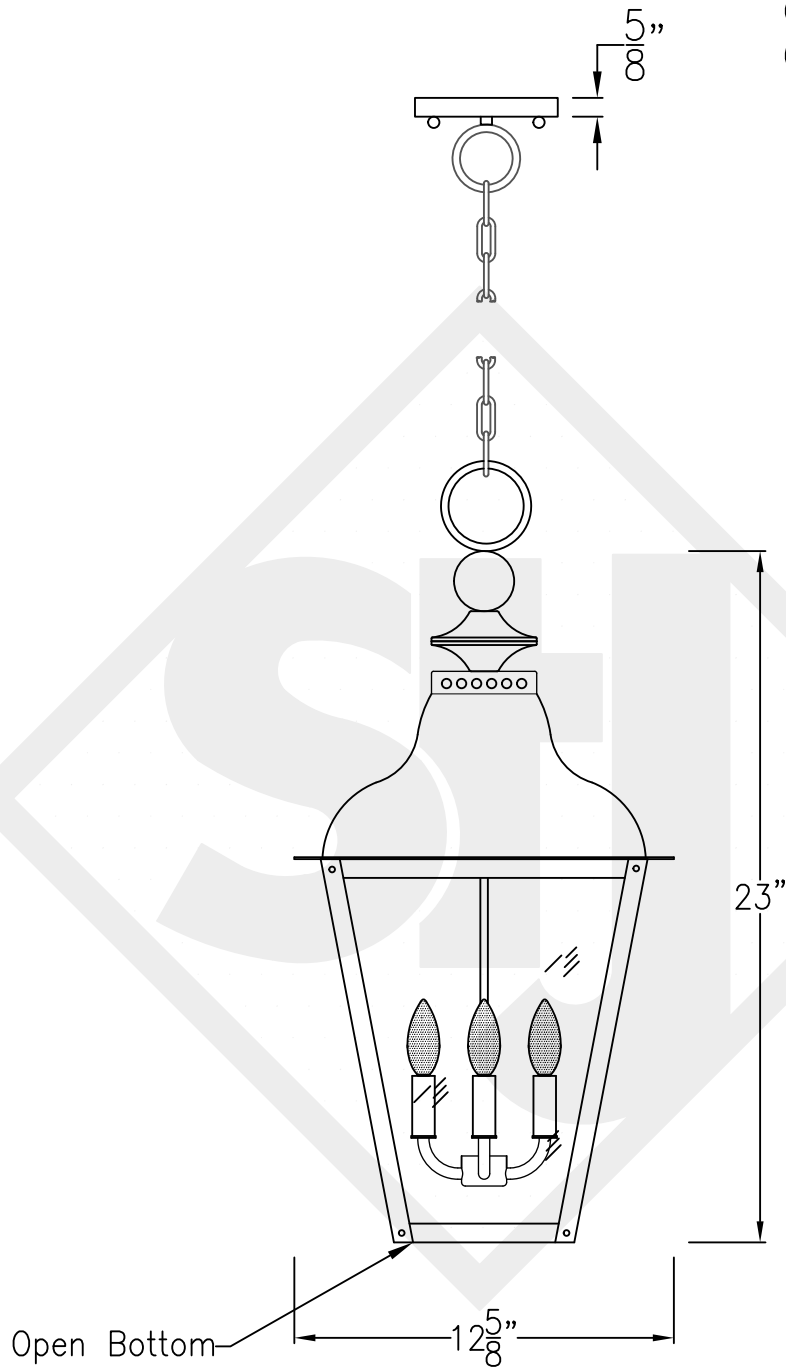
Ceiling Mount

Lights are hand crafted
Dimensions may vary by 1/4"

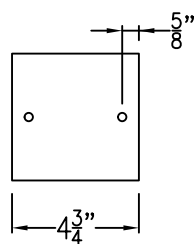
Brunswick Medium Full Yoke	
St. James LIGHTING	
SCALE: N.T.S.	DRAFT: B. Vial
FILE: BRUM	APP'D: J. Ragan
JOB: X	DATE: 9/6/17

BRUNSWICK MEDIUM CHAIN HUNG PENDANT

Comes standard w/
6' of chain



Front View



Ceiling Canopy

Lights are hand crafted
Dimensions may vary by 1/4"

Brunswick Medium Chain Hung Pendant	
St. James LIGHTING	
SCALE: N.T.S.	DRAFT: B. Vial
FILE: BRUM	APP'D: J. Ragan
JOB: X	DATE: 10/24/17