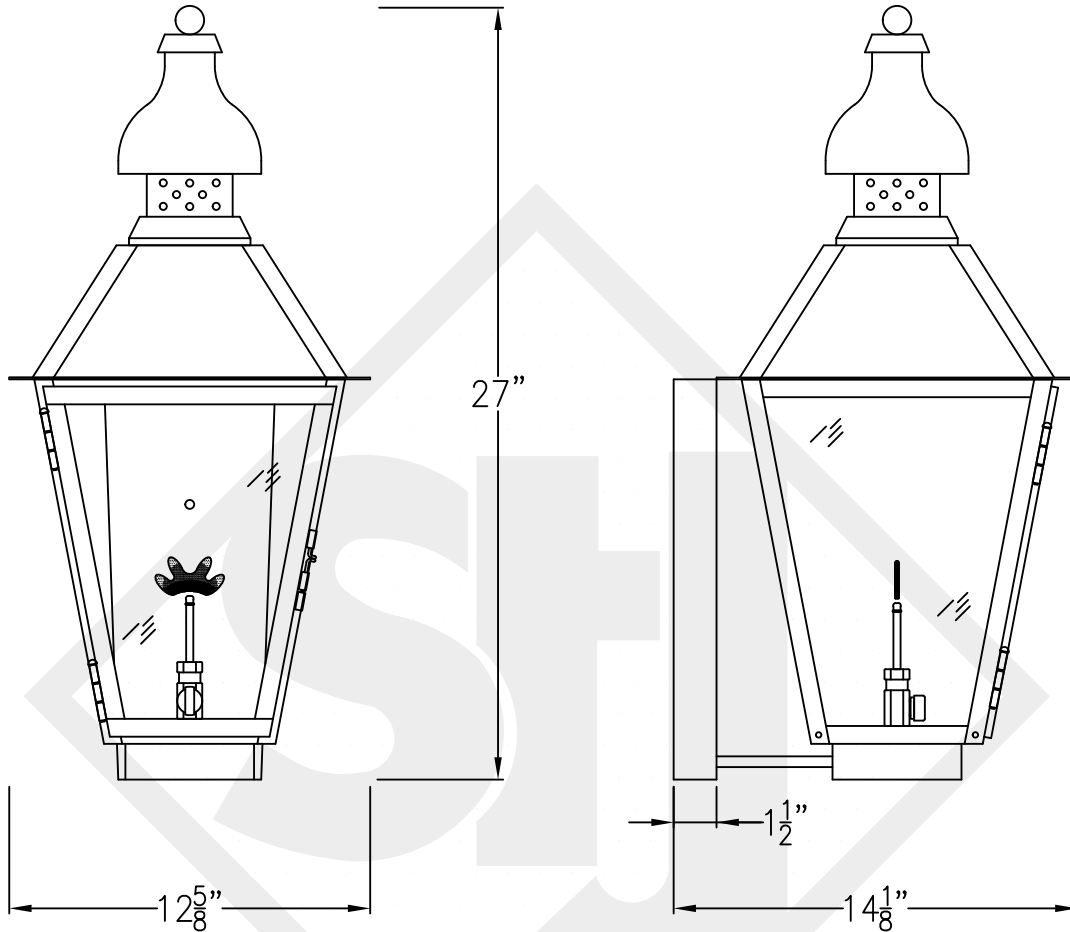


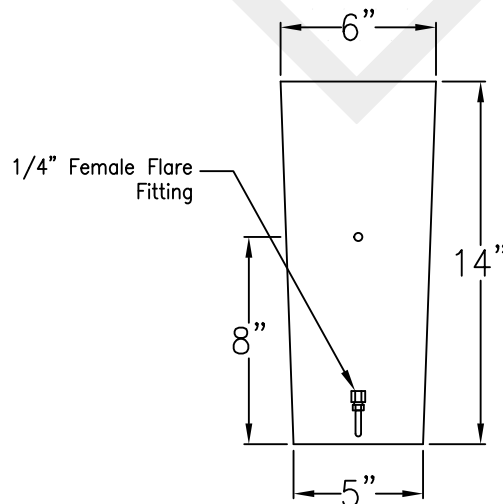
# LOGAN MEDIUM COPPER WALL BRACKET

Available w/ Solid or  
Glass Top




Front View

Side View



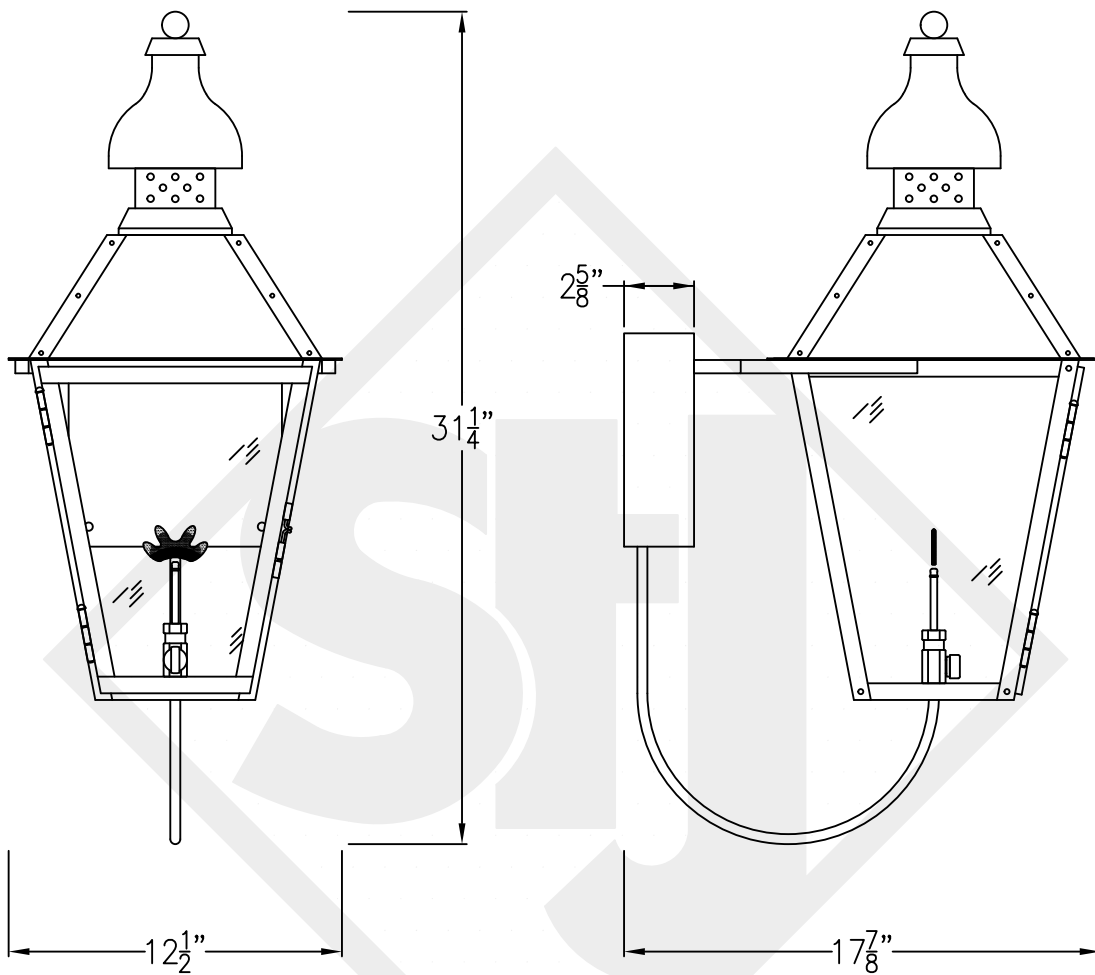
Backplate

Lights are hand crafted  
Dimensions may vary by 1/4"

Logan Medium Copper Wall Bracket	
 <b>St. James LIGHTING</b>	
SCALE: N.T.S.	DRAFT: <b>B. Vial</b>
FILE: <b>LOGM</b>	APP'D: <b>J. Ragan</b>
JOB: <b>X</b>	DATE: <b>11/7/17</b>

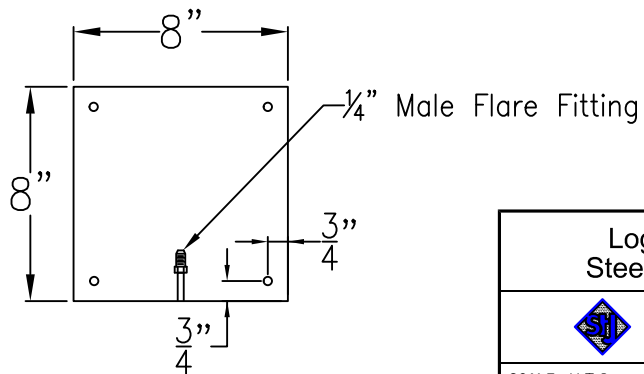
# LOGAN MEDIUM STEEL WALL BRACKET

Available w/ Solid or Glass Top



Front View

Side View



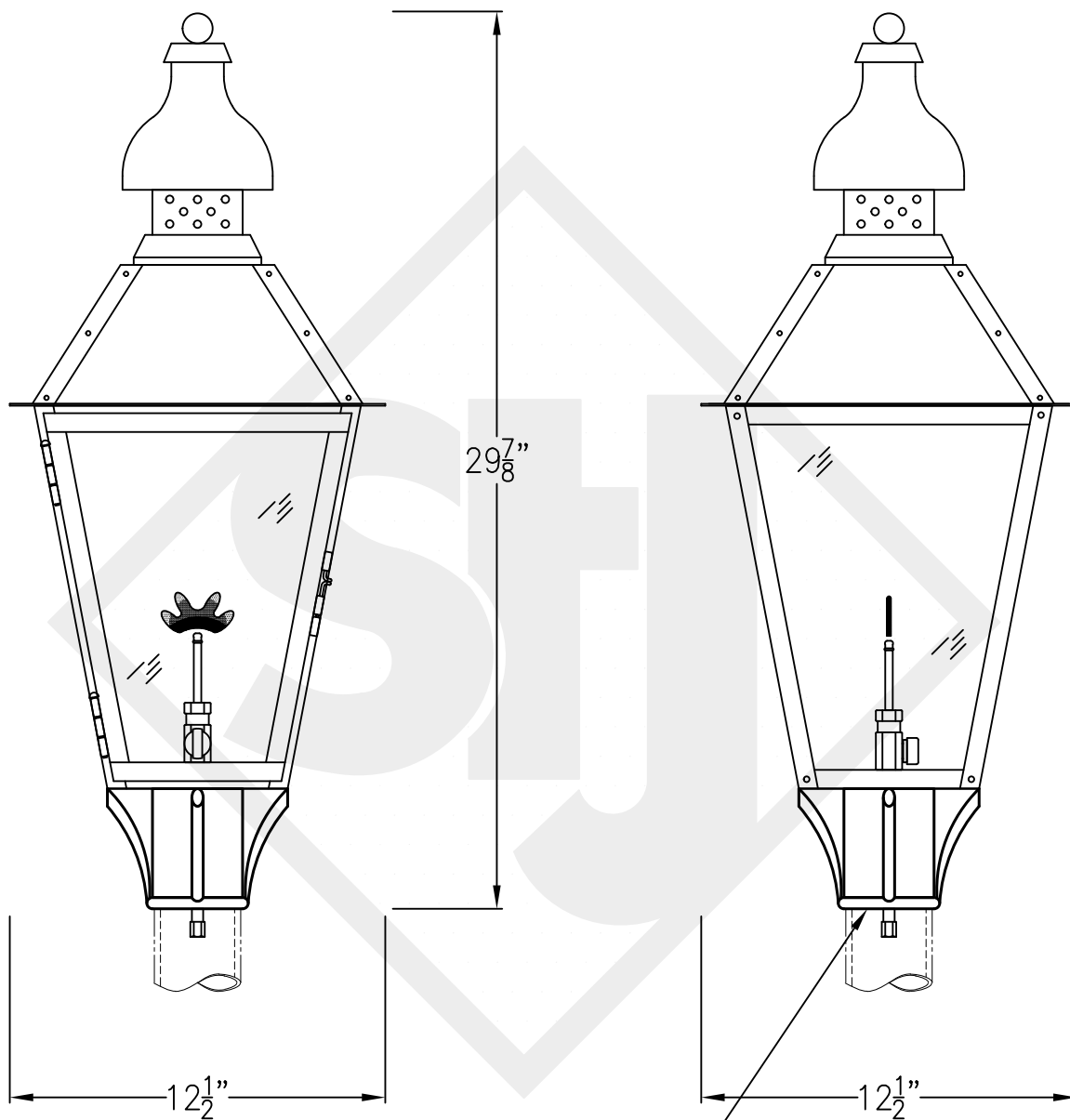
Backplate

Lights are hand crafted  
Dimensions may vary by 1/4"

Logan Medium Steel Wall Bracket	
<b>St. James LIGHTING</b>	
SCALE: N.T.S.	DRAFT: <b>B. Vial</b>
FILE: <b>LOGM</b>	APP'D: <b>J. Ragan</b>
JOB: <b>X</b>	DATE: <b>9/14/17</b>

# LOGAN MEDIUM COPPER POST MOUNT

Available w/ Solid or  
Glass Top




Front View

Side View

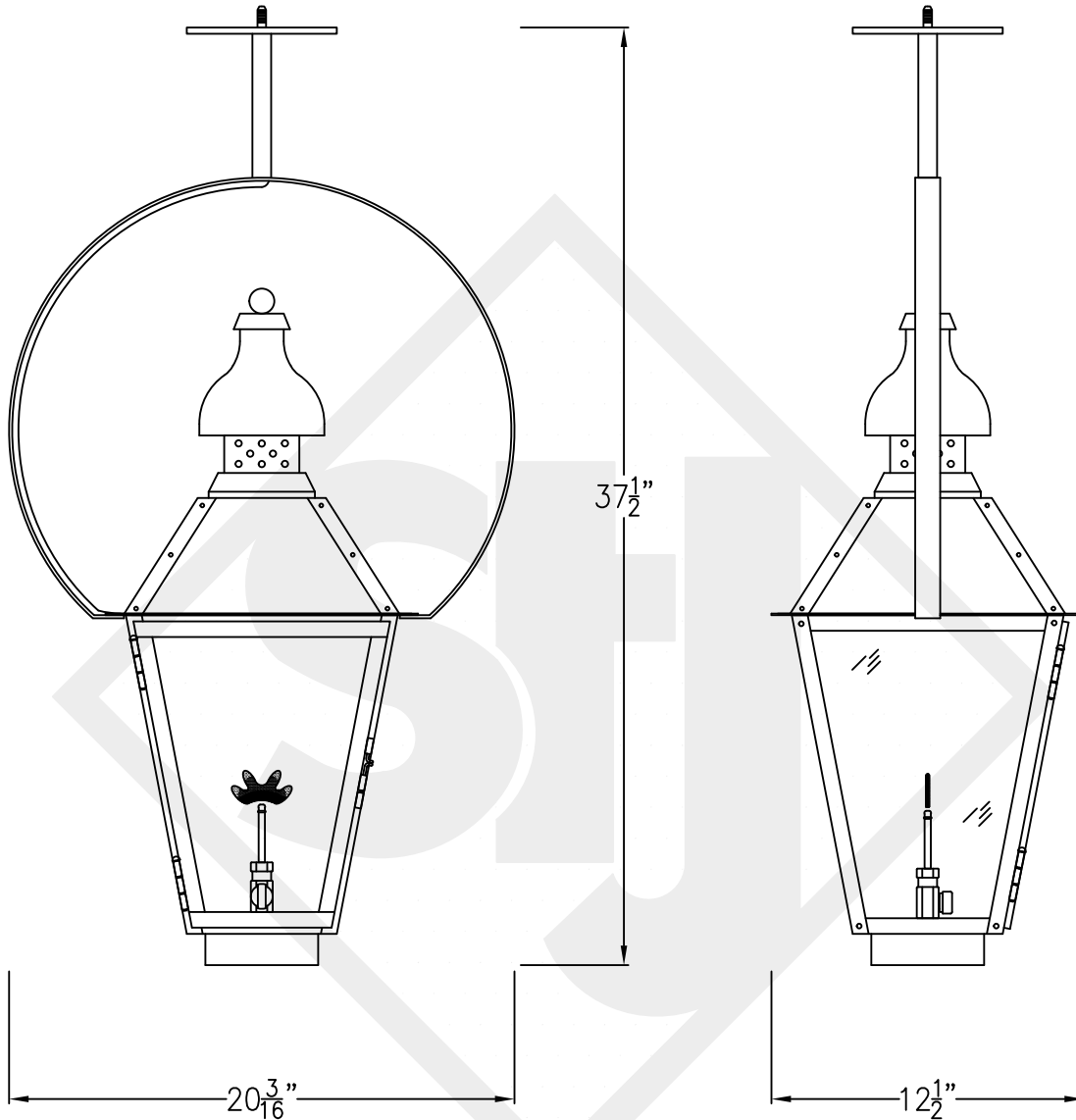
Fits over 3" post  
1/4" Female Flare  
Fitting

Lights are hand crafted  
Dimensions may vary by 1/4"

Logan Medium Copper Post mount	
 St. James LIGHTING	
SCALE: N.T.S.	DRAFT: B. Vial
FILE: LOGM	APP'D: J. Ragan
JOB: X	DATE: 9/14/17

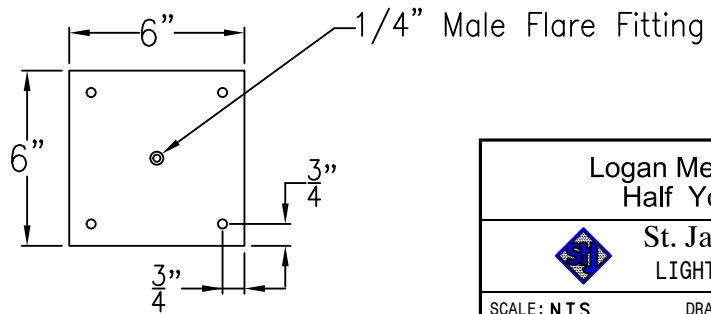
# LOGAN MEDIUM CEILING HALF YOKE

Available w/ Solid or  
Glass Top  
Shortest Height 37 1/2"



Front View

Side View



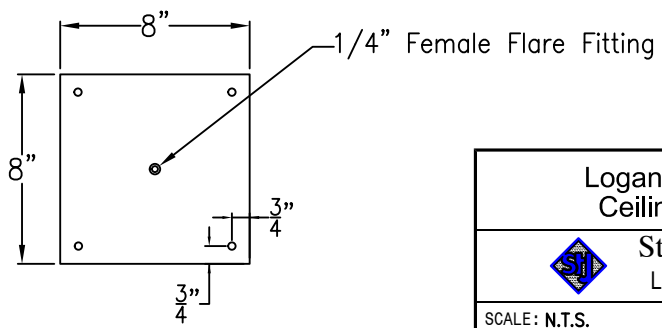
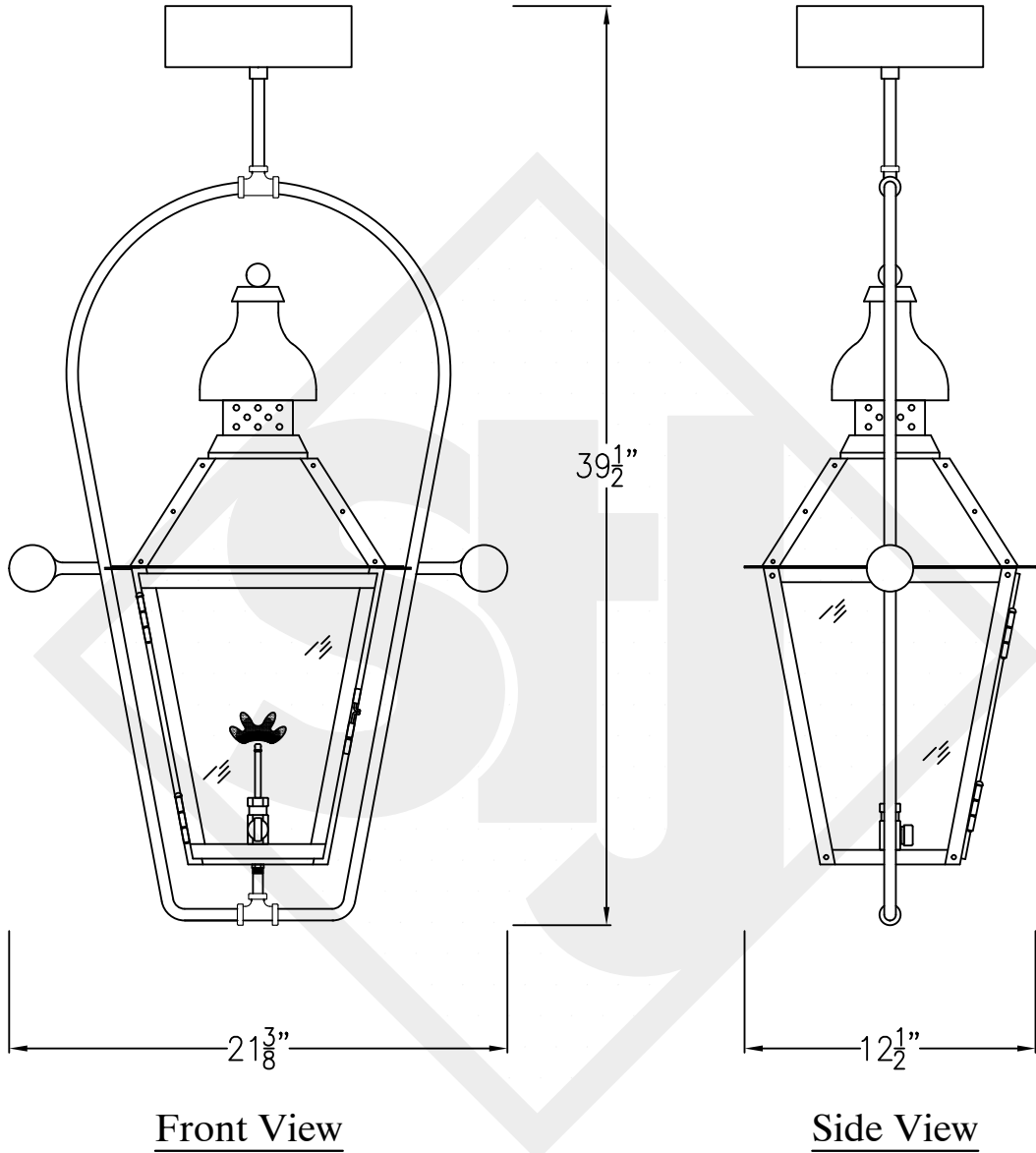
Ceiling Mount

Lights are hand crafted  
Dimensions may vary by 1/4"

Logan Medium Half Yoke	
<b>St. James LIGHTING</b>	
SCALE: N.T.S.	DRAFT: <b>B. Vial</b>
FILE: <b>LOGM</b>	APP'D: <b>J. Ragan</b>
JOB: <b>X</b>	DATE: <b>9/14/17</b>

# LOGAN MEDIUM CEILING YOKE

Available w/ Solid or  
Glass Top  
Shortest Height 39 1/2"



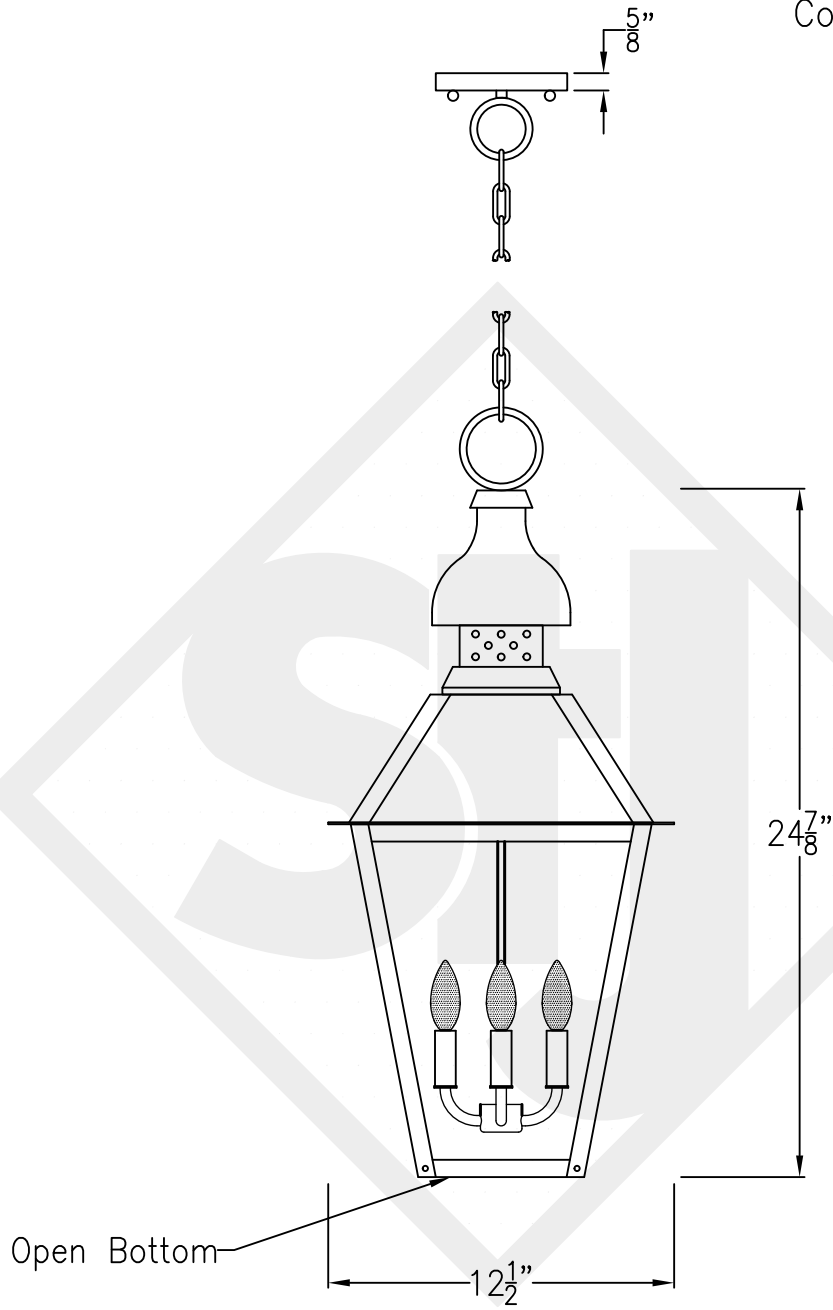
Logan Medium Ceiling Yoke	
<b>St. James LIGHTING</b>	
SCALE: N.T.S.	DRAFT: B. Vial
FILE: LOGM	APP'D: J. Ragan
JOB: X	DATE: 9/14/17

Lights are hand crafted  
Dimensions may vary by 1/4"

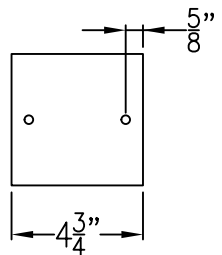
Ceiling Mount

# LOGAN MEDIUM CHAIN HUNG PENDANT

Comes standard w/ 6'  
of chain



Front View



Ceiling Canopy

Lights are hand crafted  
Dimensions may vary by 1/4"

Logan Medium Chain Hung Pendant	
<b>St. James LIGHTING</b>	
SCALE: N.T.S.	DRAFT: <b>B. Vial</b>
FILE: <b>LOGM</b>	APP'D: <b>J. Ragan</b>
JOB: <b>X</b>	DATE: <b>10/26/17</b>