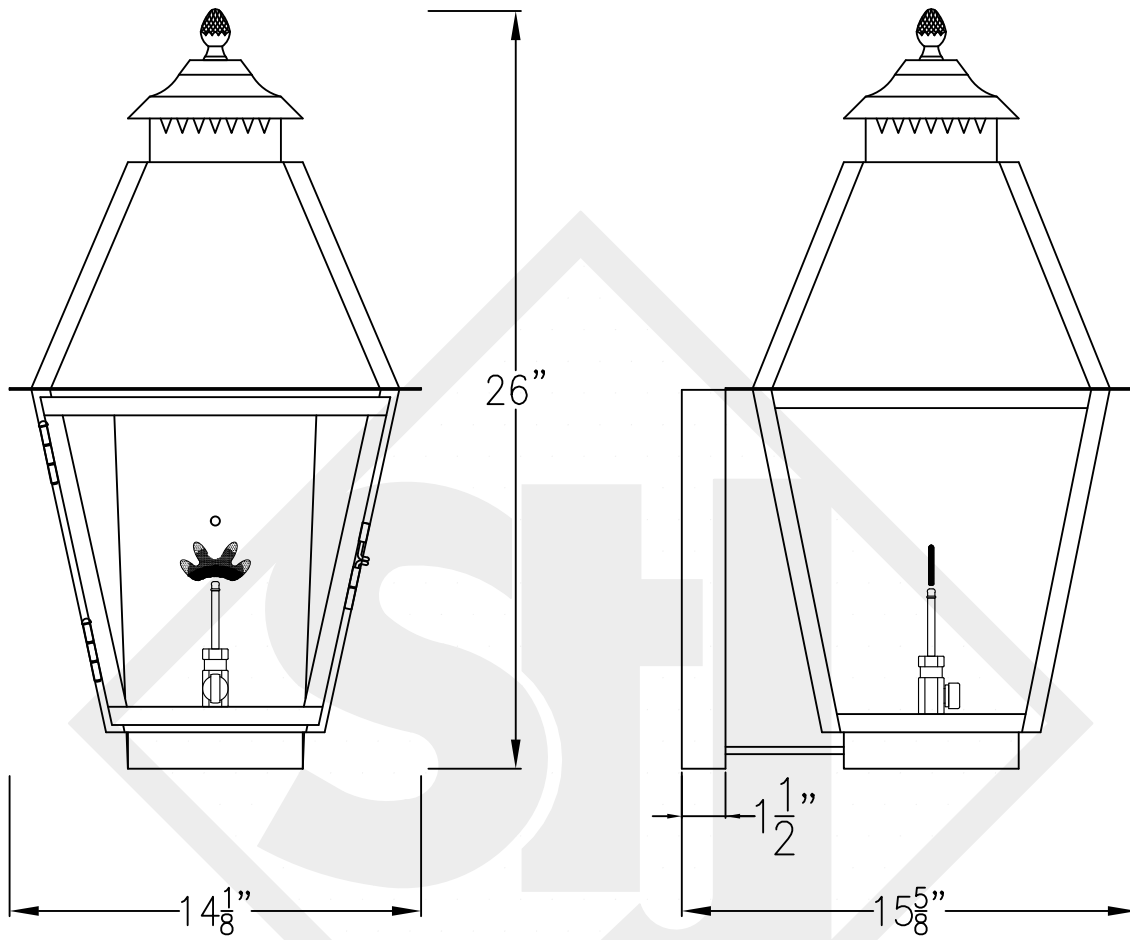


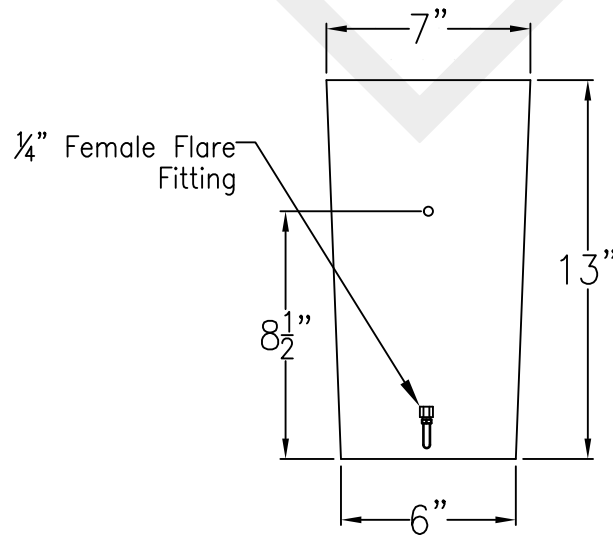
NATCHEZ MEDIUM COPPER WALL BRACKET

Available in Solid or
Glass Top



Front View

Side View



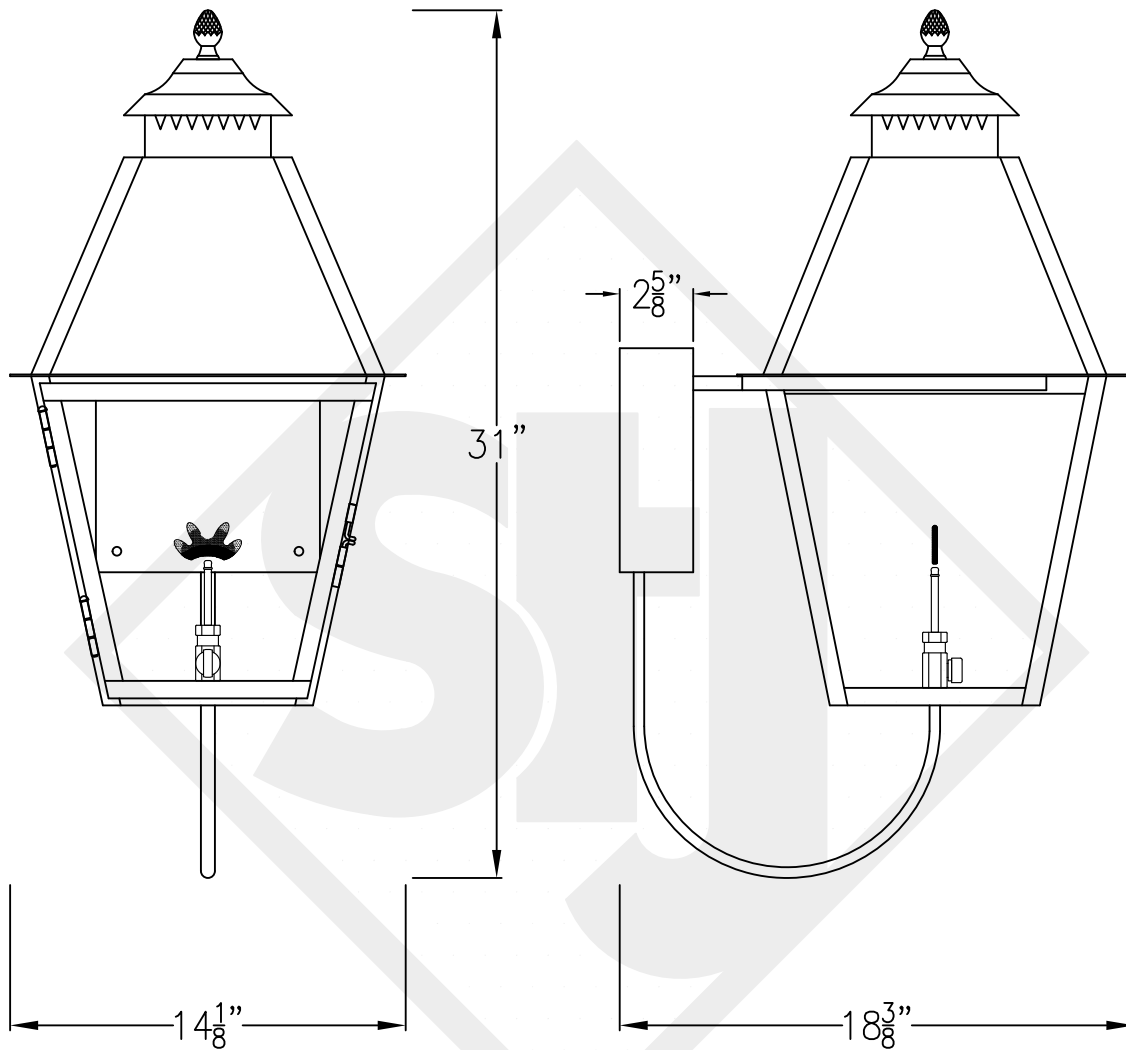
Backplate

Lights are hand crafted
Dimensions may vary by 1/4"

Natchez Medium Copper Wall Bracket	
St. James LIGHTING	
SCALE: N.T.S.	DRAFT: B. Vial
FILE: ASPM	APP'D: J. Ragan
JOB: X	DATE: 11/15/17

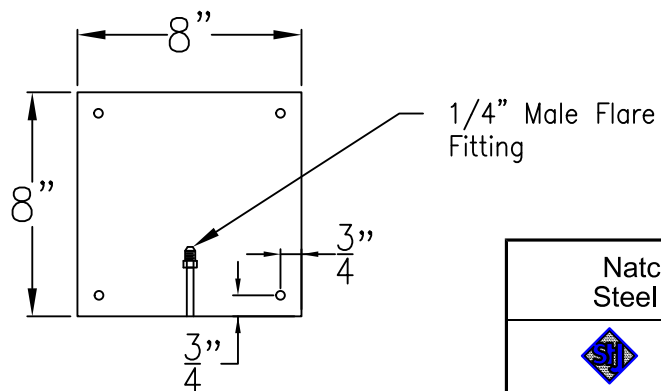
NATCHEZ MEDIUM STEEL WALL BRACKET

Available w/ Solid
or Glass Top



Front View

Side View



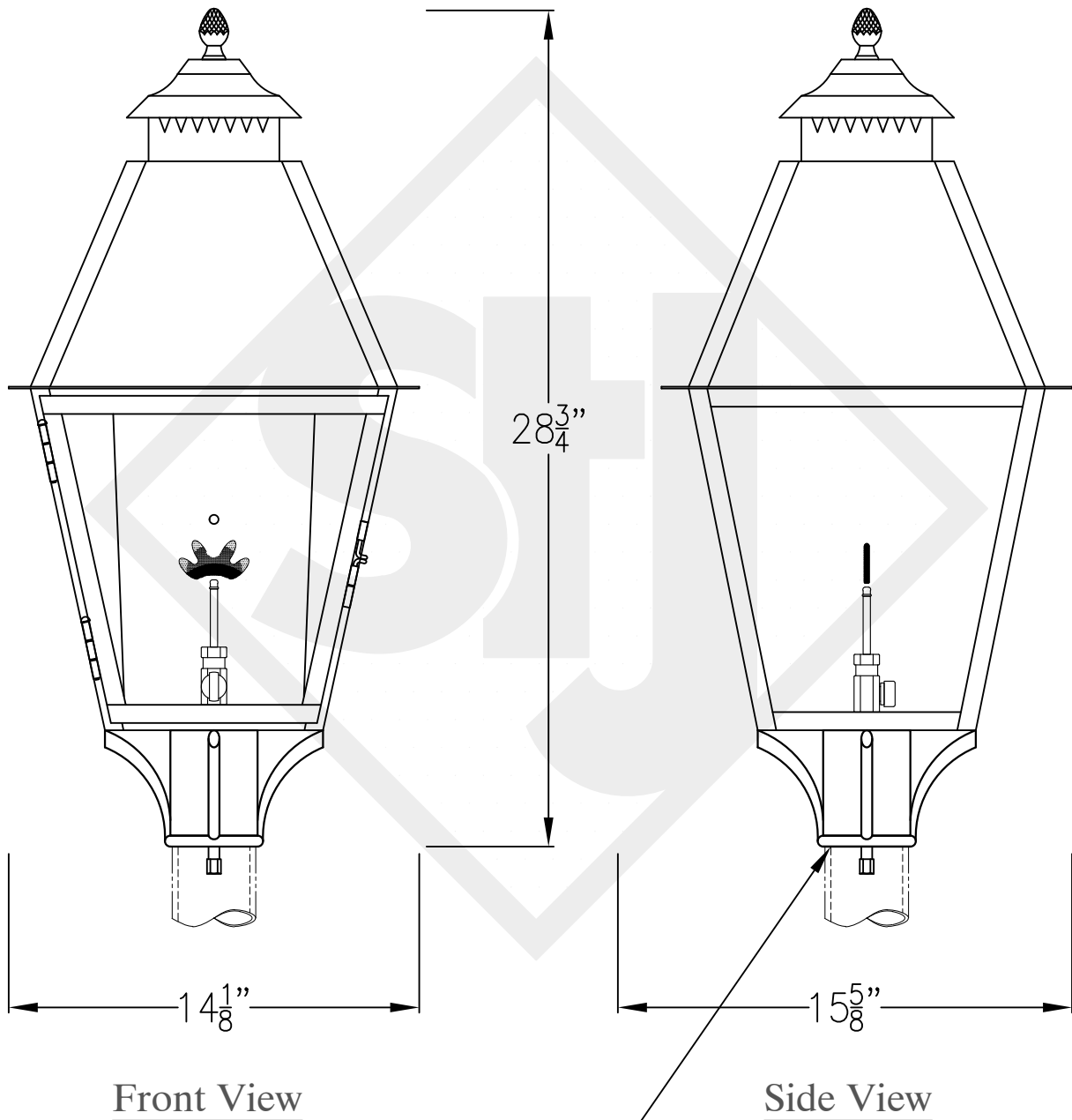
Backplate

Lights are hand crafted
Dimensions may vary by 1/4"

Natchez Medium Steel Wall Bracket	
St. James LIGHTING	
SCALE: N.T.S.	DRAFT: B. Vial
FILE: MONL	APP'D: J. Ragan
JOB: X	DATE: 11/15/17

NATCHEZ MEDIUM COPPER POST MOUNT

Available w/ Solid
or Glass Top




Front View

Side View

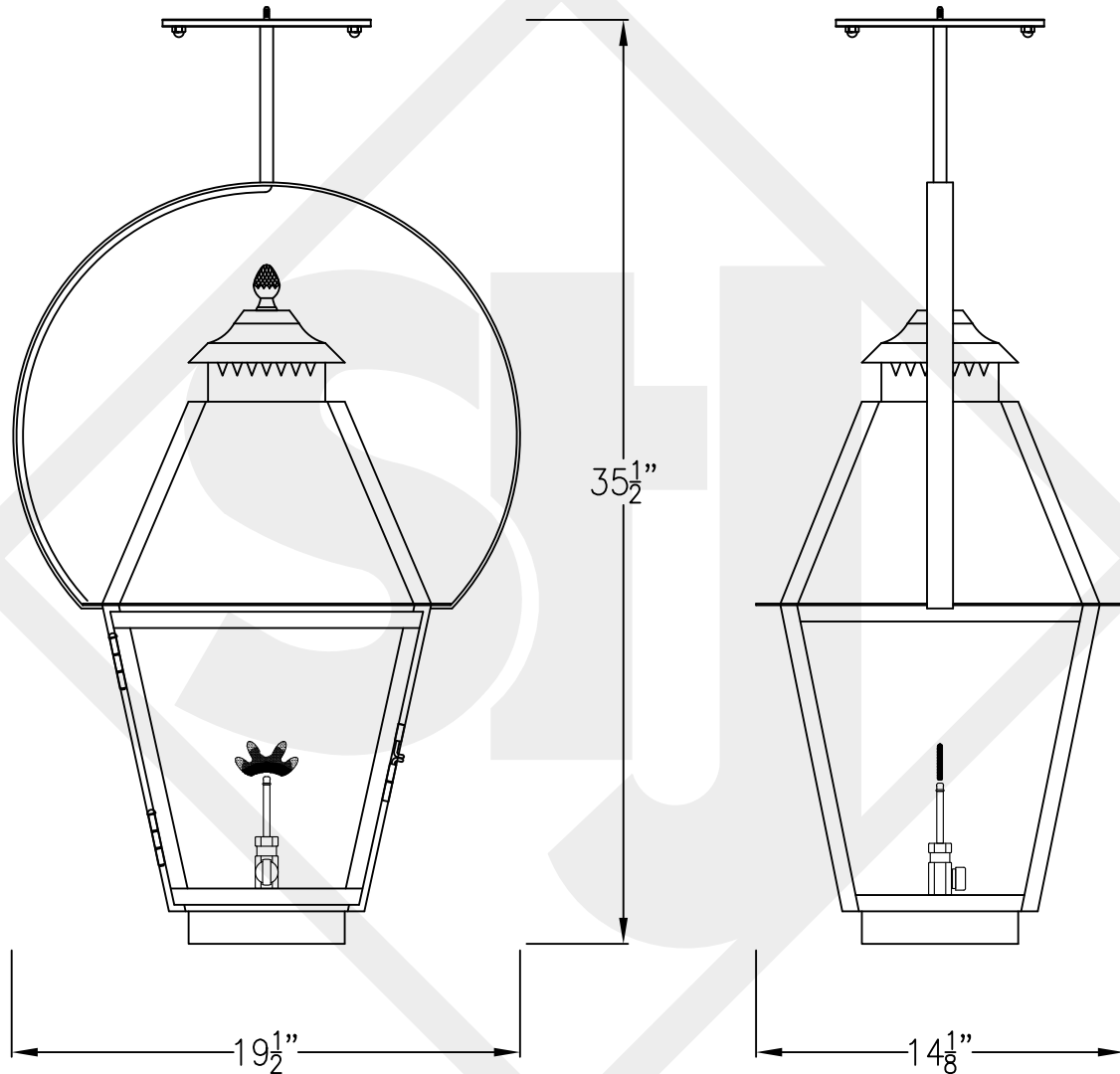
Fits over 3" post
1/4" Female Flare
Fitting

Lights are hand crafted
Dimensions may vary by 1/4"

Natchez Medium Copper Post Mount	
 St. James LIGHTING	
SCALE: N.T.S.	DRAFT: B. Vial
FILE: MONL	APP'D: J. Ragan
JOB: X	DATE: 11/15/17

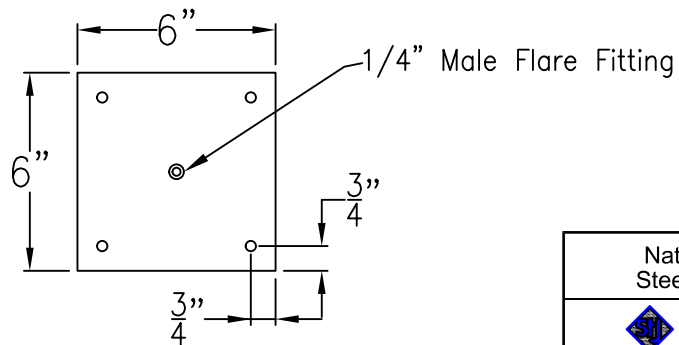
NATCHEZ MEDIUM CEILING HALF YOKE

Shortest Height 34 $\frac{7}{8}$ "
Available w/ Solid or
Glass Top



Front View

Side View



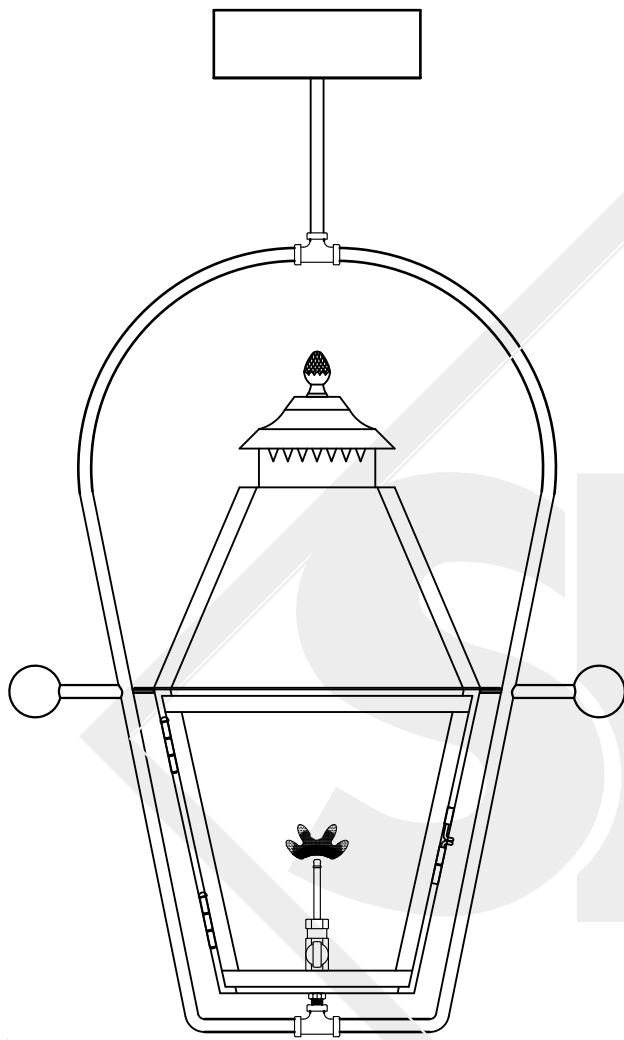
Ceiling Mount

Lights are hand crafted
Dimensions may vary by 1/4"

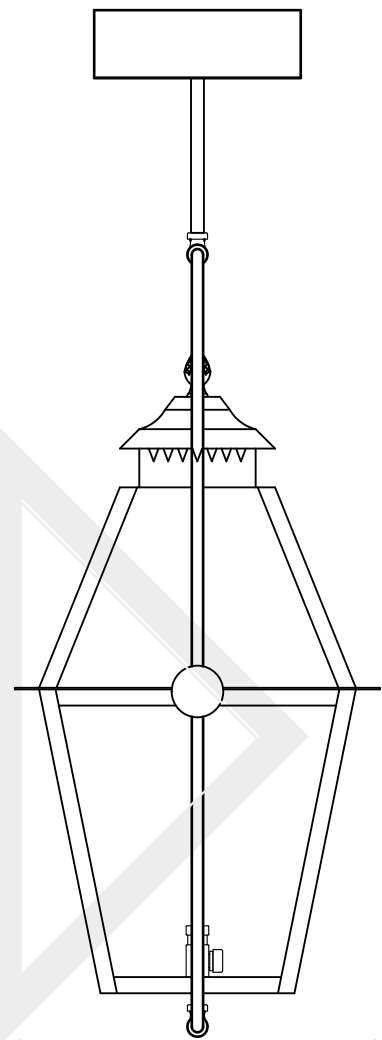
Natchez Medium Steel Wall Bracket	
St. James LIGHTING	
SCALE: N.T.S.	DRAFT: B. Vial
FILE: ASPM	APP'D: J. Ragan
JOB: X	DATE: 11/15/17

NATCHEZ MEDIUM
CEILING FULL YOKE

Available w/ Solid or
Glass Top



Front View

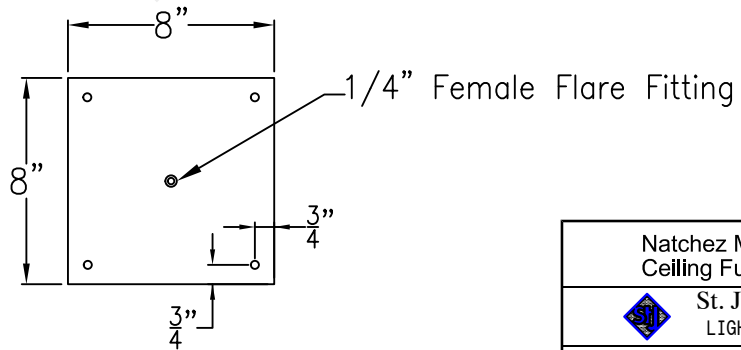


Side View

39 5/8"


23 7/8"

13 3/4"



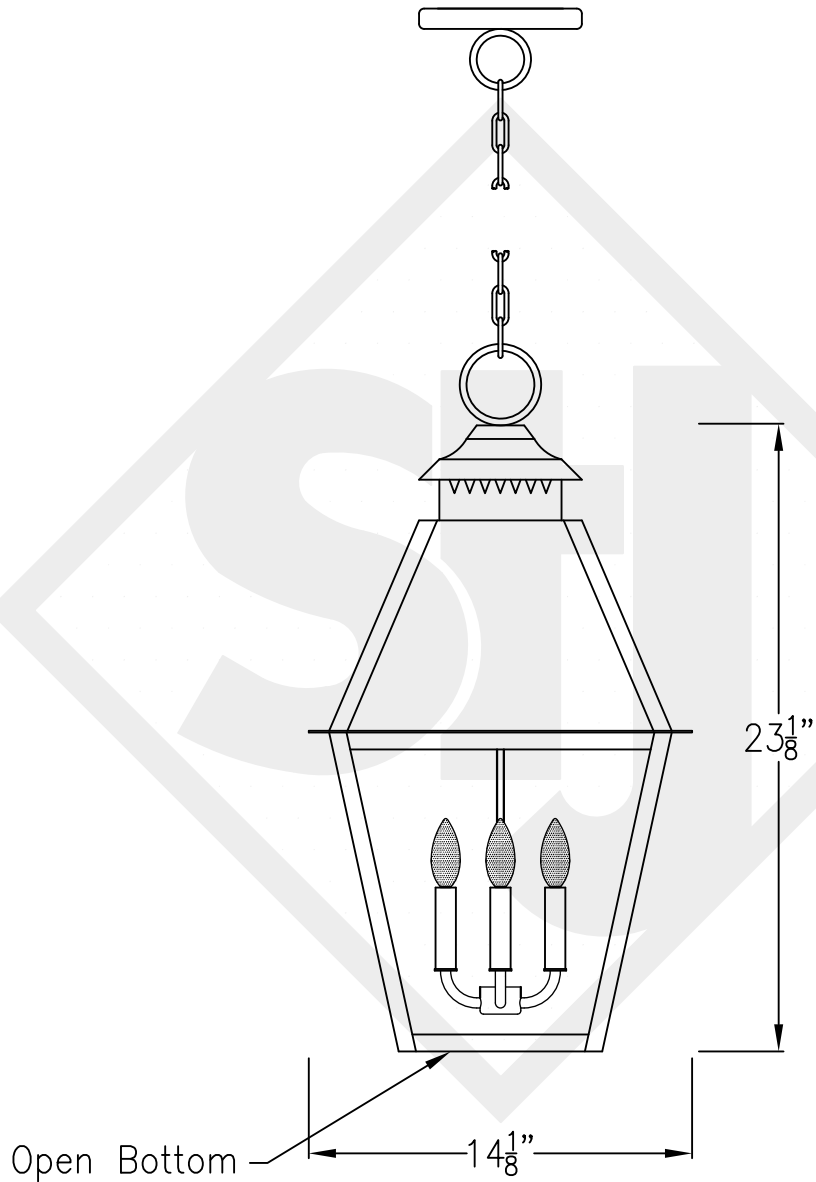
Ceiling Mount

Lights are hand crafted
Dimensions may vary by 1/4"

Natchez Medium Ceiling Full Yoke	
 St. James LIGHTING	
SCALE: N.T.S.	DRAFT: B. Vial
FILE: ASPM	APP'D: J. Ragan
JOB: X	DATE: 11/15/17


NATCHEZ MEDIUM CHAIN HUNG PENDANT

Comes standard w/ 6'
of chain
Available in Solid or
Glass Top



Front View

Lights are hand crafted
Dimensions may vary by 1/4"

Natchez Medium Chain Hung Pendant	
 St. James LIGHTING	
SCALE: N.T.S.	DRAFT: B. Vial
FILE: NAT	APP'D: J. Ragan
JOB: X	DATE: 11/15/17