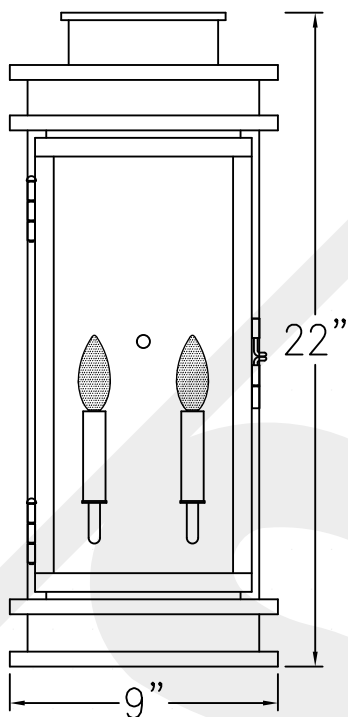
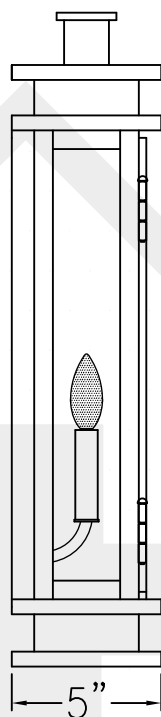


SOMERSET MEDIUM COPPER WALL MOUNT

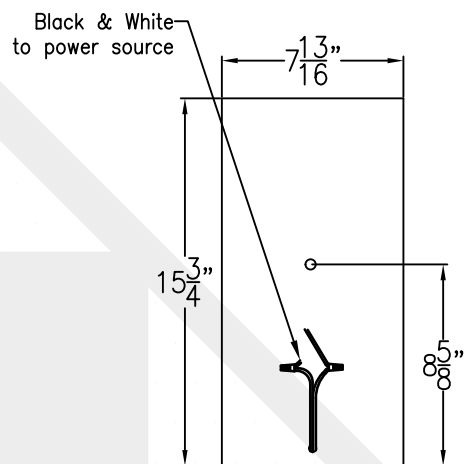
Electric



Front View

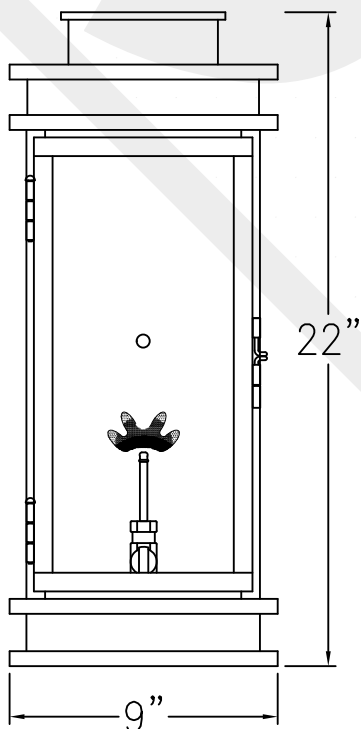


Side View

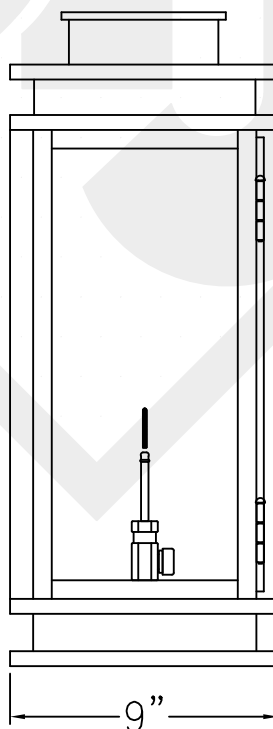


Backplate

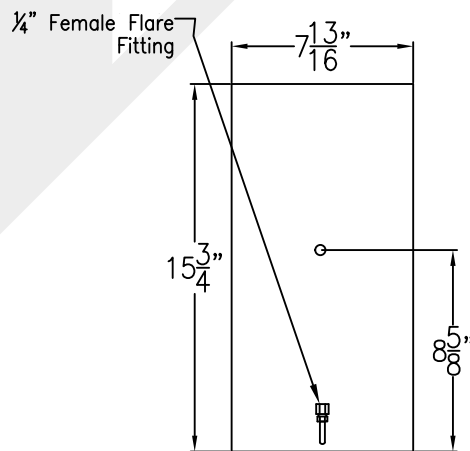
Gas



Front View



Side View



Backplate

Lights are hand crafted
Dimensions may vary by 1/4"

**Somerset
Copper Wall Bracket**

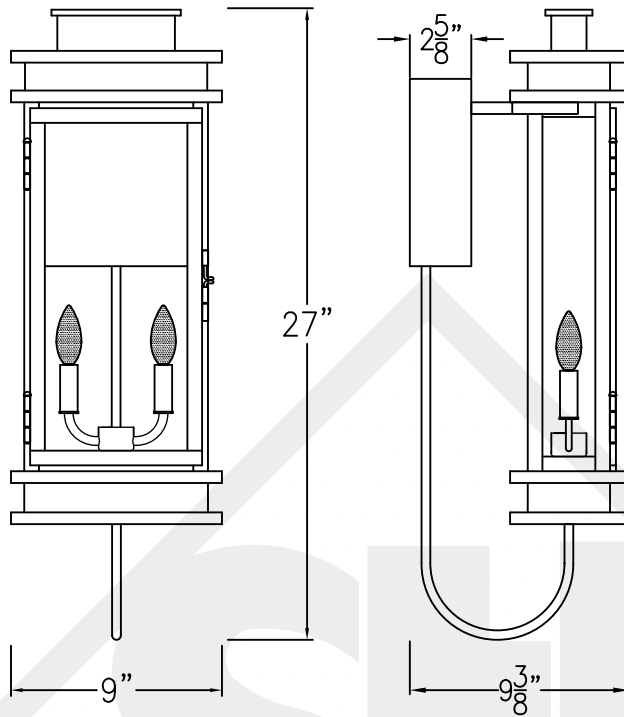


**St. James
LIGHTING**

SCALE: N.T.S.	DRAFT: B. Vial
FILE: SomM	APP'D: J. Ragan
JOB: x	DATE: 5/25/17

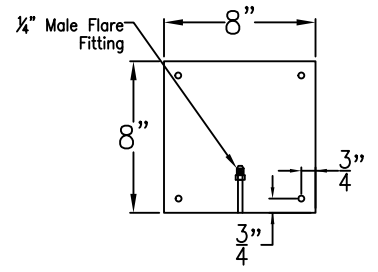
SOMERSET MEDIUM STEEL WALL BRACKET

Electric



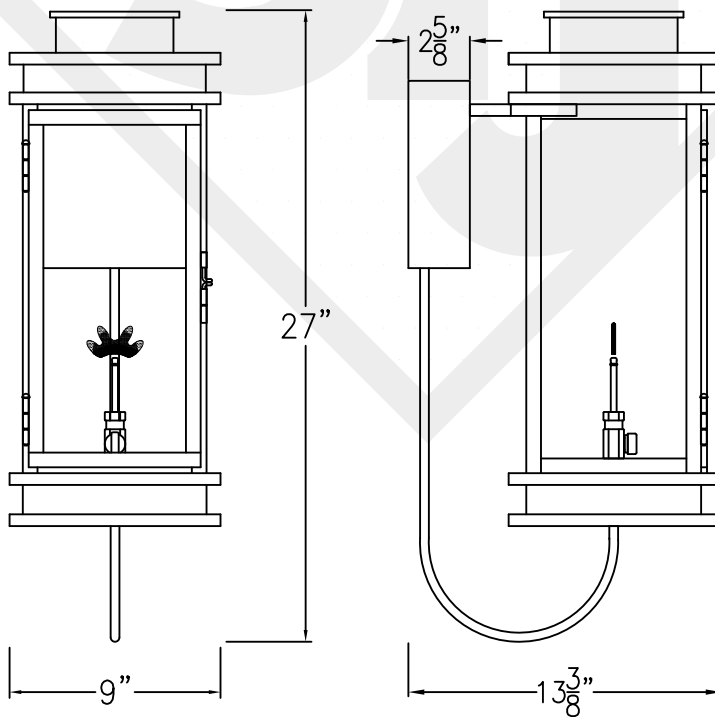
Front View

Side View



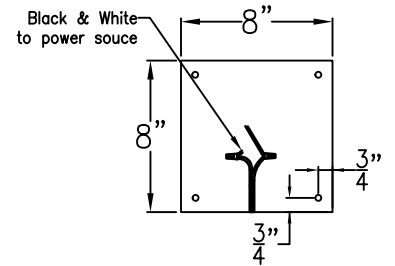
Backplate

Gas




Front View

Side View

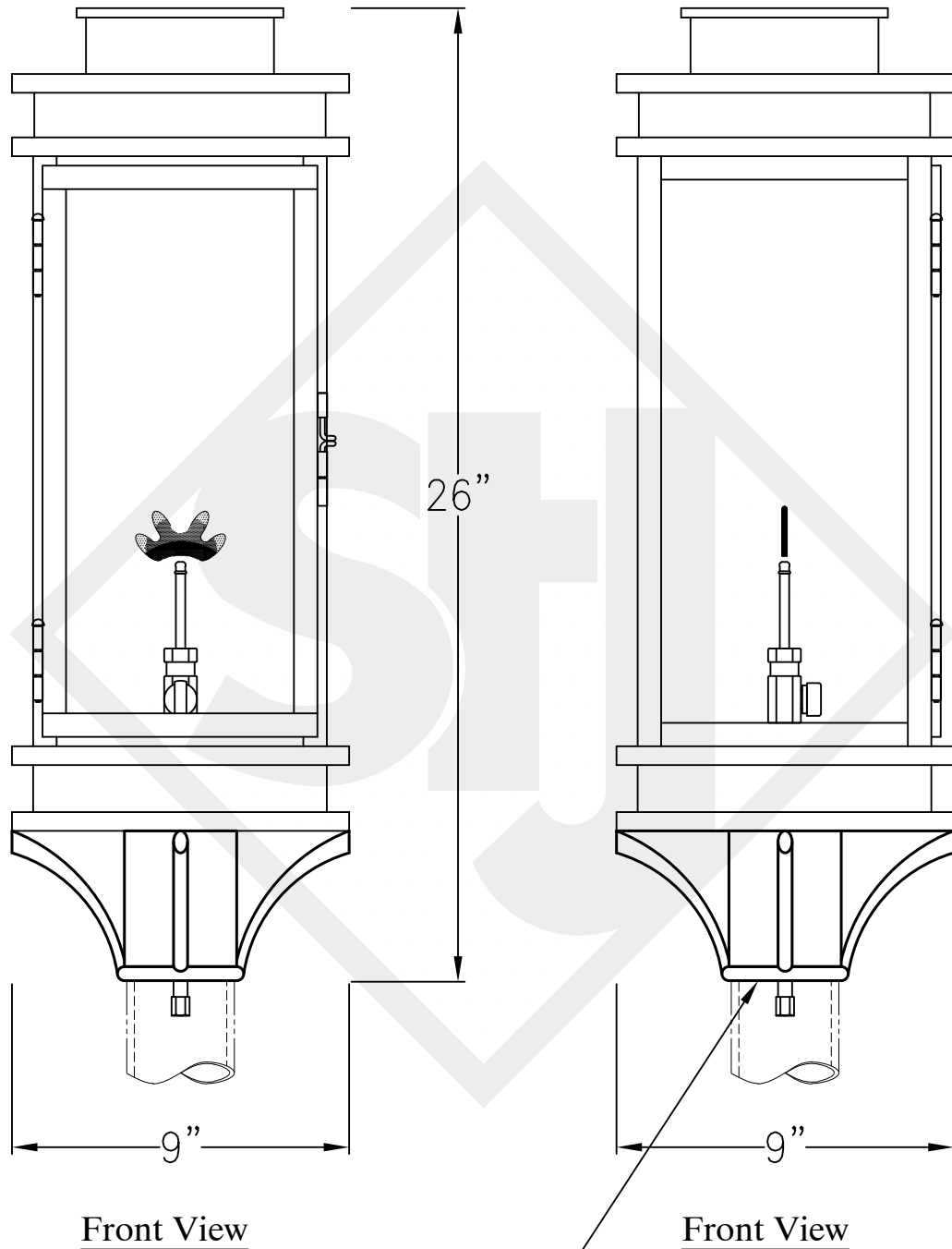


Backplate

Lights are hand crafted
Dimensions may vary by 1/4"


Somerset Medium Steel Wall Bracket	
 St. James LIGHTING	
SCALE: N.T.S.	DRAFT: B. Vial
FILE: SOMM	APP'D: J. Ragan
JOB: X	DATE: 5/25/17

SOMERSET MEDIUM COPPER POST MOUNT



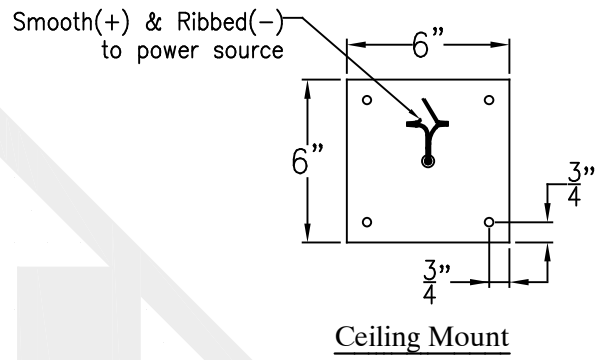
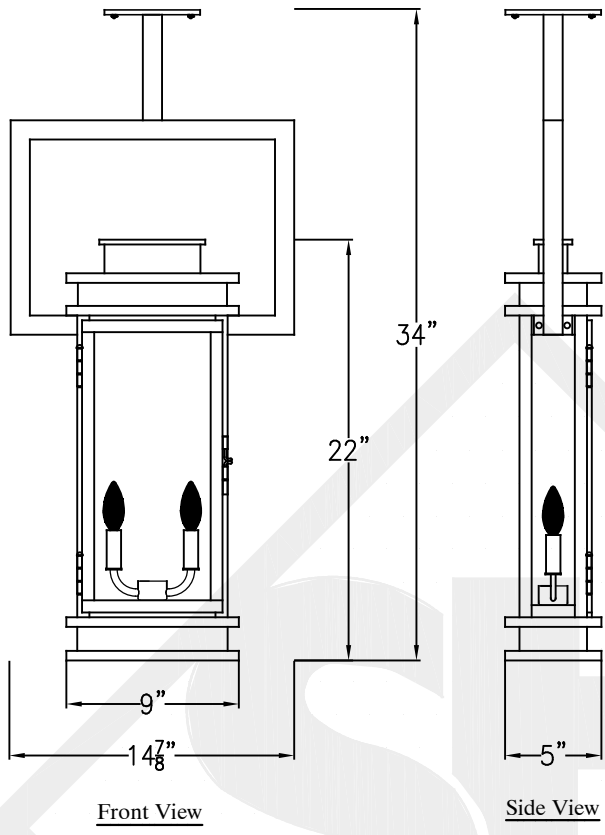
Fits over 3" post
1/4" Female Flare
Fitting

Lights are hand crafted
Dimensions may vary by 1/4"

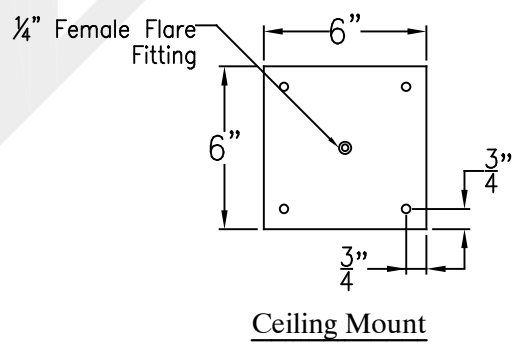
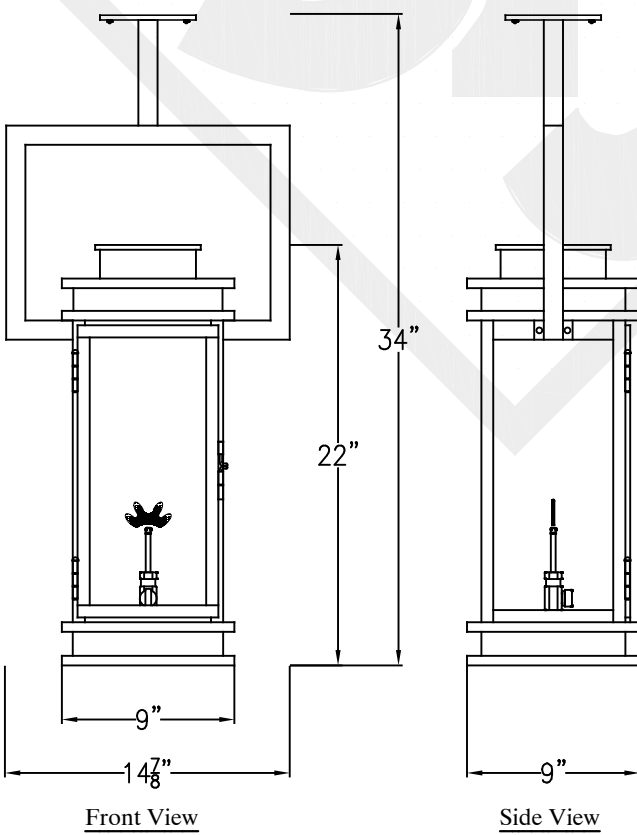
Somerset Medium Copper Post Mount	
 St. James LIGHTING	
SCALE: N.T.S.	DRAFT: B. Vial
FILE: SOMM	APP'D: J. Ragan
JOB: X	DATE: 9/20/17

SOMERSET MEDIUM CEILING HALF YOKE

Electric



Gas

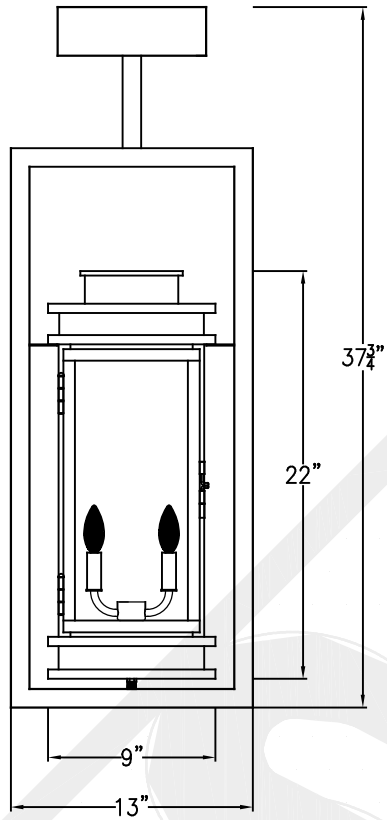


Lights are hand crafted
Dimensions may vary by 1/4"

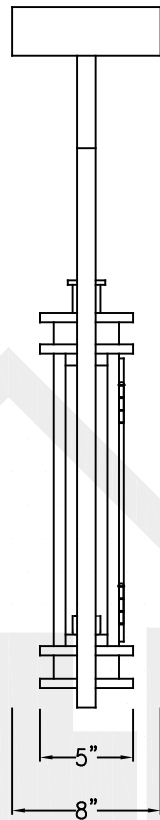
Somerset Medium Ceiling Half Yoke	
St. James LIGHTING	
SCALE: N.T.S.	DRAFT: B. Vial
FILE: SOMM	APP'D: J. Ragan
JOB: X	DATE: 06/15/18

SOMERSET MEDIUM CEILING FULL YOKE

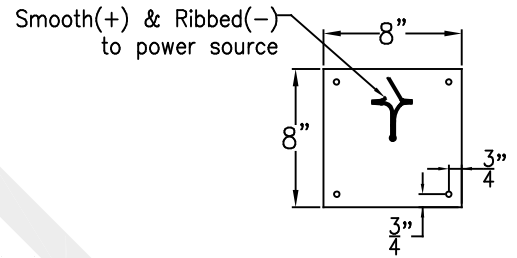
Electric



Front View

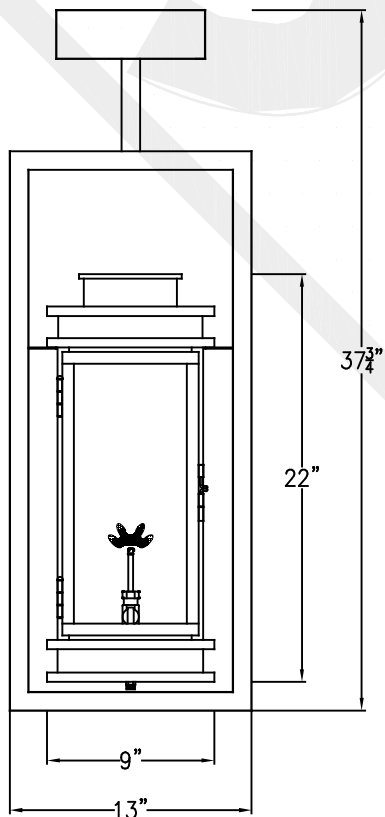


Side View

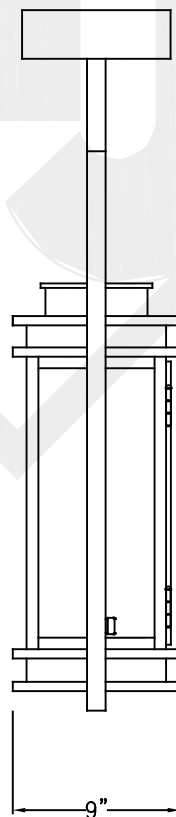


Backplate

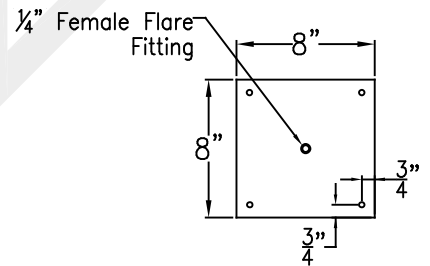
Gas



Front View



Side View



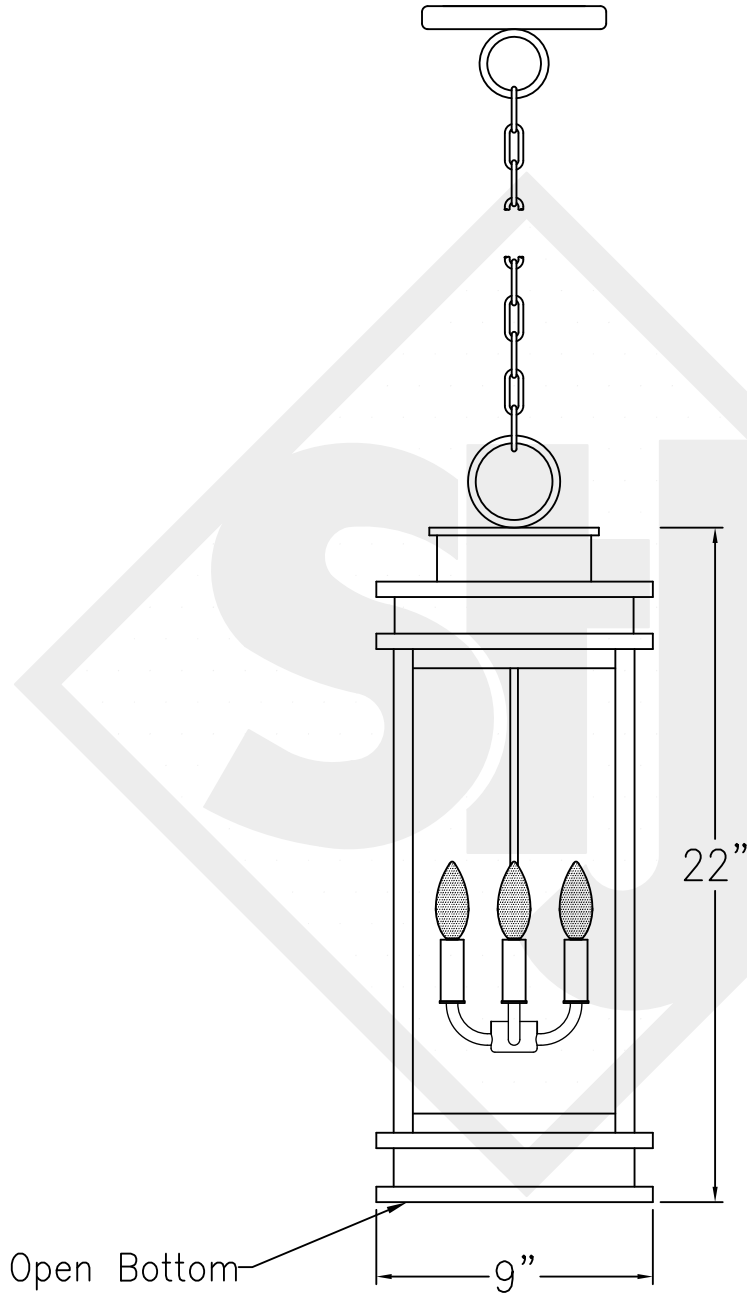
Backplate

Lights are hand crafted
Dimensions may vary by 1/4"

Somerset Medium Ceiling Full Yoke	
St. James LIGHTING	
SCALE: N.T.S.	DRAFT: B. Vial
FILE: SOMM	APP'D: J. Ragan
JOB: X	DATE: 06/15/18


SOMERSET MEDIUM CHAIN HUNG PENDANT

Comes standard w/ 6'
of chain



Front View

Lights are hand crafted
Dimensions may vary by 1/4"

Somerset Medium Chain Hung Pendant	
 St. James LIGHTING	
SCALE: N.T.S.	DRAFT: B. Vial
FILE: SOMM	APP'D: J. Ragan
JOB: X	DATE: 4/10/17