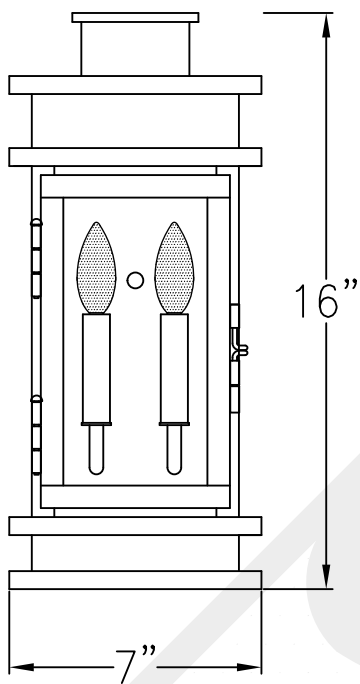
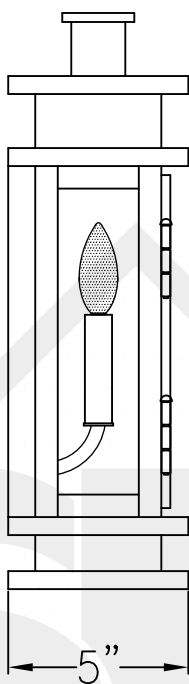


# SOMERSET SMALL COPPER WALL MOUNT

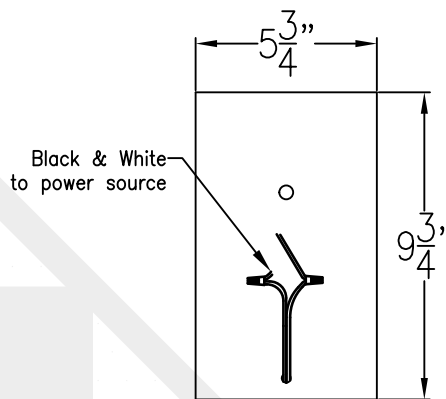
Electric



Front View

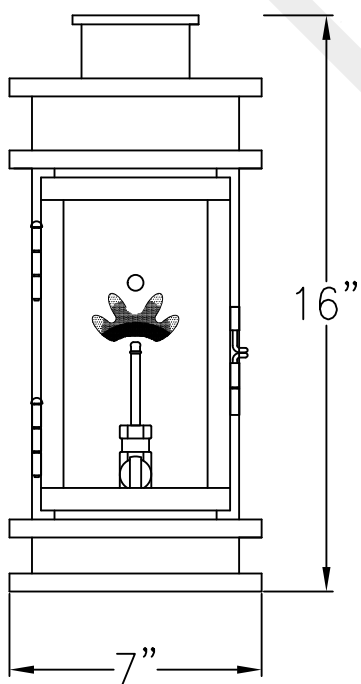


Side View

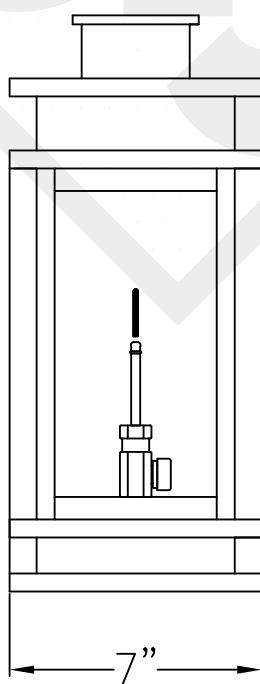


Backplate

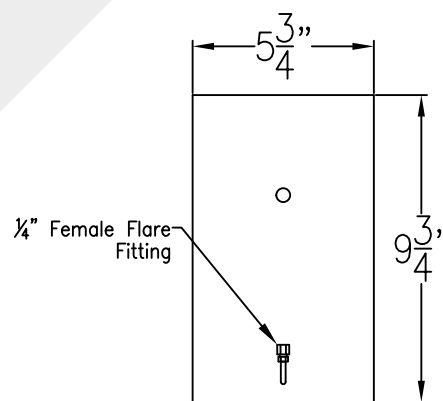
Gas



Front View




Side View



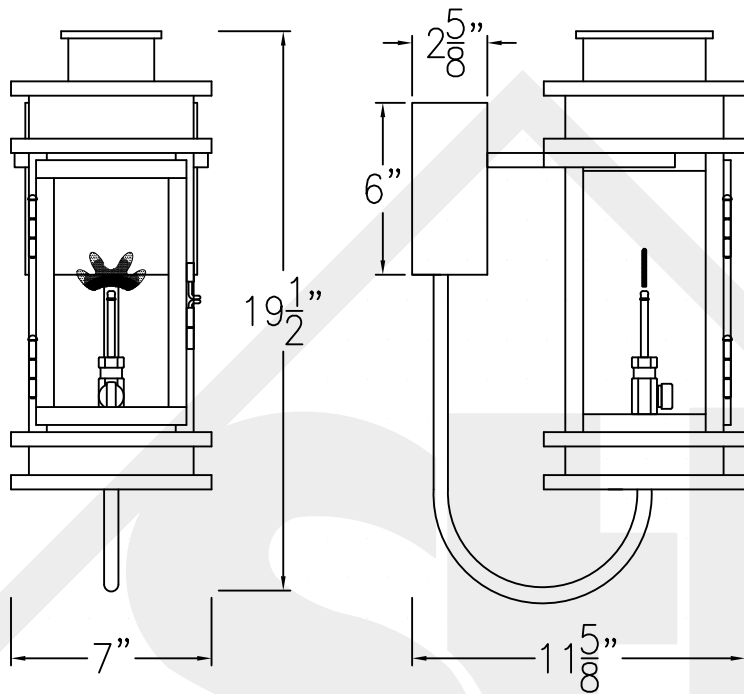
Backplate

Lights are hand crafted  
Dimensions may vary by 1/4"

Somerset Small Copper Wall Mount	
 <b>St. James LIGHTING</b>	
SCALE: N.T.S.	DRAFT: B. Vial
FILE: SOMS	APP'D: J. Ragan
JOB: x	DATE: 5/25/17

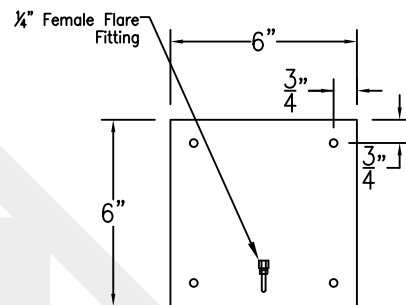
# SOMERSET SMALL STEEL WALL MOUNT

Gas



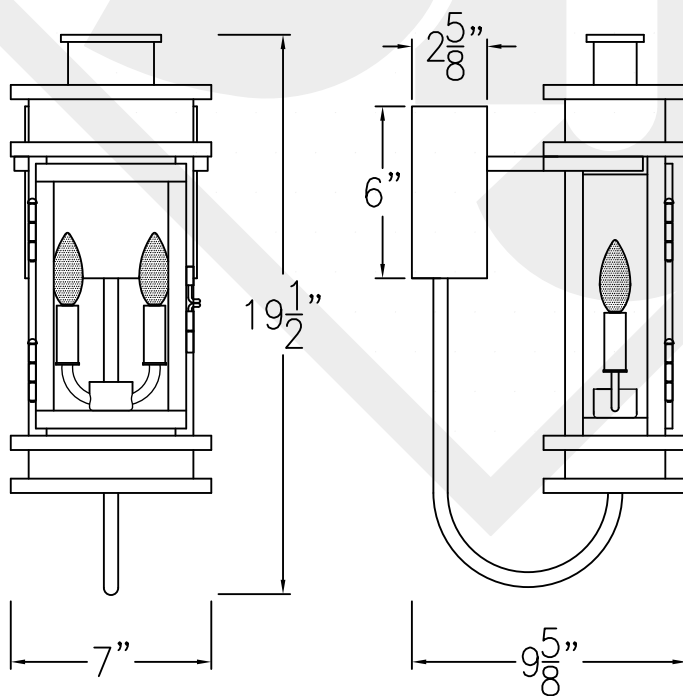
Front View

Side View



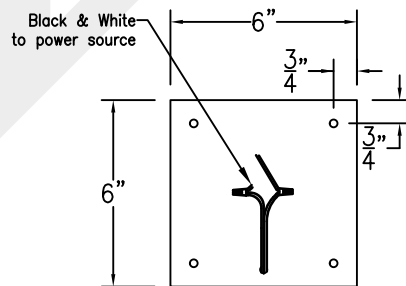
Backplate

Electric




Front View

Side View

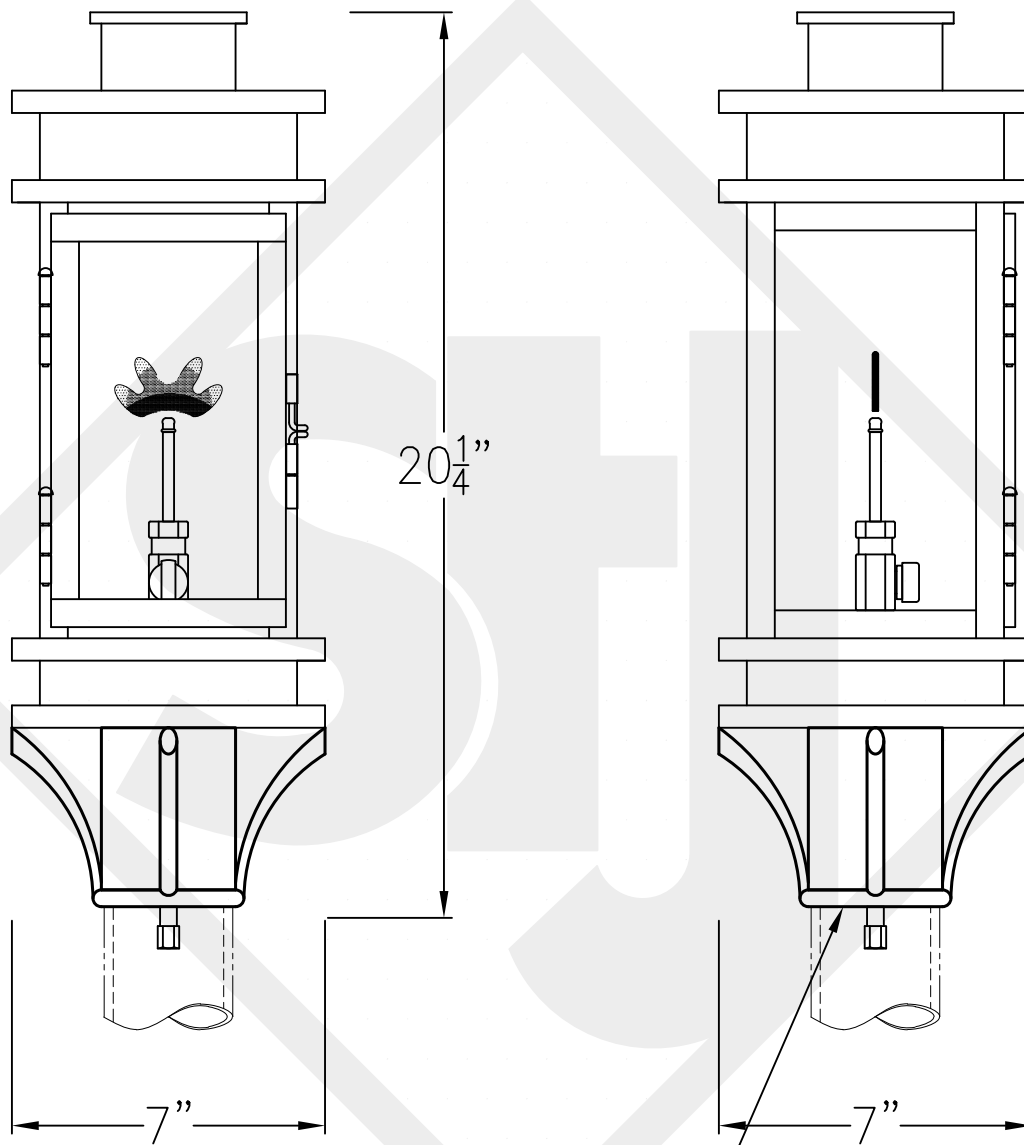


Backplate

Lights are hand crafted  
Dimensions may vary by 1/4"

Somerset Small Copper Wall Mount	
 <b>St. James LIGHTING</b>	
SCALE: N.T.S.	DRAFT: B. Vial
FILE: SomM	APP'D: J. Ragan
JOB: x	DATE: 5/25/17

# SOMERSET SMALL COPPER POST MOUNT




Front View

Side View

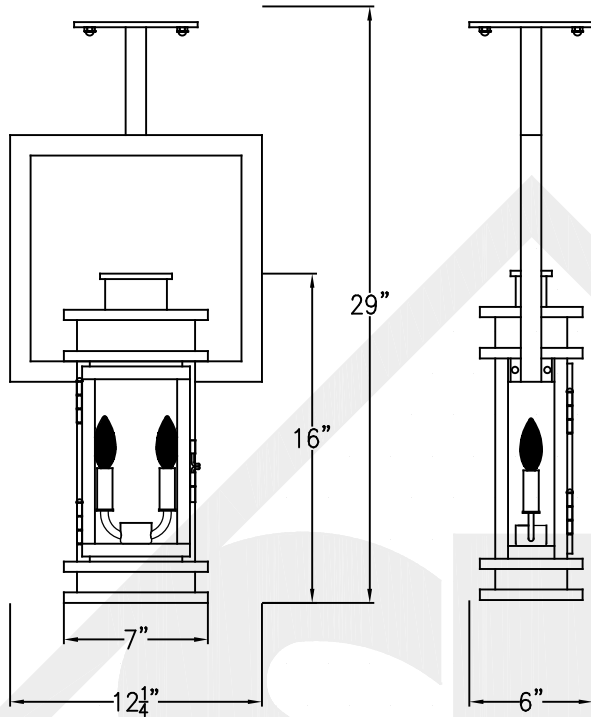
Fits over 3" post  
1/4" Female Flare Fitting

Lights are hand crafted  
Dimensions may vary by 1/4"

Somerset Small Copper Post Mount	
 St. James LIGHTING	
SCALE: N.T.S.	DRAFT: B. Vial
FILE: SomM	APP'D: J. Ragan
JOB: x	DATE: 9/21/17

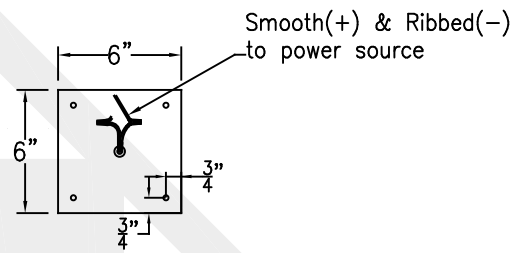
# SOMERSET SMALL CEILING HALF YOKE

Electric



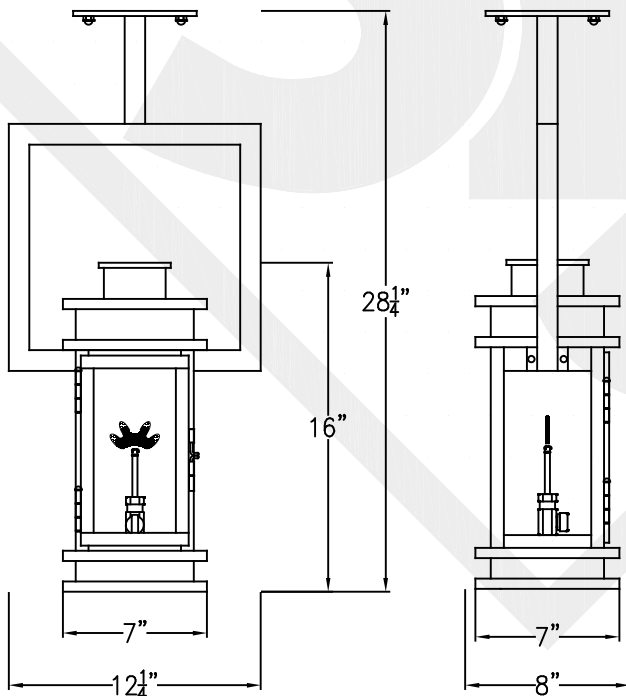
Front View

Side View



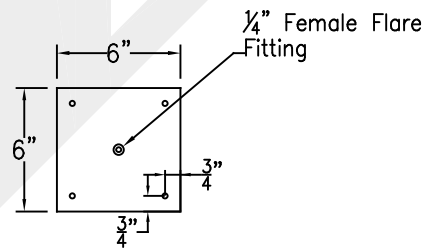
Ceiling Mount

Gas




Front View

Side View



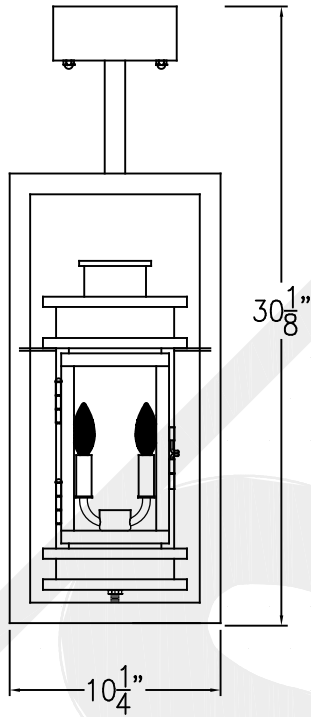
Ceiling Mount

Lights are hand crafted  
Dimensions may vary by 1/4"

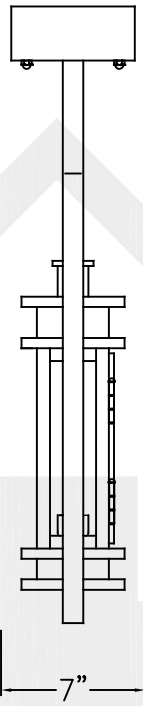
Somerset Small Ceiling Half Yoke	
 <b>St. James LIGHTING</b>	
SCALE: N.T.S.	DRAFT: B. Vial
FILE: SomM	APP'D: J. Ragan
JOB: x	DATE: 06/15/18

# SOMERSET SMALL CEILING FULL YOKE

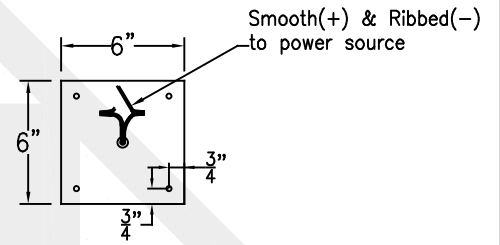
Electric



Front View

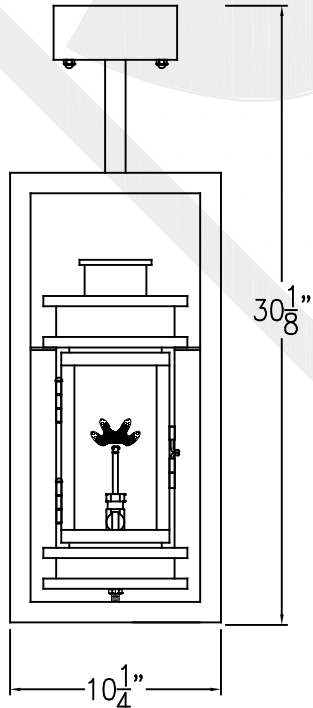


Side View

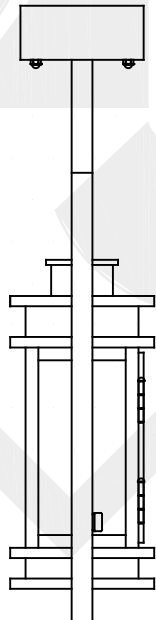


Ceiling Mount

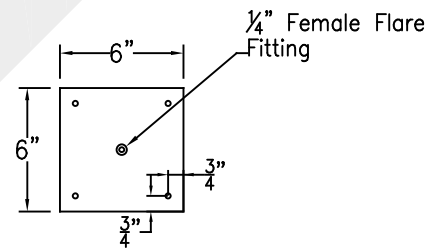
Gas



Front View




Side View



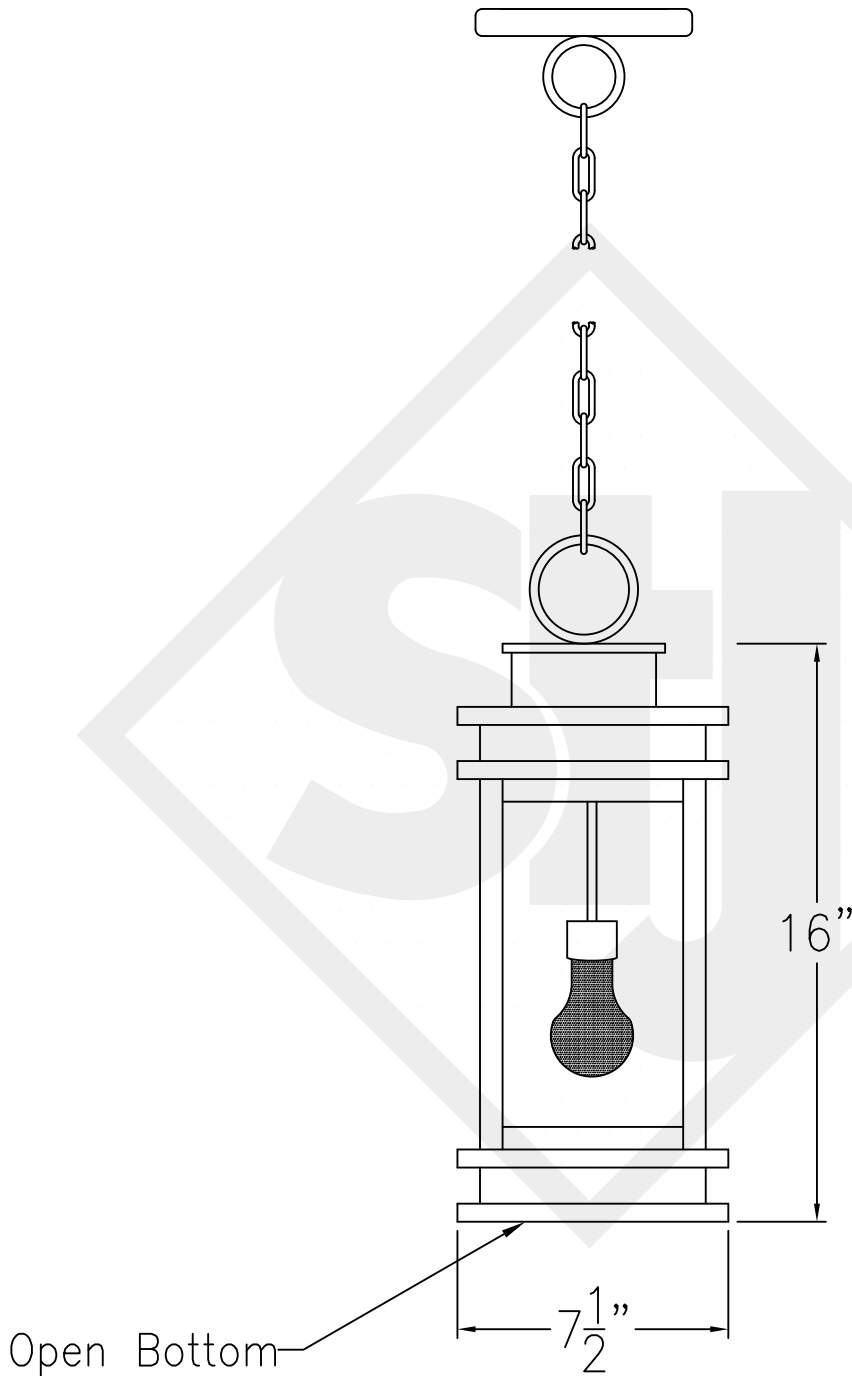
Ceiling Mount

Lights are hand crafted  
Dimensions may vary by 1/4"

Somerset Small Ceiling Full Yoke	
 <b>St. James LIGHTING</b>	
SCALE: N.T.S.	DRAFT: B. Vial
FILE: SomM	APP'D: J. Ragan
JOB: x	DATE: 06/15/18


# SOMERSET SMALL PENDANT

Comes standard w/ 6'  
of chain



Front View

Lights are hand crafted  
Dimensions may vary by 1/4"

Somerset Small Pendant	
 St. James LIGHTING	
SCALE: N.T.S.	DRAFT: B. Vial
FILE: SOMM	APP'D: J. Ragan
JOB: X	DATE: 4/10/17