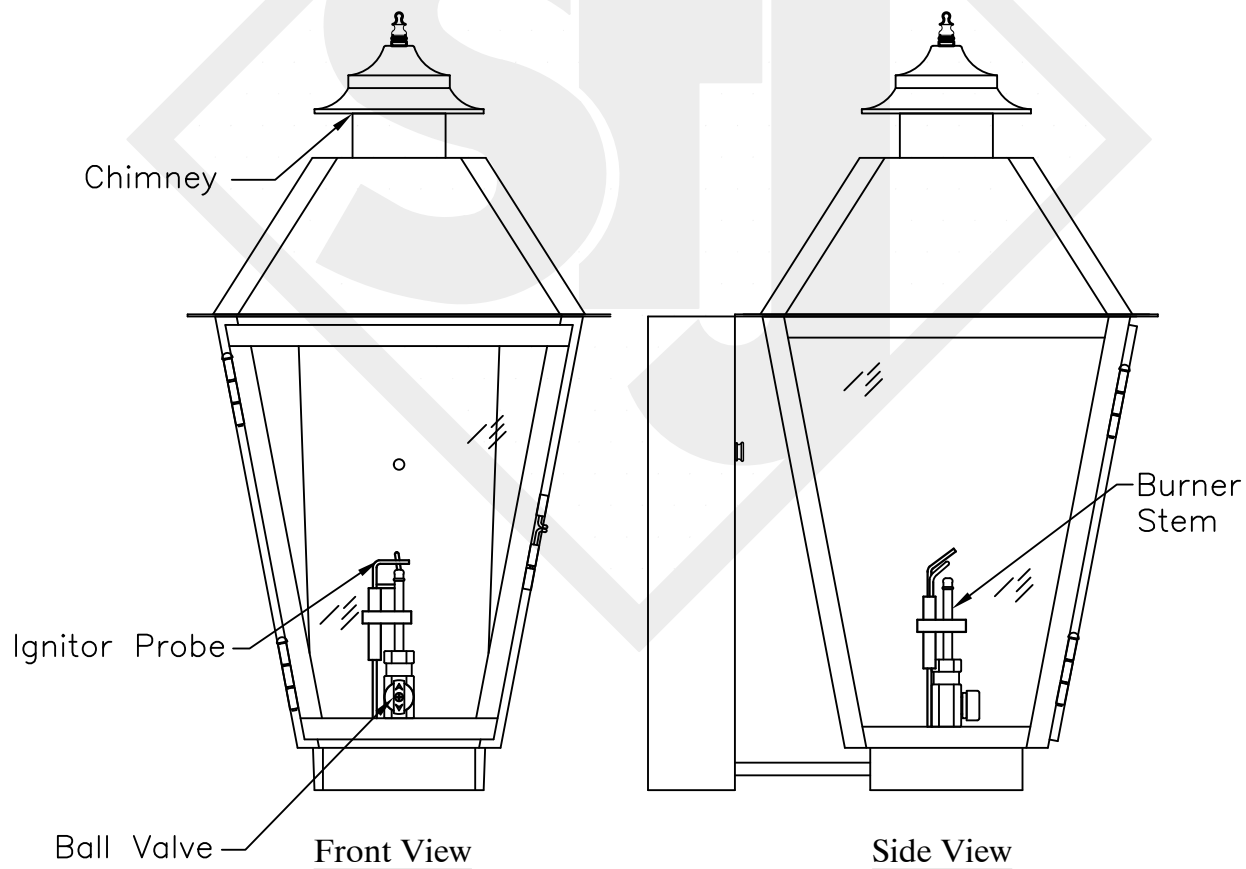



GENERAL GAS LANTERN MAINTENANCE

AUTOMATIC IGNITION - NATURAL GAS

Follow these instructions to maintain proper working order for your Gas Lanterns. Maintaining your Gas Lanterns will keep them working correctly for a long time. These processes are suggested 2–4 times a year, or as needed.

- Make sure the gas is turned off to the lantern and it has at least 10 minutes to cool off
- Check the slit in the top of the burner stem for debris and carbon build up. You can use non-wax dental floss to clear the opening up to allow for uninterrupted gas flow
- The Igniter Probes must be free and clear of carbon build up in order for a flame to be maintained. Use a rag or light sand paper to remove any build up on the Probes. Make sure to be clean gently, the probes can break if too much pressure is applied
- Make sure the chimney is free and clear of debris



General Gas Lantern Maintenance	
 St. James LIGHTING	
SCALE: N.T.S.	DRAFT: B. Vial
FILE: INSTALL	APP'D: J. Ragon
JOB: X	DATE: 11/20/17