

TYPICAL INSTALLATION INSTRUCTIONS

COPPER WALL BRACKET-GAS

Applies to all Copper Wall Mounted lanterns
Sizes : Small & Medium

Light Supplied w/
1-Mounting Bar
1-Brass IP Cap
1-2"x 1/8" IP All Thread Nipple

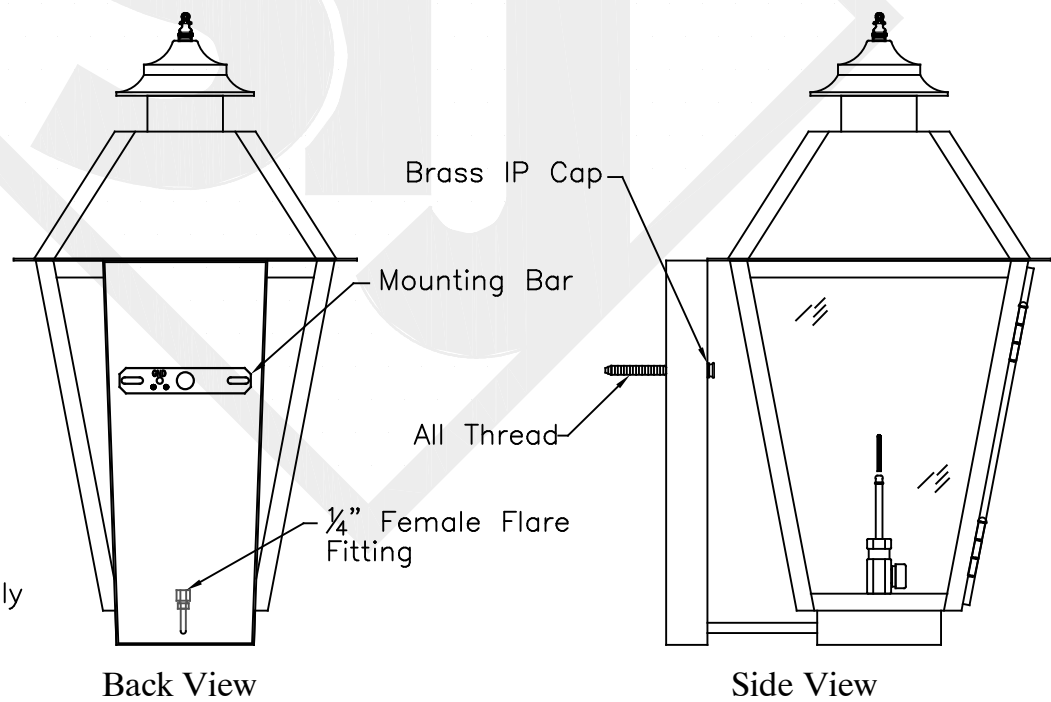
Natural Gas Requires 7" W.C. BTU 2730
Propane Gas Requires 11" W.C. BTU 2080

Attach the Mounting Bar that's provided to the junction box with screws. Screw All Thread Nipple into the Mounting Bar, leaving enough of the nipple to penetrate through the hole in the bracket. Connect the gas line from the lantern to the main. Make sure to test the fittings for gas leaks before securing the lantern to the wall. Position light over the all thread nipple and attach cap, tightening to securely mount light.

Clearance:


-12" from vent
to ceiling
-6" from sides

Apply Caulking to
both sides and top of
Wall Box. DO NOT apply
on bottom



CAUTION: Risk of fire or electric shock

This product is to be installed by a qualified Plumber ONLY.
Installation must conform with all local codes or, in the absence of
local codes, to UL, Gas Code ANSI Z21.42 - 2004, Gas Illuminating
Appliance

Typical Install Copper Wall Bracket	
 St. James LIGHTING	
SCALE: N.T.S.	DRAFT: B. Vial
FILE: INSTALL	APP'D: J. Ragan
JOB: X	DATE: 10/11/17