

TYPICAL INSTALLATION INSTRUCTIONS

HIGH TOWER BRACKET-GAS

Applies to all High Tower Mounted lanterns
Sizes : Small, Medium, Large & Grande

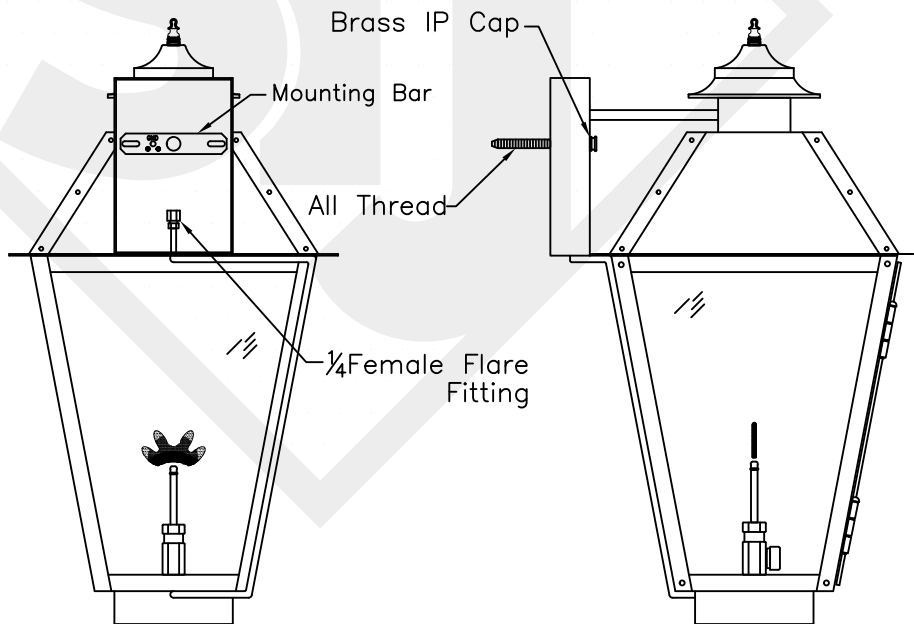
Light Supplied w/
1-Mounting Bar
1-Brass IP Cap
1-2" x 1/8" IP All Thread Nipple

Natural Gas Requires 7" W.C. BTU 2730
Propane Gas Requires 11" W.C. BTU 2080

Attach the Mounting Bar that's provided to the junction box with screws. Screw All Thread Nipple into the Mounting Bar, leaving enough of the nipple to penetrate through the hole in the bracket. Connect the gas line from the lantern to the main. Make sure to test the fittings for gas leaks before securing the lantern to the wall. Position light over the all thread nipple and attach cap, tightening to securely mount light.

Clearance:

- 12" from vent to ceiling
- 6" from sides




Apply Caulking to both sides and top of Wall Box. DO NOT apply on bottom

Back View

Side View

CAUTION: Risk of fire or electric shock

This product is to be installed by a qualified Plumber ONLY. Installation must conform with all local codes or, in the absence of local codes, to UL, Gas Code ANSI Z21.42 - 2004, Gas Illuminating Appliance

Typical Install High Tower Bracket	
 St. James LIGHTING	
SCALE: N.T.S.	DRAFT: B. Vial
FILE: INSTALL	APP'D: J. Ragan
JOB: X	DATE: 03/15/18