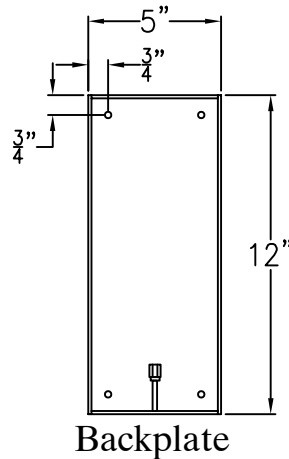
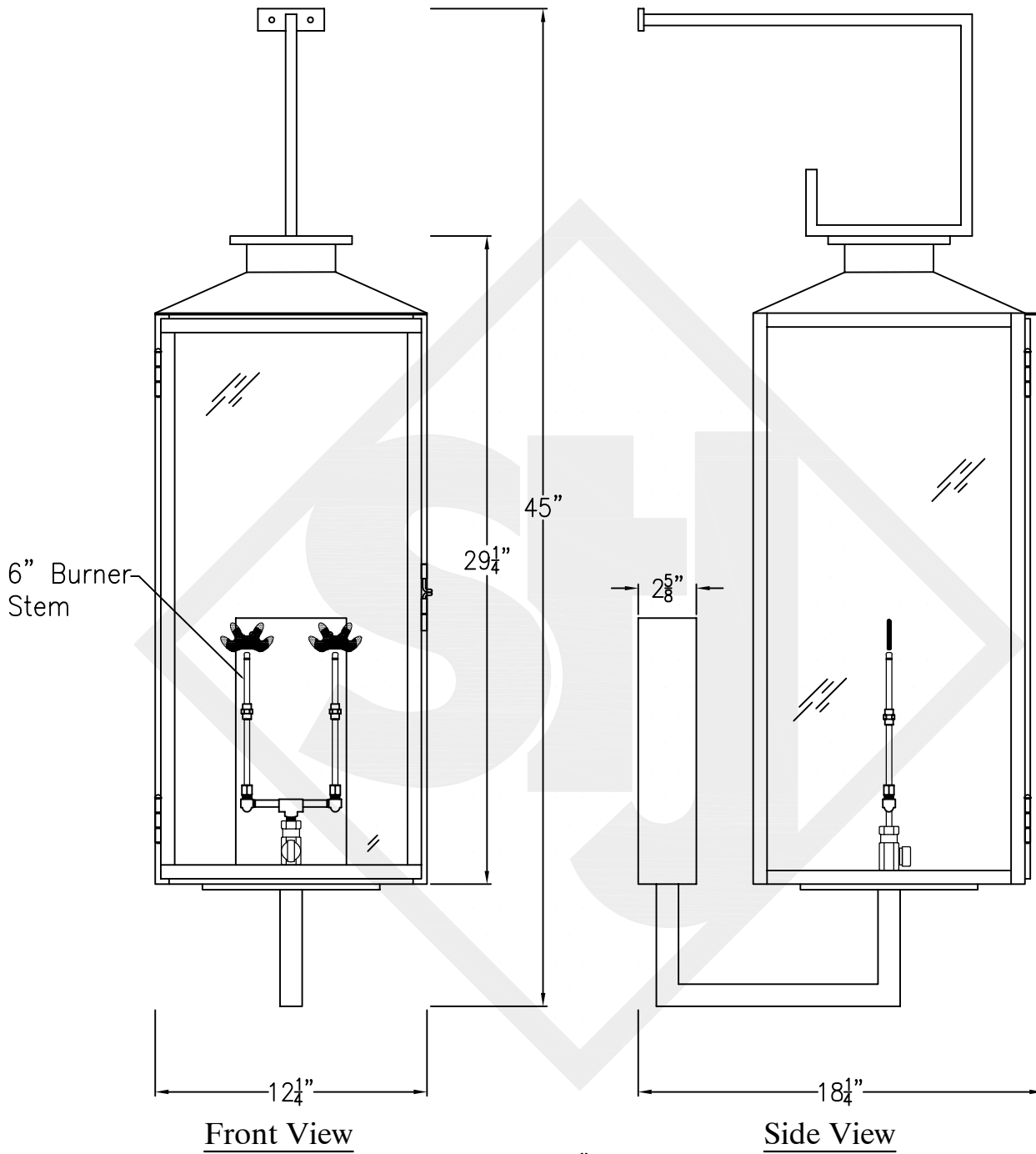


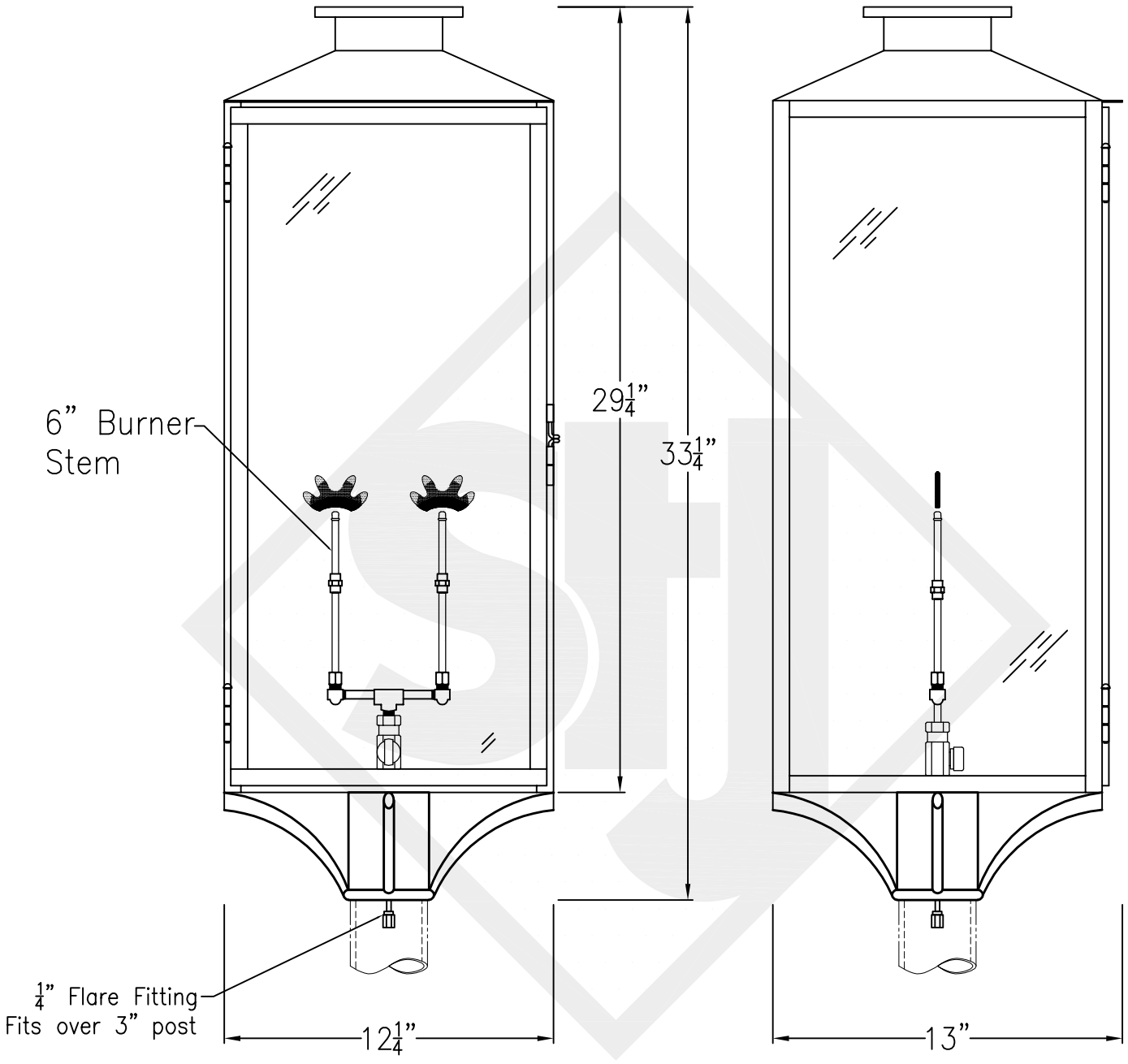
OXFORD GRANDE STEEL WALL MOUNT



Lights are hand crafted
Dimensions may vary by 1/4"

Oxford Grande Wall Mount	
St. James LIGHTING	
SCALE: N.T.S.	DRAFT: B. Vial
FILE: OXF	APP'D: J. Ragan
JOB: X	DATE: 01/14/20

OXFORD GRANDE COPPER POST MOUNT

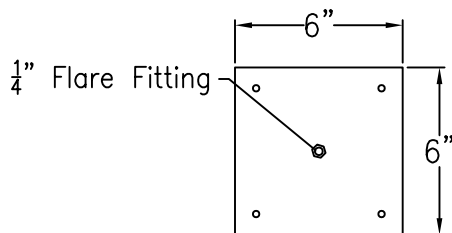
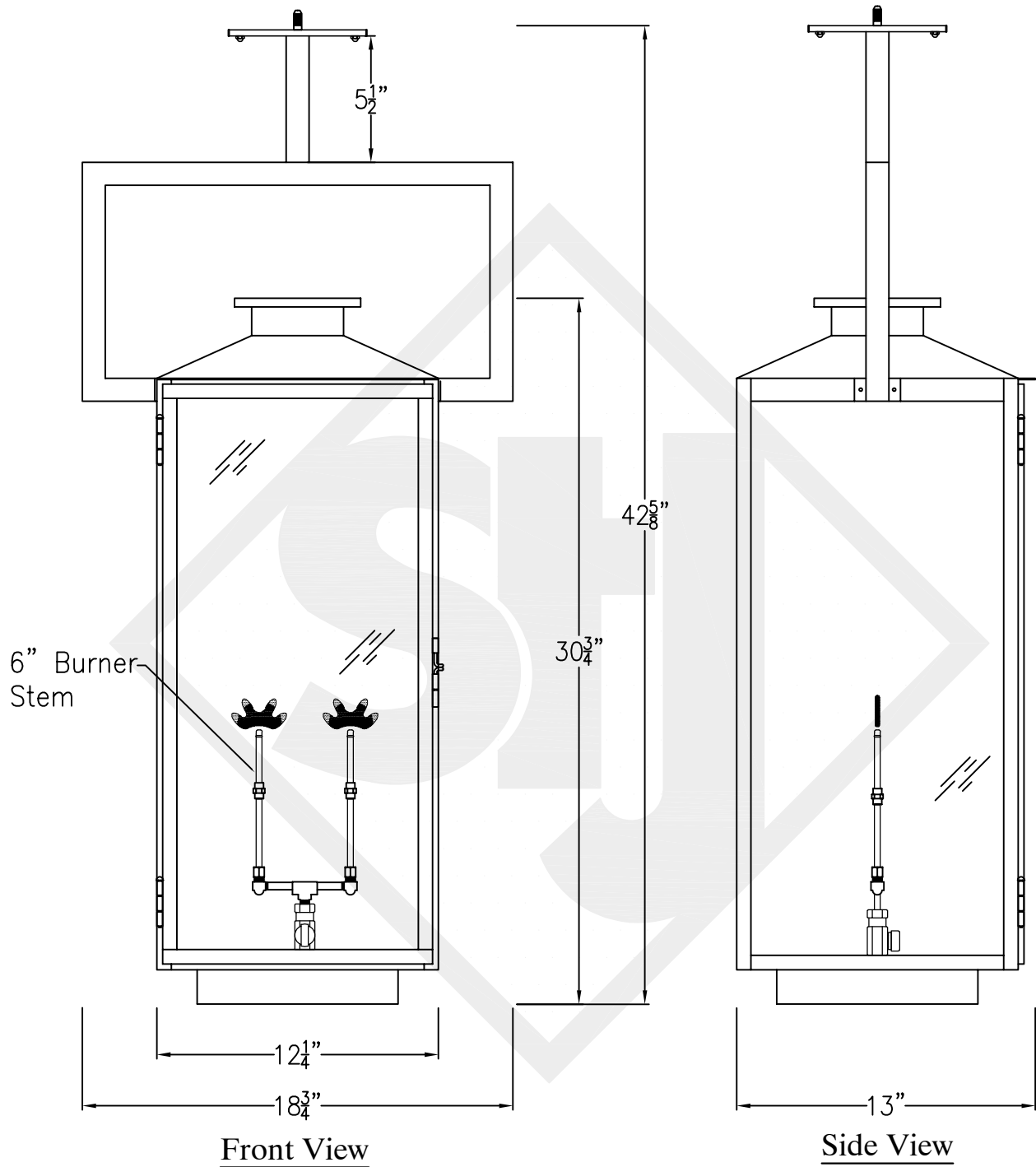


Lights are hand crafted
Dimensions may vary by 1/4"

Oxford Grande Copper Post Mount	
St. James LIGHTING	
SCALE: N.T.S.	DRAFT: B. Vial
FILE: OXF	APP'D: J. Ragan
JOB: X	DATE: 03/06/20

OXFORD GRANDE CEILING MOUNT HALF YOKE

Shortest Height 42 ⁵/₈"



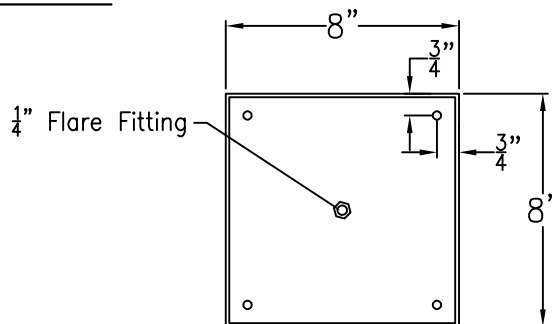
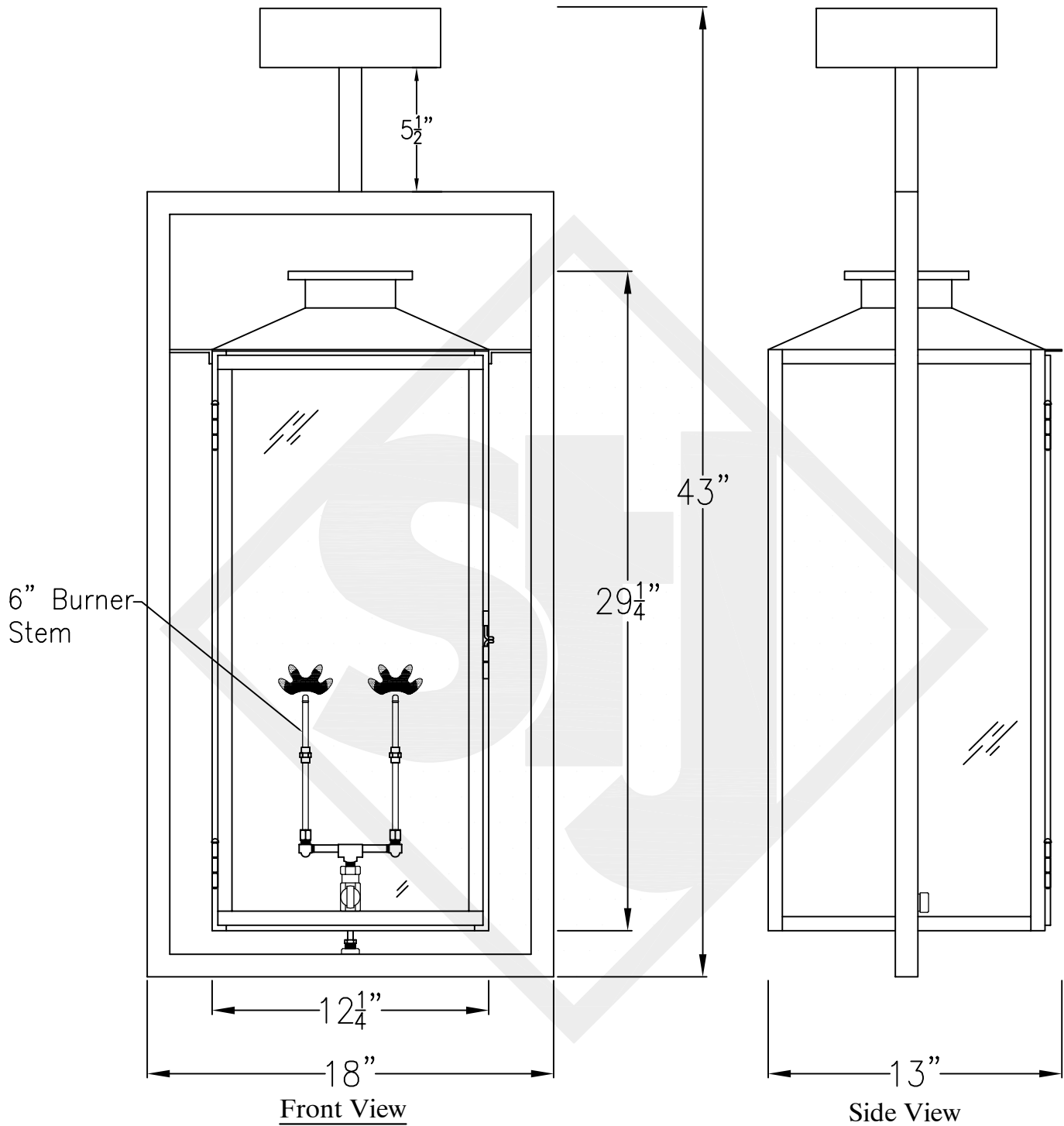
Ceiling Plate

Lights are hand crafted
Dimensions may vary by 1/4"

Oxford Grande Ceiling Mount Half Yoke	
St. James LIGHTING	
SCALE: N.T.S.	DRAFT: B. Vial
FILE: OXF	APP'D: J. Ragan
JOB: X	DATE: 1/14/20

OXFORD GRANDE CEILING MOUNT FULL YOKE

Shortest Height 43"

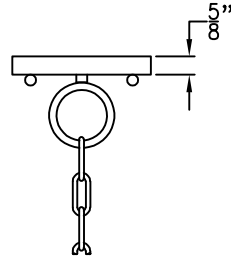


Mounting Box

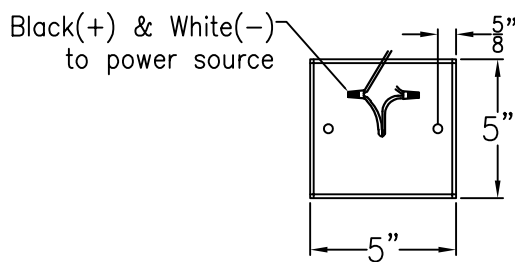
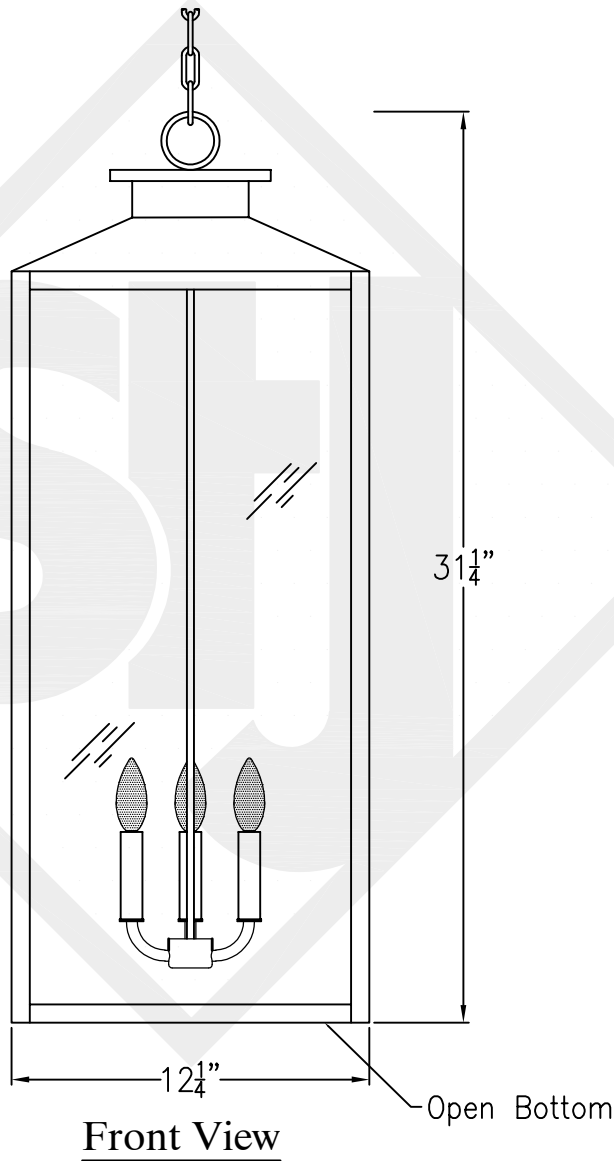
Lights are hand crafted
Dimensions may vary by 1/4"

Oxford Grande Ceiling Mount Full Yoke	
St. James LIGHTING	
SCALE: N.T.S.	DRAFT: B. Vial
FILE: OXF	APP'D: J. Ragan
JOB: X	DATE: 11/13/19

OXFORD GRANDE CHAIN HUNG PENDANT



Comes standard w/ 6ft of chain



Ceiling Canopy

Lights are hand crafted
Dimensions may vary by 1/4"

Oxford Grande Chain Hung Pendant	
St. James LIGHTING	
SCALE: N.T.S.	DRAFT: B. Vial
FILE: OXF	APP'D: J. Ragan
JOB: X	DATE: 11/13/19