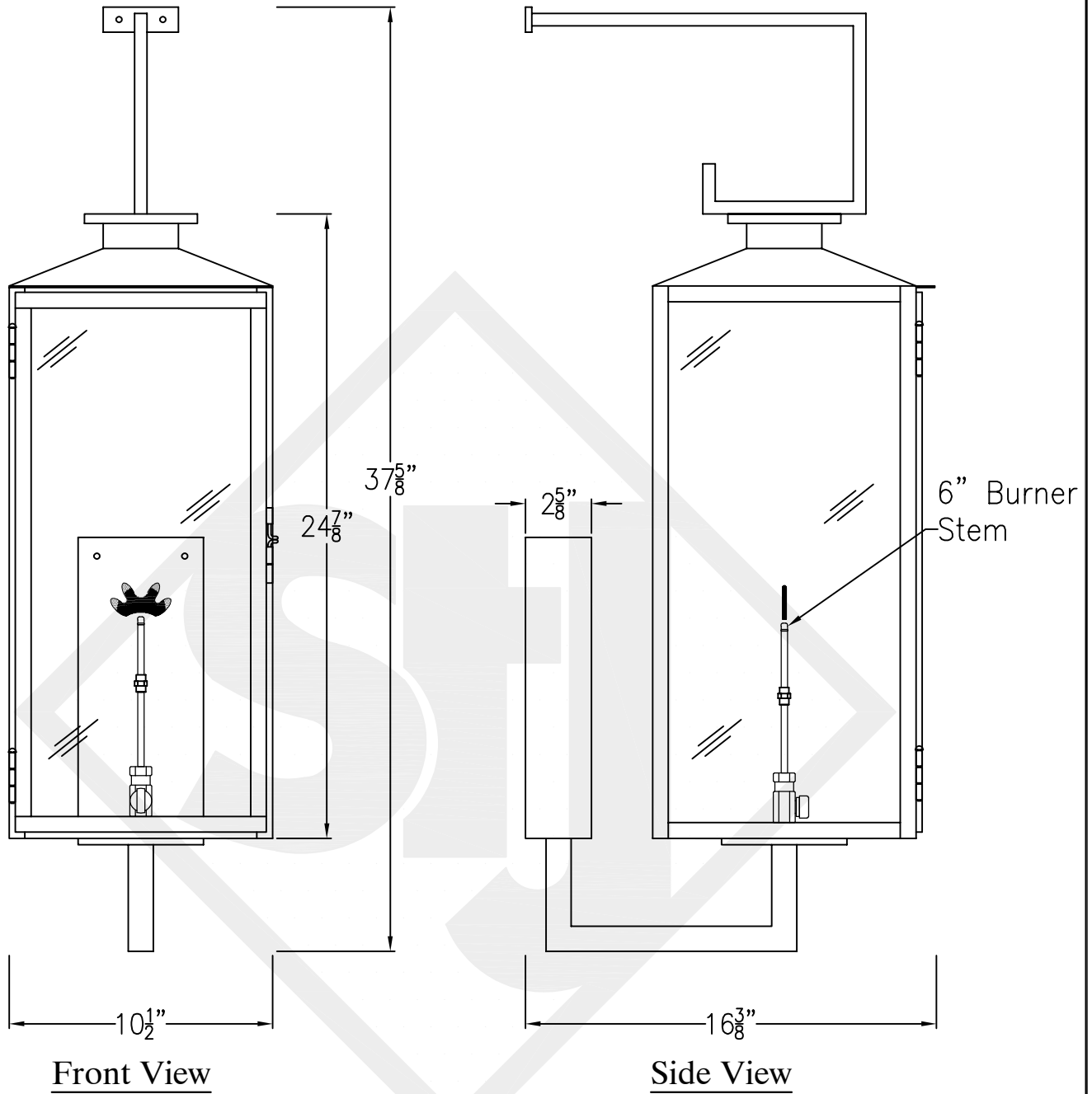


# OXFORD LARGE STEEL WALL MOUNT

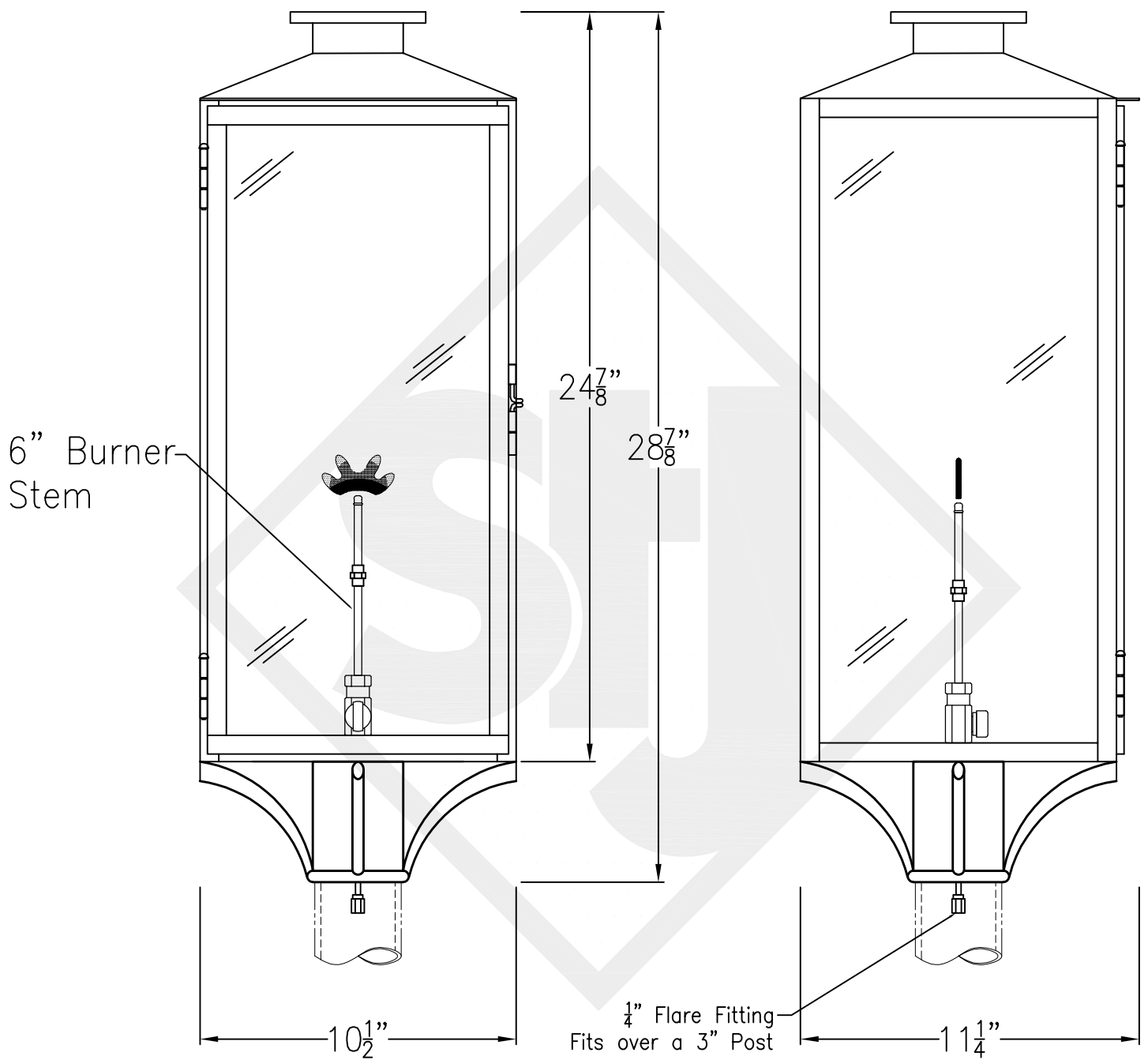


Lights are hand crafted  
Dimensions may vary by  $\frac{1}{4}$ "

Backplate

Oxford Large Wall Mount	
<b>St. James LIGHTING</b>	
SCALE: N.T.S.	DRAFT: B. Vial
FILE: OXF	APP'D: J. Ragan
JOB: X	DATE: 01/07/20

# OXFORD LARGE COPPER POST MOUNT



Front View

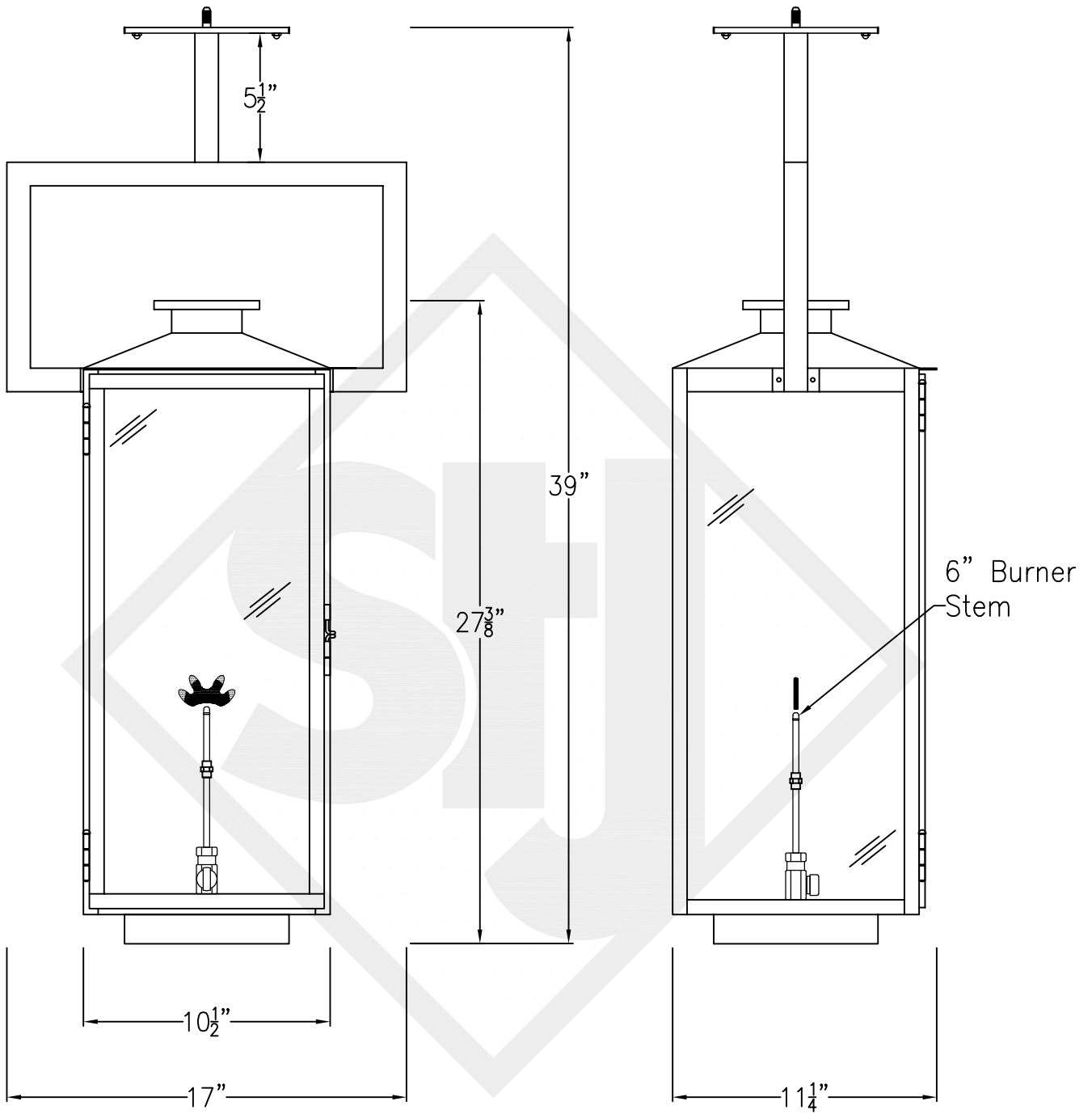
Side View

Lights are hand crafted  
Dimensions may vary by 1/4"

Oxford Large Copper Post	
<b>St. James LIGHTING</b>	
SCALE: N.T.S.	DRAFT: B. Vial
FILE: OXF	APP'D: J. Ragan
JOB: X	DATE: 03/06/20

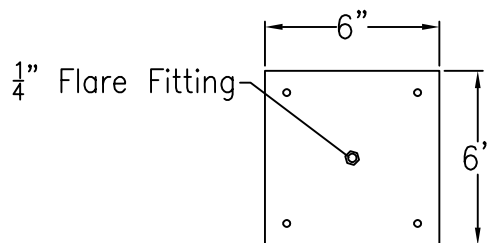
# OXFORD LARGE CEILING MOUNT HALF YOKE

Shortest Height 39"



Front View

Side View



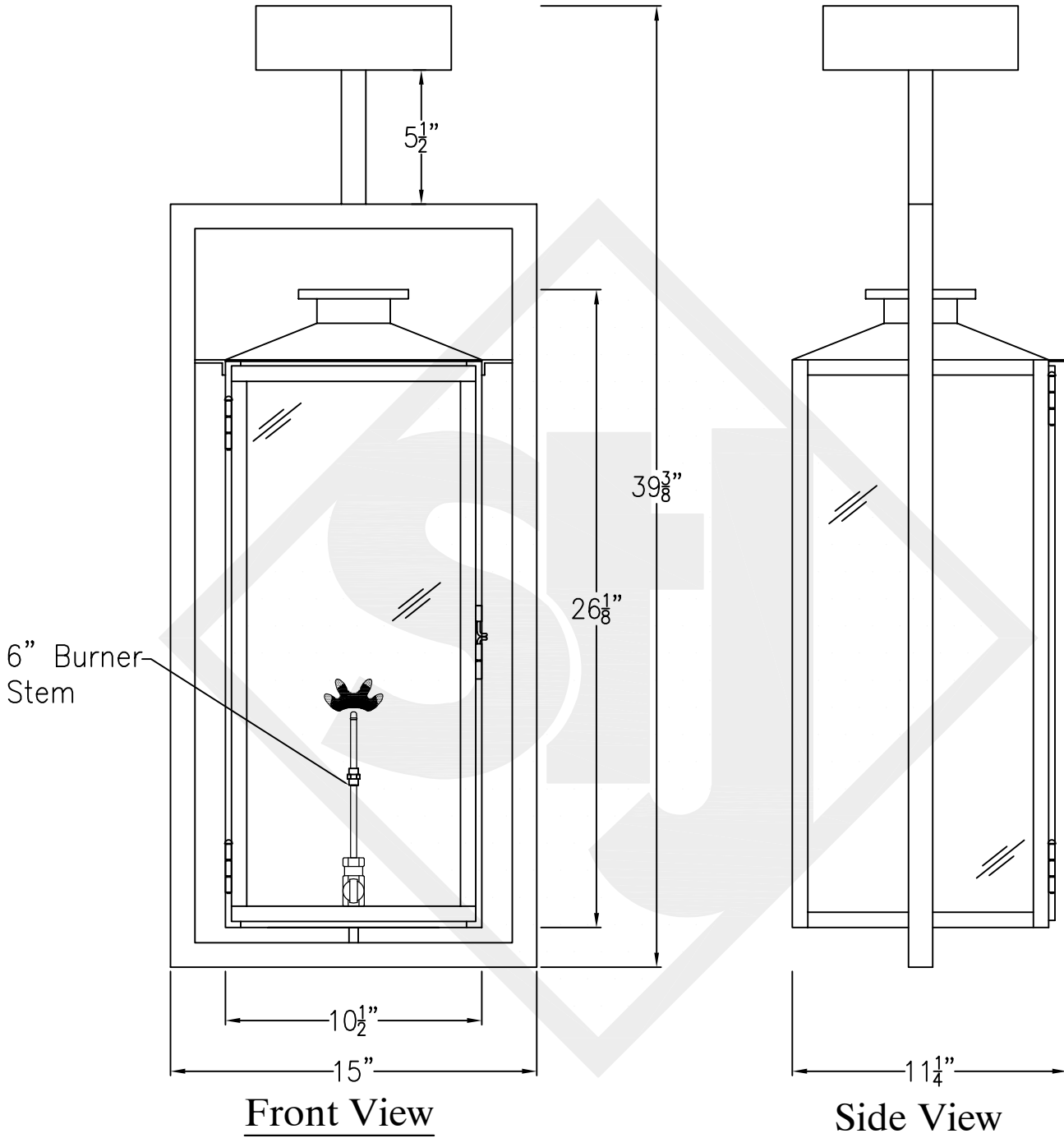
Ceiling Plate

Lights are hand crafted  
Dimensions may vary by 1/4"

Oxford Large Ceiling Mount Half Yoke	
<b>St. James LIGHTING</b>	
SCALE: N.T.S.	DRAFT: B. Vial
FILE: OXF	APP'D: J. Ragan
JOB: X	DATE: 01/07/20

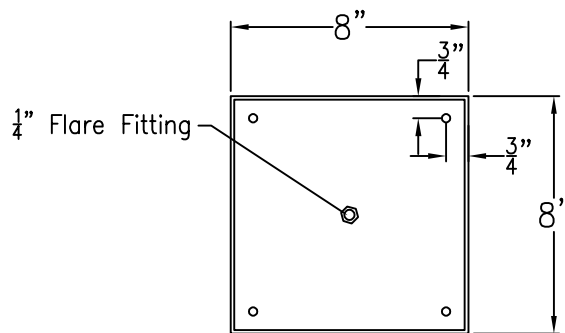
# OXFORD LARGE CEILING MOUNT FULL YOKE

Shortest Height 38  $\frac{3}{8}$ "



Front View

Side View



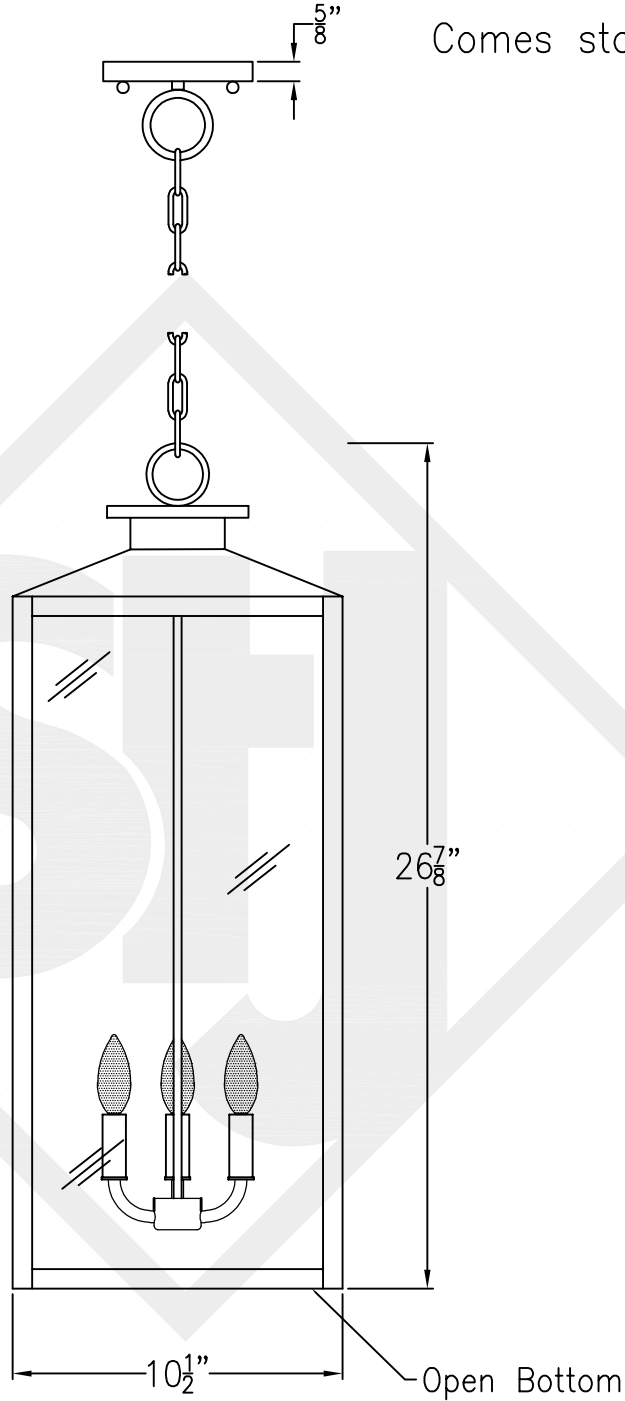
Ceiling Mount

Lights are hand crafted  
Dimensions may vary by  $\frac{1}{4}$ "

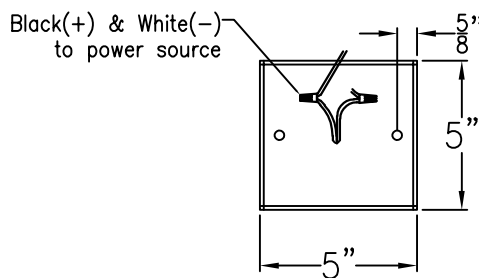
Oxford Large Ceiling Mount Full Yoke	
<b>St. James LIGHTING</b>	
SCALE: N.T.S.	DRAFT: B. Vial
FILE: OXF	APP'D: J. Ragan
JOB: X	DATE: 02/19/20

# OXFORD LARGE CHAIN HUNG PENDANT

Comes standard w/ 6ft  
of chain



Front View



Ceiling Canopy

Lights are hand crafted  
Dimensions may vary by 1/4"

Oxford Large Chain Hung Pendant	
<b>St. James LIGHTING</b>	
SCALE: N.T.S.	DRAFT: B. Vial
FILE: OXF	APP'D: J. Ragan
JOB: X	DATE: 03/03/20