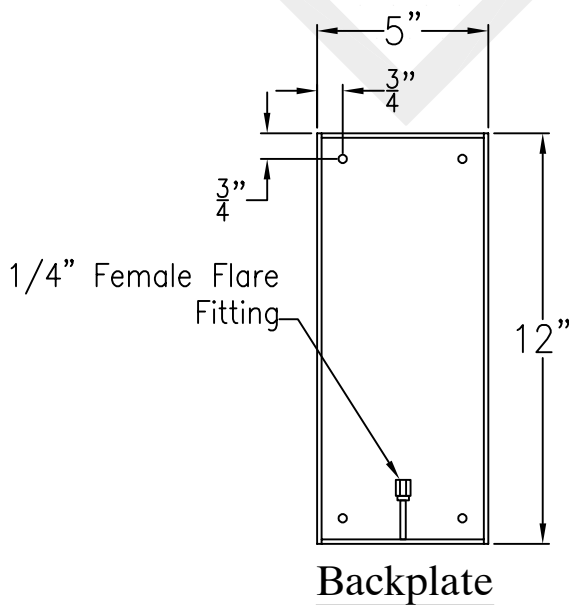
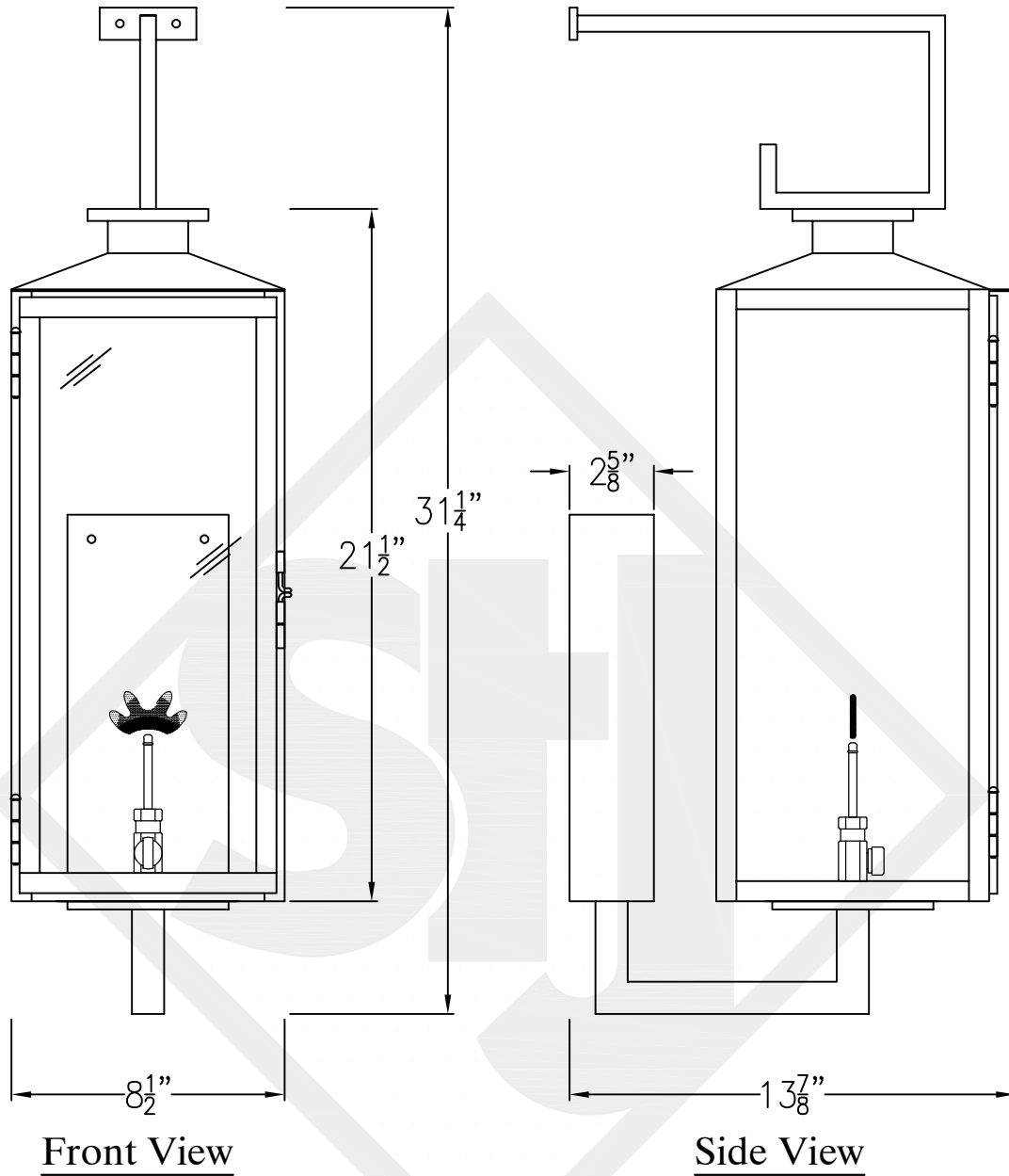


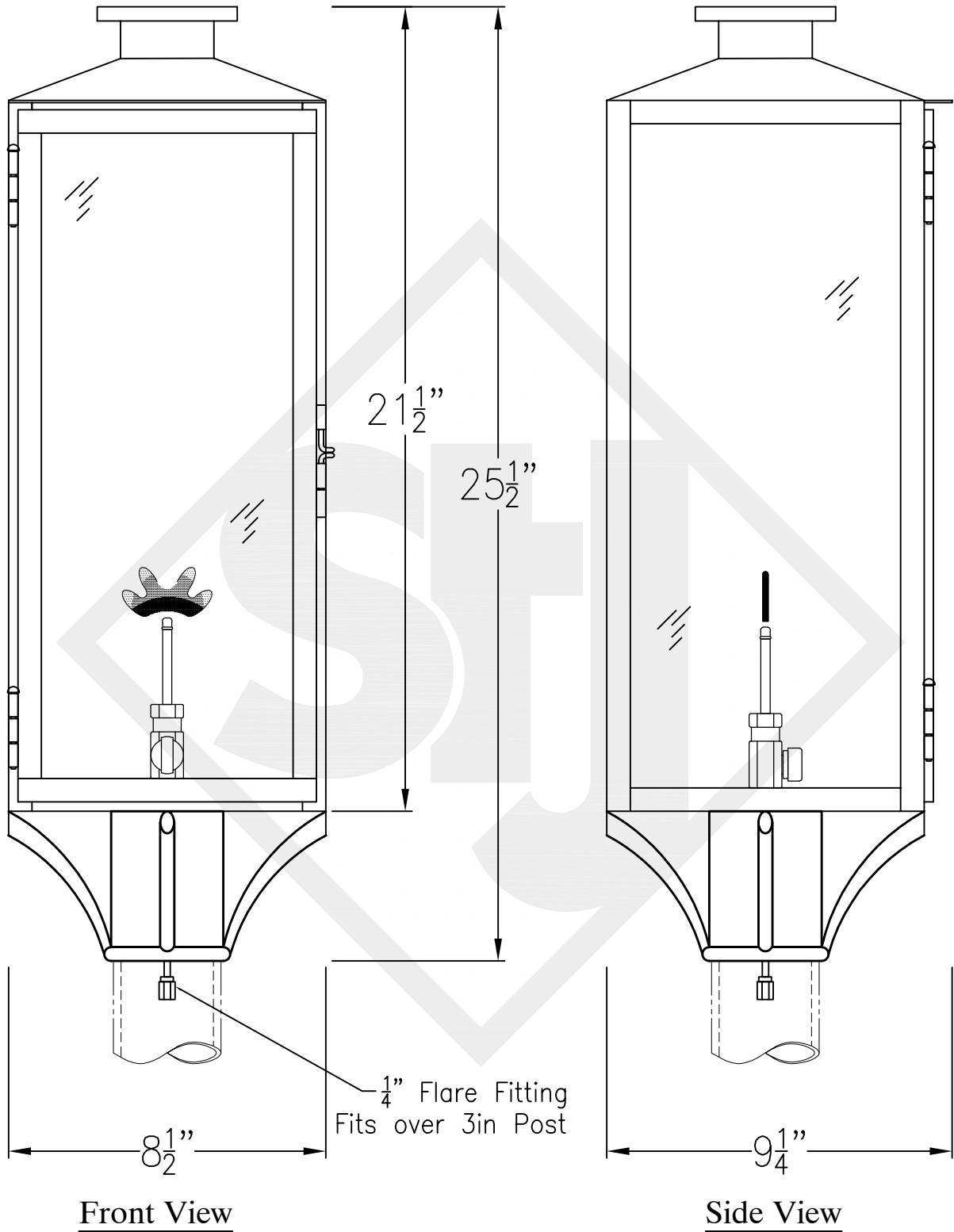
# OXFORD MEDIUM STEEL WALL MOUNT



Lights are hand crafted  
Dimensions may vary by 1/4"

Oxford Medium Wall Mount	
<b>St. James LIGHTING</b>	
SCALE: N.T.S.	DRAFT: B. Vial
FILE: OXF	APP'D: J. Ragan
JOB: X	DATE: 01/07/20


# OXFORD MEDIUM COPPER POST MOUNT



**Front View**

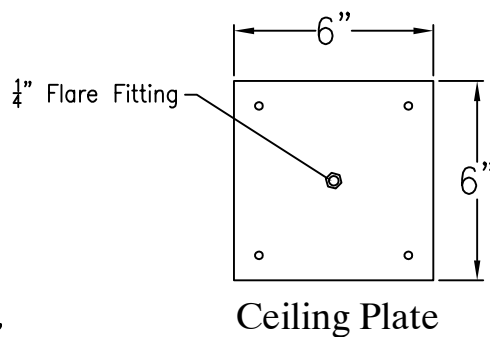
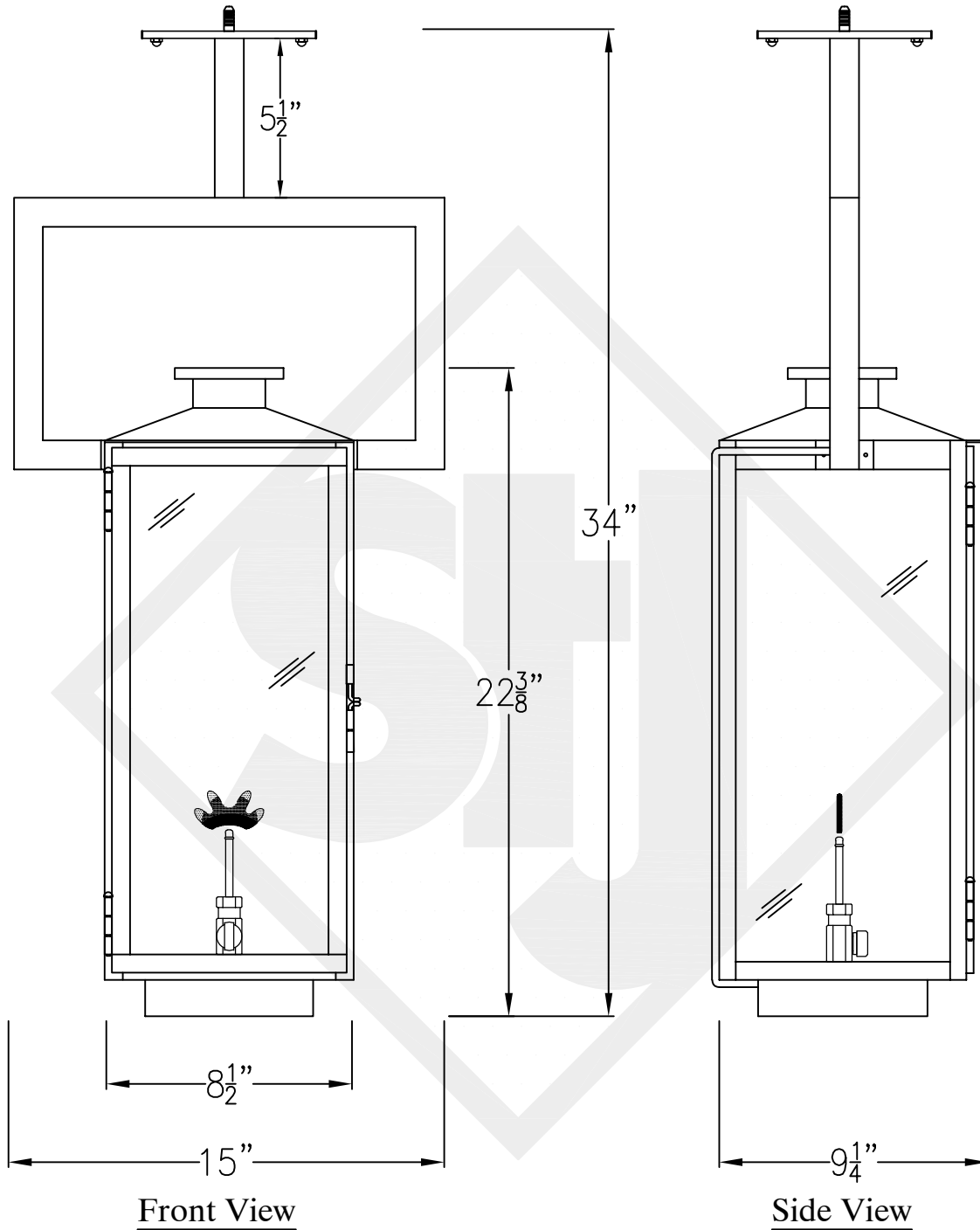
**Side View**

Lights are hand crafted  
Dimensions may vary by 1/4"

Oxford Medium Copper Post Mount	
 <b>St. James LIGHTING</b>	
SCALE: N.T.S.	DRAFT: B. Vial
FILE: OXF	APP'D: J. Ragan
JOB: X	DATE: 01/07/20

# OXFORD MEDIUM CEILING MOUNT HALF YOKE

Shortest Height 34"

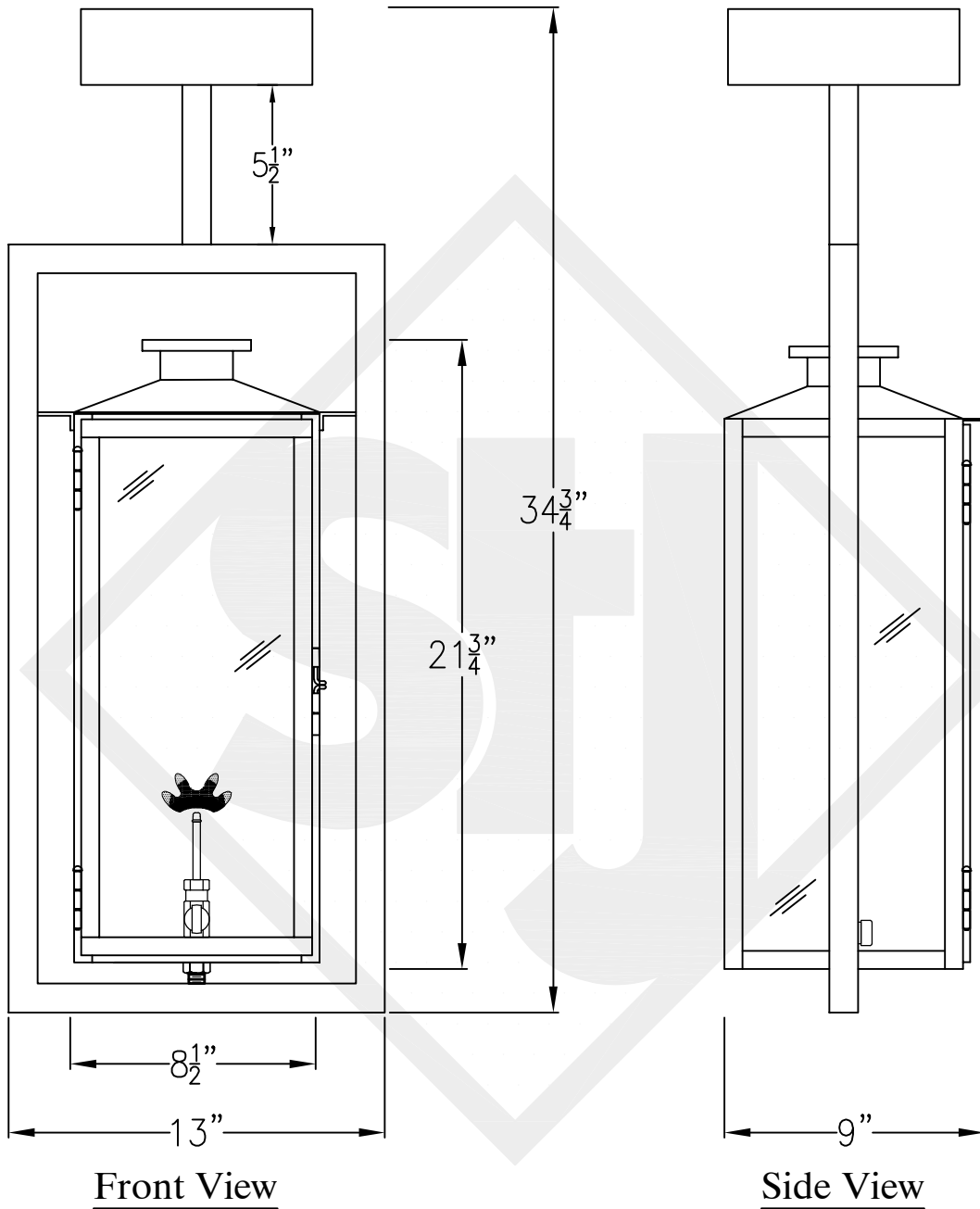


Lights are hand crafted  
Dimensions may vary by 1/4"

Oxford Medium Ceiling Mount Half Yoke	
<b>St. James LIGHTING</b>	
SCALE: N.T.S.	DRAFT: B. Vial
FILE: OXF	APP'D: J. Ragan
JOB: X	DATE: 01/07/20

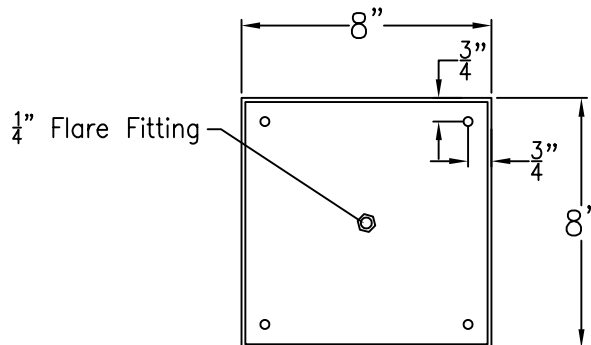
# OXFORD MEDIUM CEILING MOUNT FULL YOKE

Shortest Height  $34 \frac{3}{4}$ "



Front View

Side View



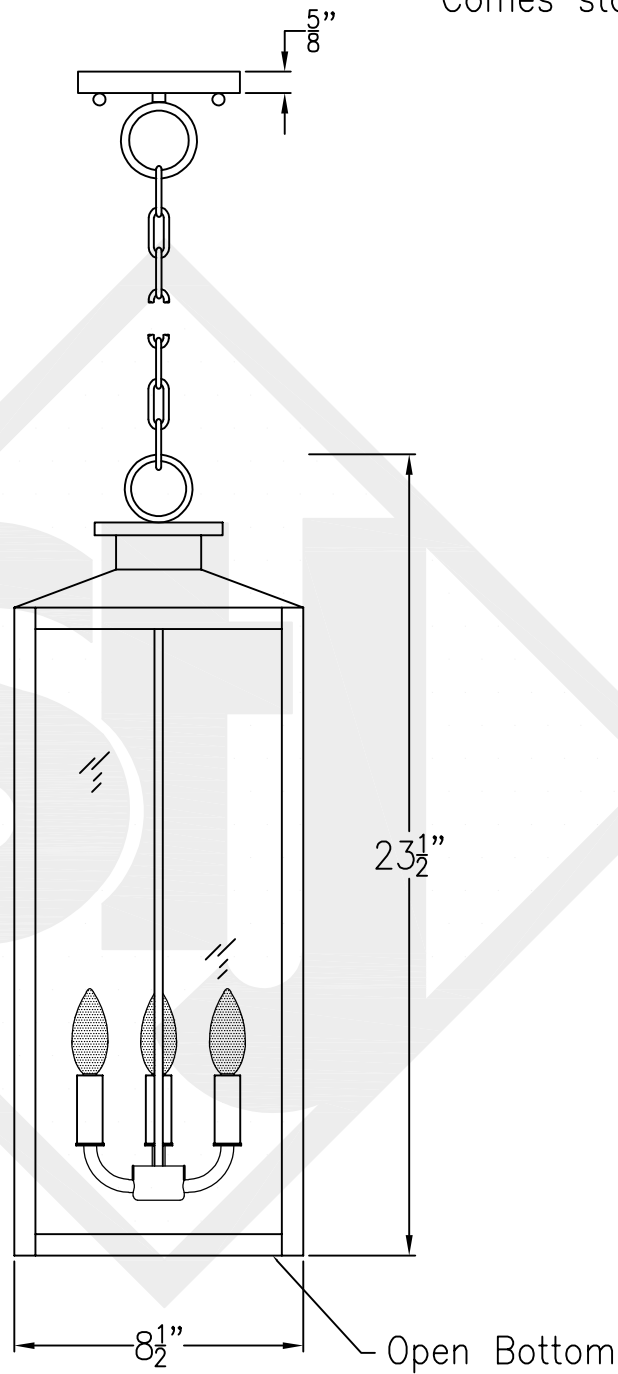
Mounting Box

Lights are hand crafted  
Dimensions may vary by 1/4"

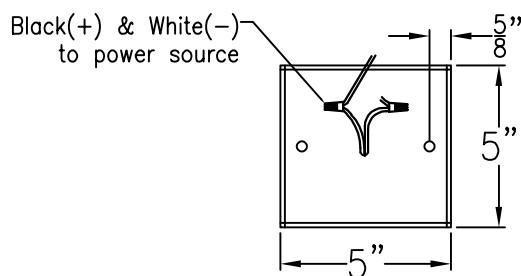
Oxford Medium Ceiling Mount Full Yoke	
<b>St. James LIGHTING</b>	
SCALE: N.T.S.	DRAFT: B. Vial
FILE: OXF	APP'D: J. Ragan
JOB: X	DATE: 01/07/20

# OXFORD MEDIUM CHAIN HUNG PENDANT

Comes standard w/ 6ft  
of chain



Front View



Ceiling canopy

Lights are hand crafted  
Dimensions may vary by 1/4"

Oxford Medium Chain Hung Pendant	
<b>St. James LIGHTING</b>	
SCALE: N.T.S.	DRAFT: B. Vial
FILE: OXF	APP'D: J. Ragan
JOB: X	DATE: 01/07/20