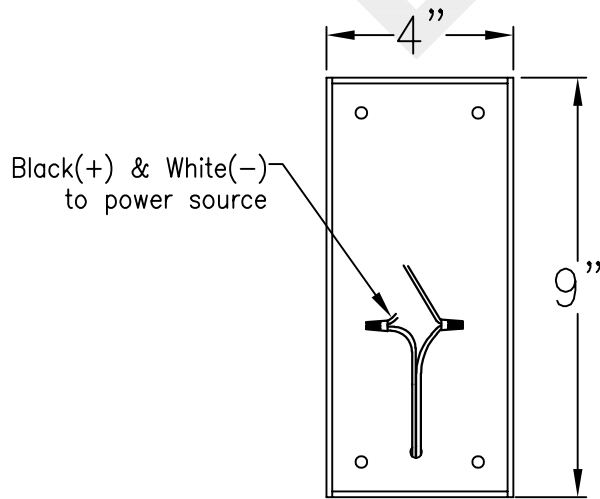
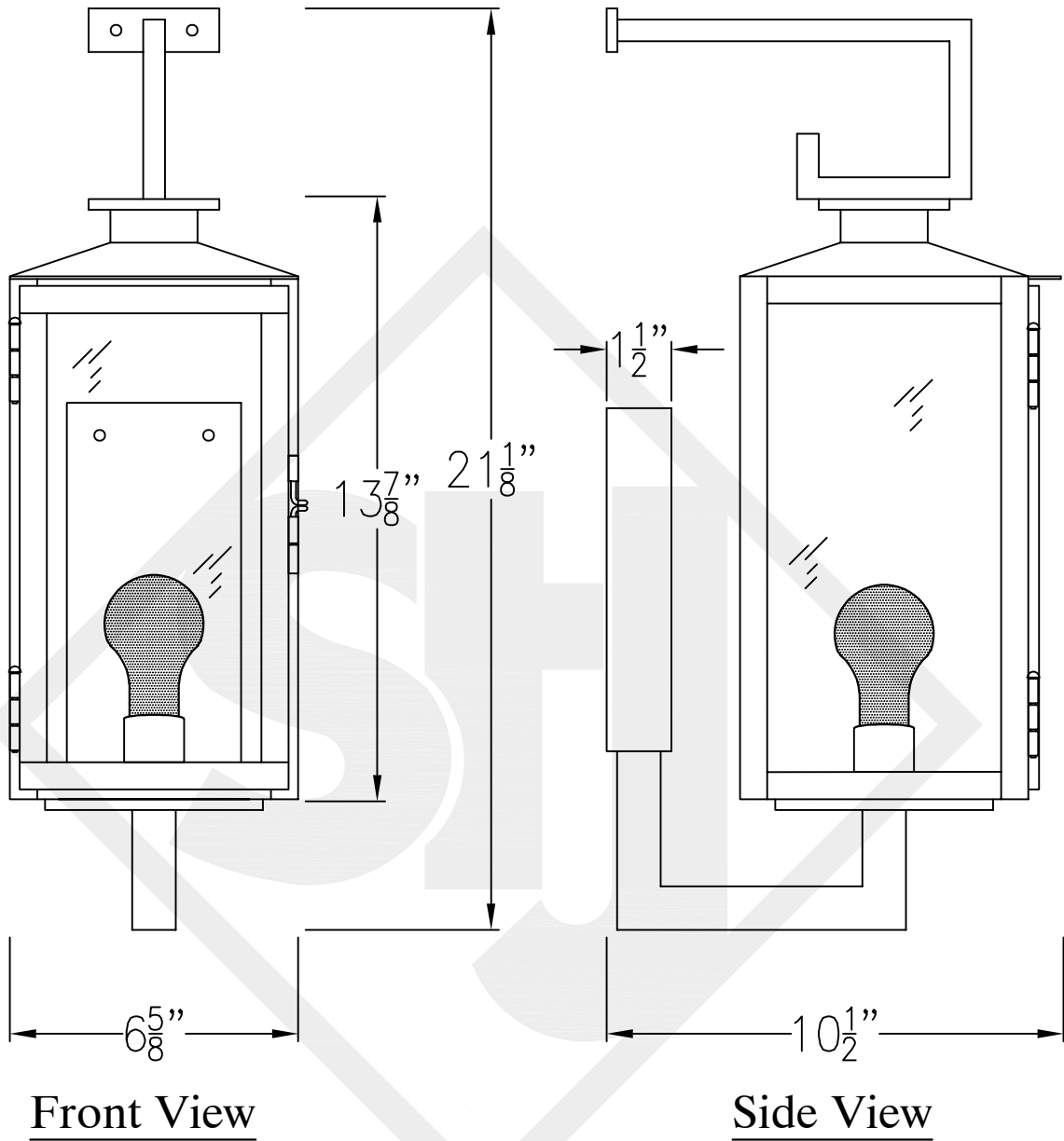


OXFORD MINI STEEL WALL MOUNT

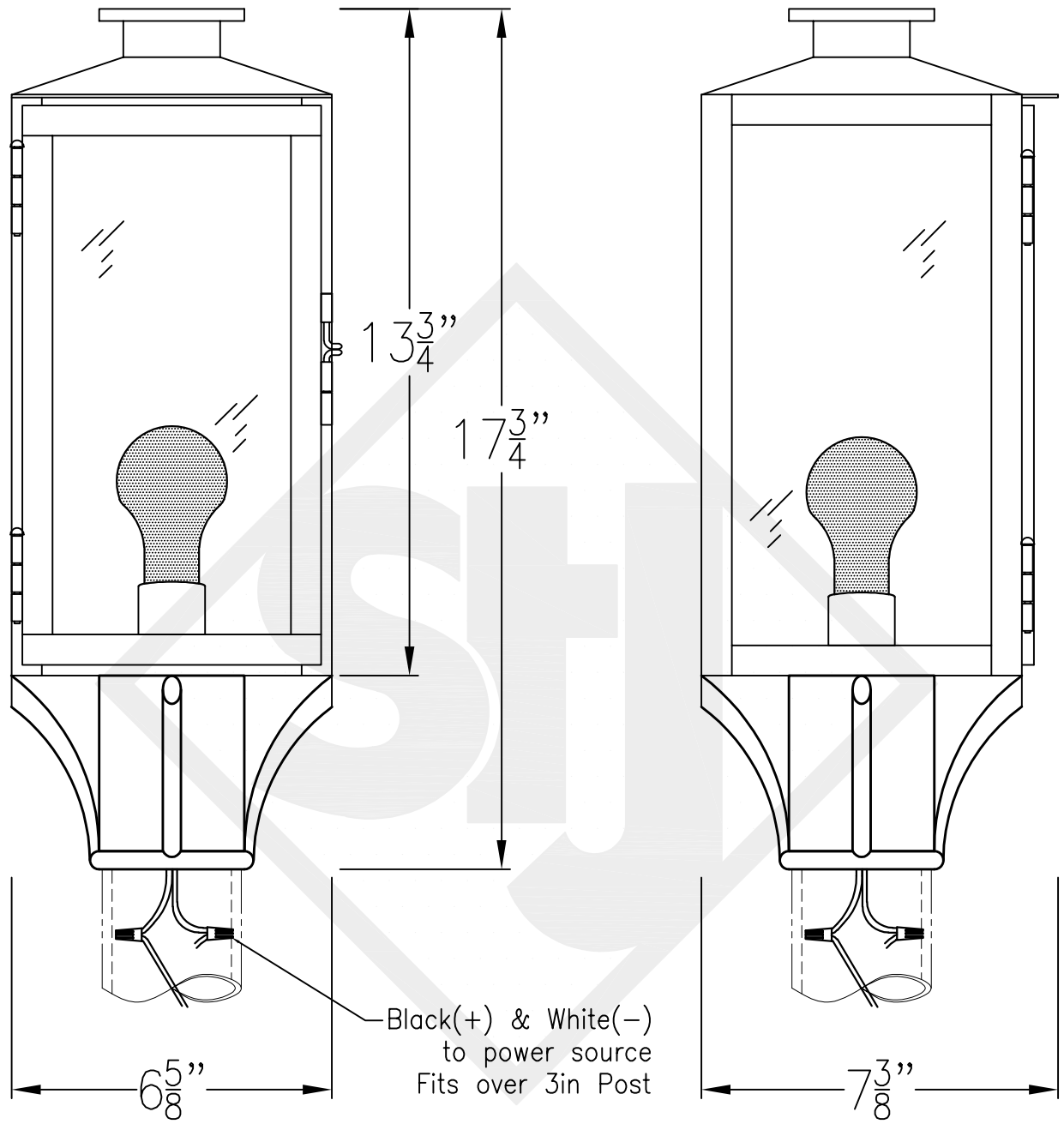


Backplate

Lights are hand crafted
Dimensions may vary by
 $\frac{1}{4}$ "

Oxford Mini Steel Wall Mount	
St. James LIGHTING	
SCALE: N.T.S.	DRAFT: B. Vial
FILE: OXF	APP'D: J. Ragan
JOB: X	DATE: 09/27/19

OXFORD MINI COPPER POST MOUNT



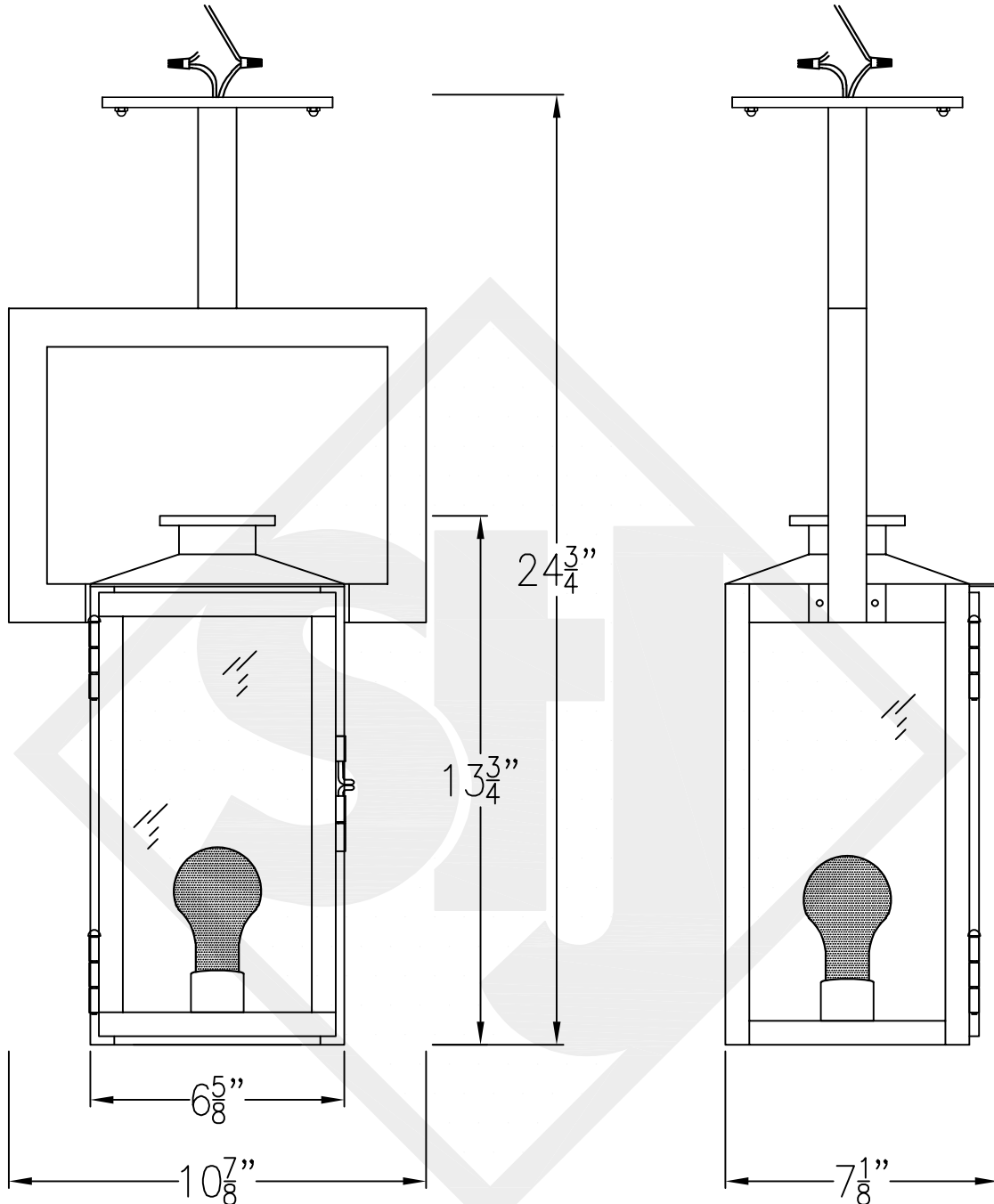
Front View

Front View

Lights are hand crafted
Dimensions may vary by
1/4"

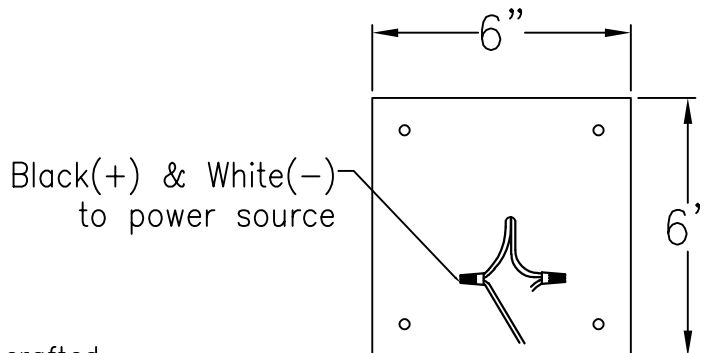
Oxford Mini Copper Post Mount	
St. James LIGHTING	
SCALE: N.T.S.	DRAFT: B. Vial
FILE: OXF	APP'D: J. Ragan
JOB: X	DATE: 11/1/19

OXFORD MINI CEILING MOUNT HALF YOKE



Front View

Side View

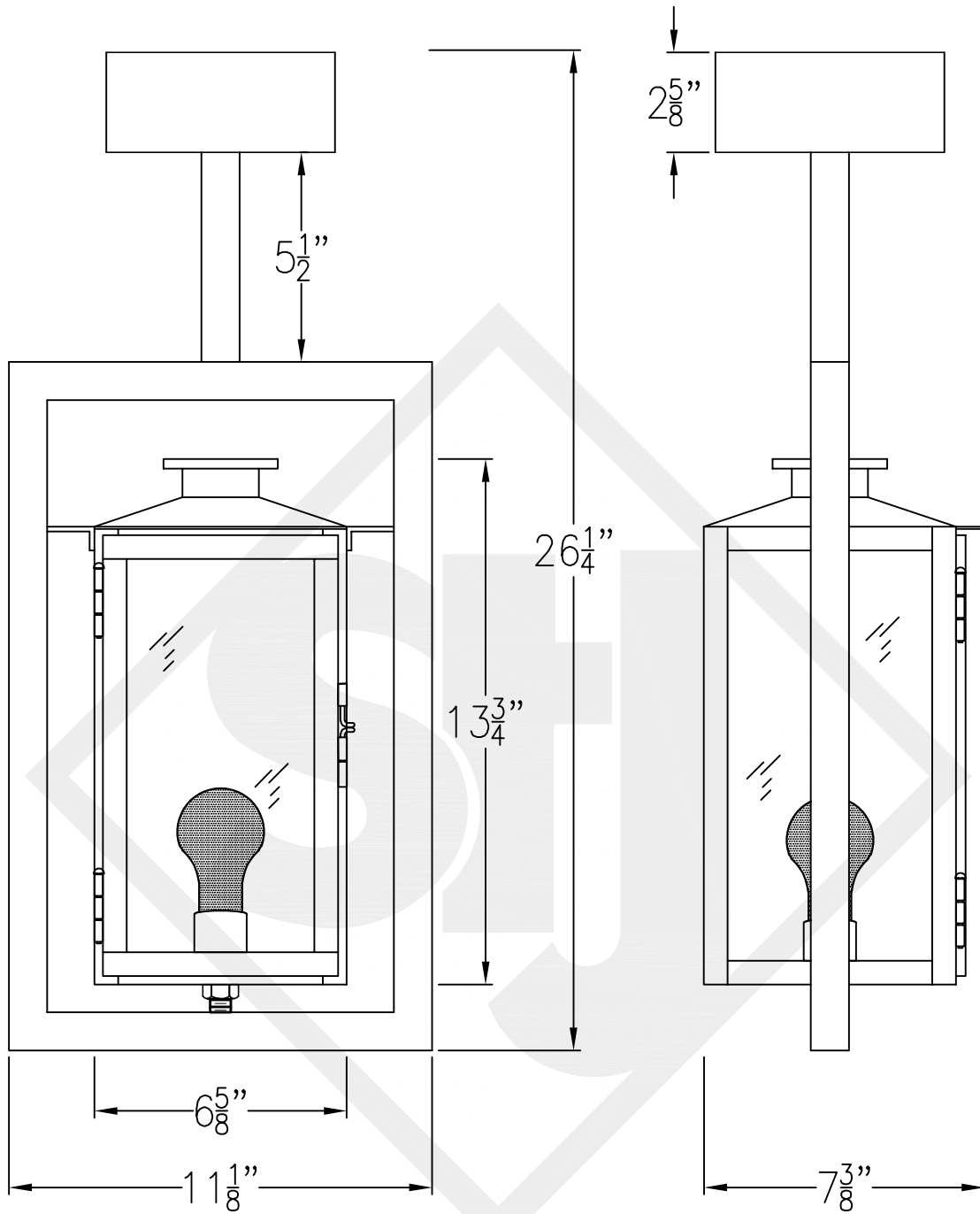


Ceiling Mount

Lights are hand crafted
Dimensions may vary by
 $\frac{1}{4}$ "

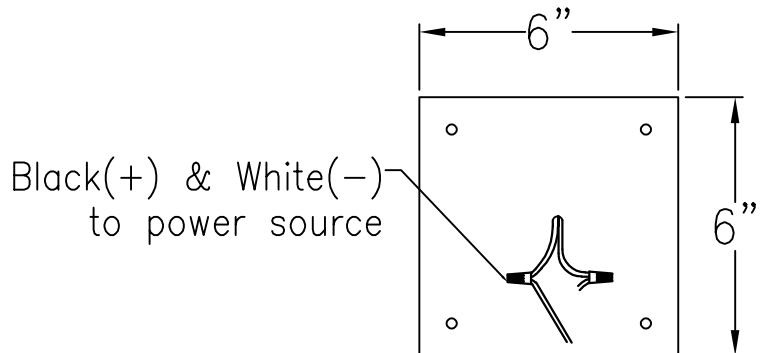
Oxford Mini Ceiling Mount Half Yoke	
St. James LIGHTING	
SCALE: N.T.S.	DRAFT: B. Vial
FILE: OXF	APP'D: J. Ragan
JOB: X	DATE: 10/02/19

OXFORD MINI CEILING MOUNT FULL YOKE



Front View

Side View

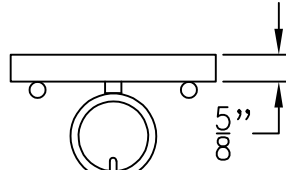


Ceiling Mount

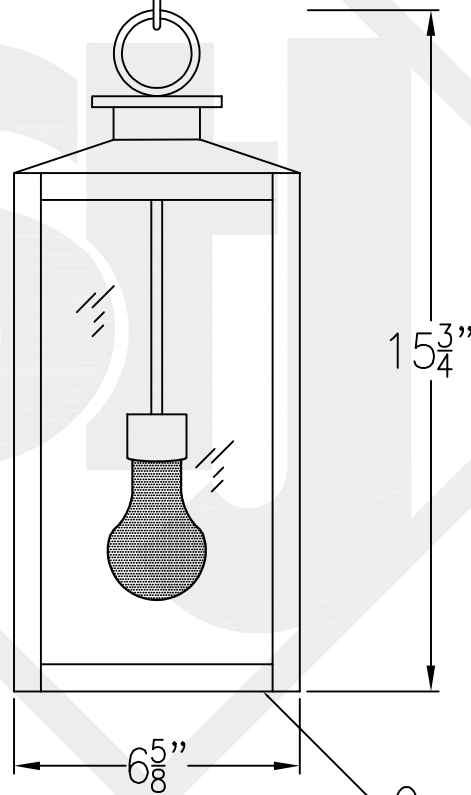
Lights are hand crafted
Dimensions may vary by
1/4"

Oxford Mini Ceiling Mount Full Yoke	
St. James LIGHTING	
SCALE: N.T.S.	DRAFT: B. Vial
FILE: OXF	APP'D: J. Ragan
JOB: X	DATE: 11/1/19

OXFORD MINI CHAIN HUNG PENDANT



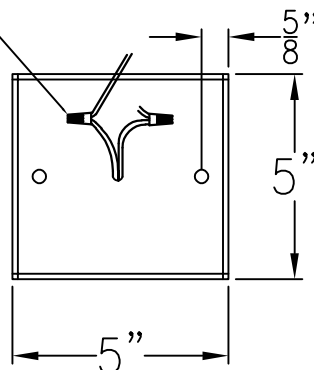
Comes standard w/ 6ft
of chain



Front View


Open Bottom

Black(+) & White(-)
to power source



Ceiling Canopy

Lights are hand crafted
Dimensions may vary by
1/4"

Oxford Mini Chain Hung Pendant	
	St. James LIGHTING
SCALE: N.T.S.	DRAFT: B. Vial
FILE: OXF	APP'D: J. Ragan
JOB: X	DATE: 10/02/19