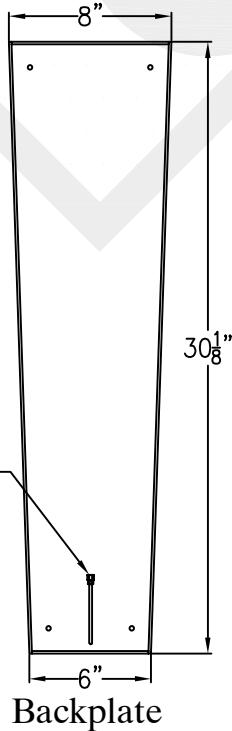
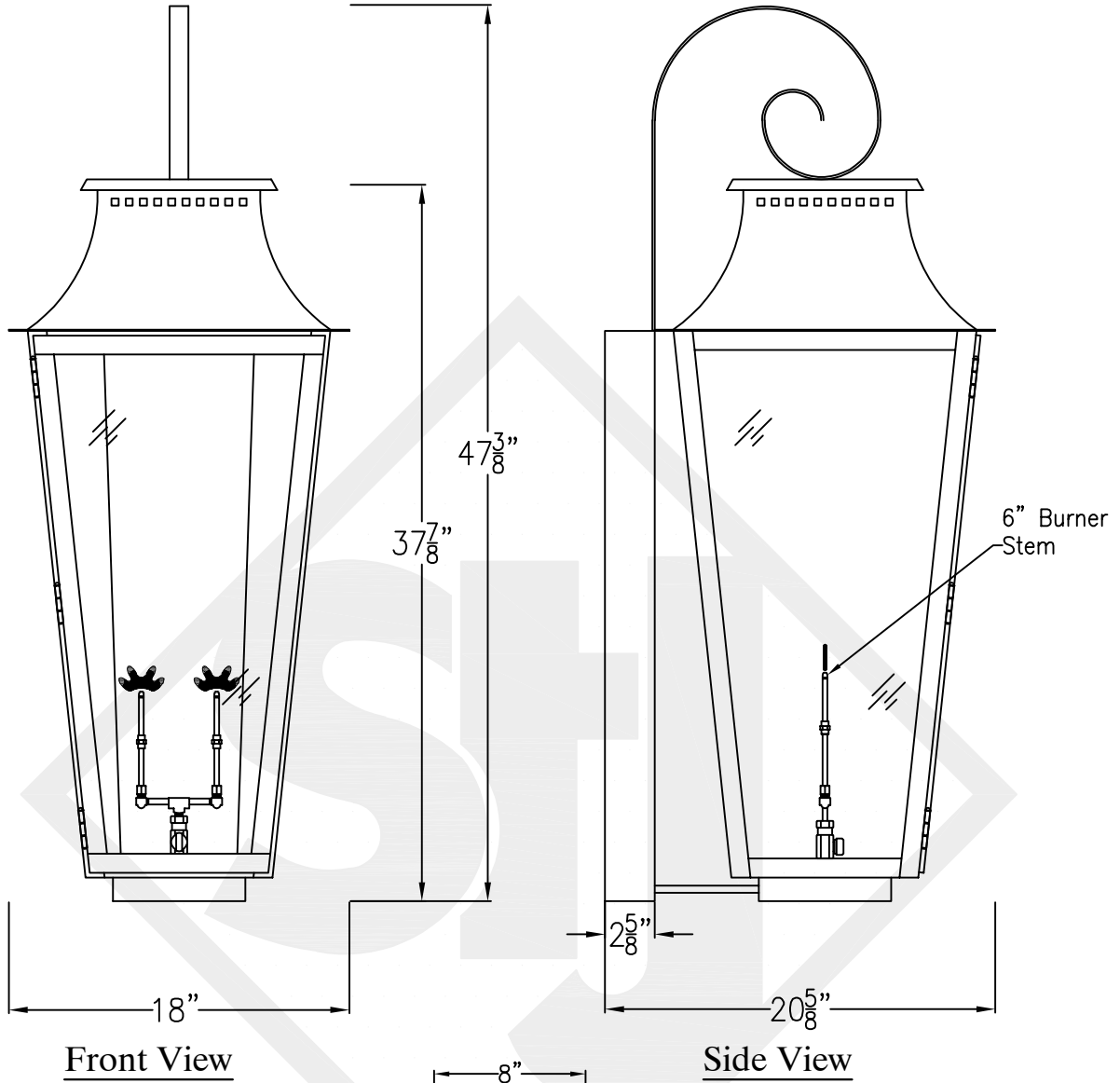


# WOOD DALE GRANDE COPPER WALL MOUNT

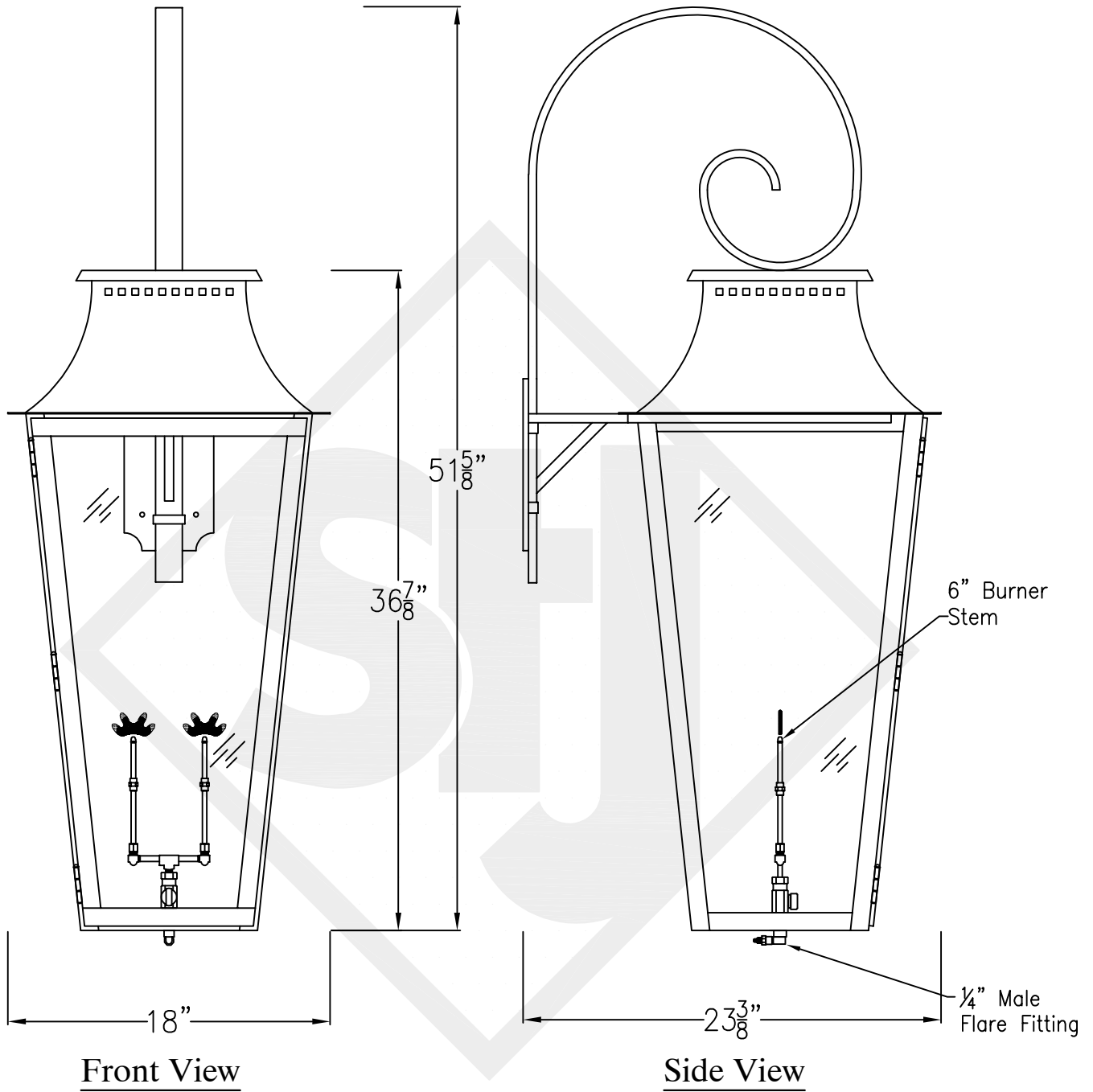


Lights are hand crafted  
Dimensions may vary by 1/4"

Wood Dale Grande Wall Mount	
<b>St. James LIGHTING</b>	
SCALE: N.T.S.	DRAFT: B. Vial
FILE: LOUM	APP'D: J. Ragan
JOB: X	DATE: 03/31/20

# WOOD DALE GRANDE STEEL WALL MOUNT

Comes standard w/ Top Curl

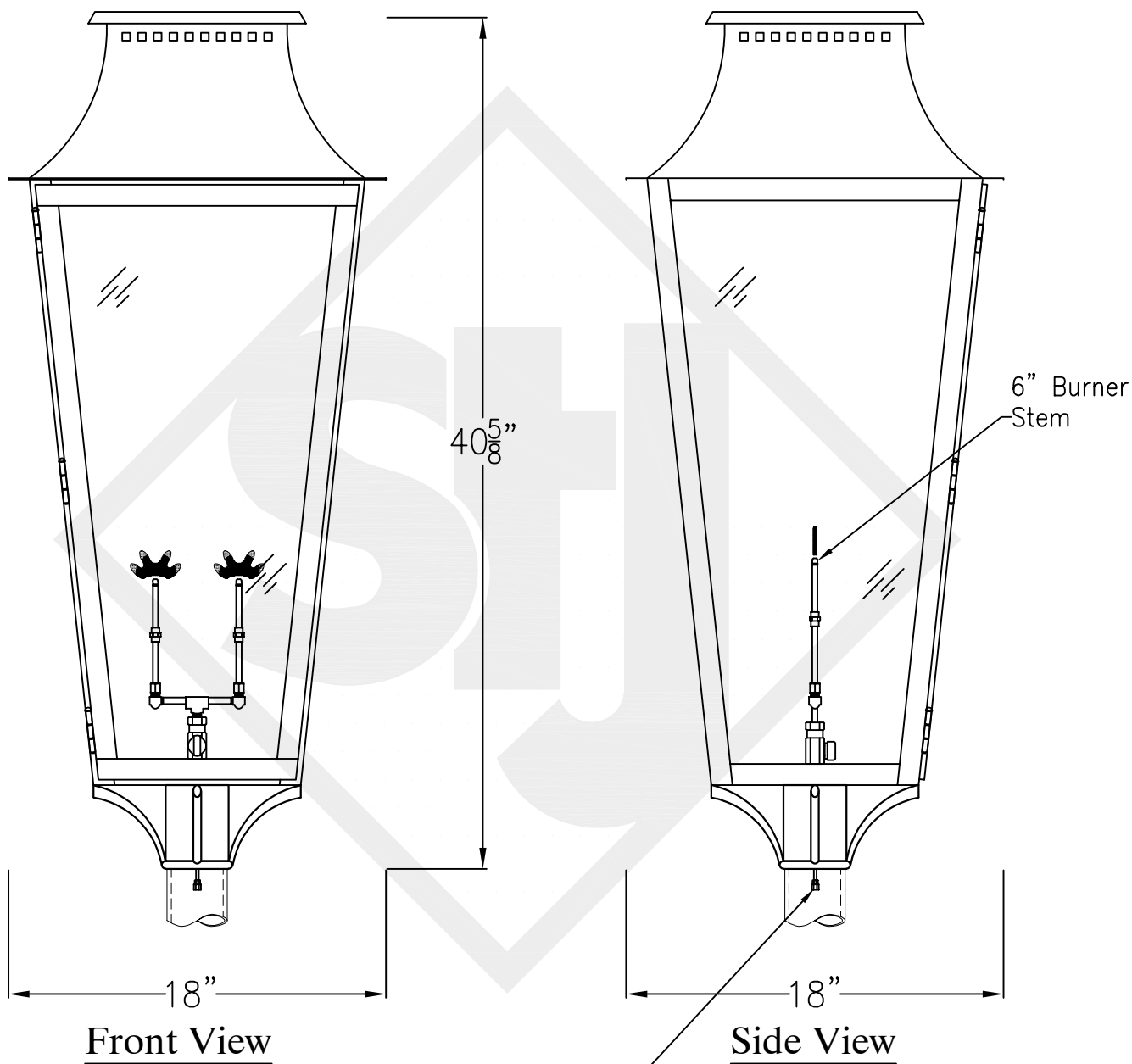


Lights are hand crafted  
Dimensions may vary by 1/4"

Backplate


Wood Dale Grande Wall Mount	
<b>St. James LIGHTING</b>	
SCALE: N.T.S.	DRAFT: B. Vial
FILE: LOUM	APP'D: J. Ragan
JOB: X	DATE: 12/13/19

# WOOD DALE GRANDE COPPER POST MOUNT



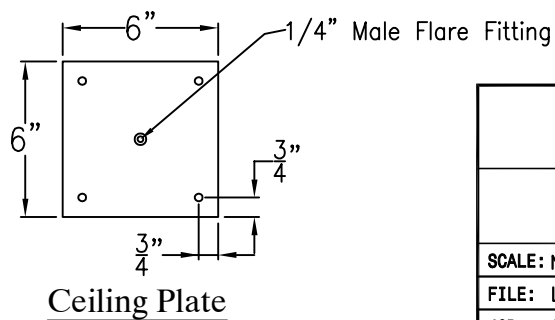
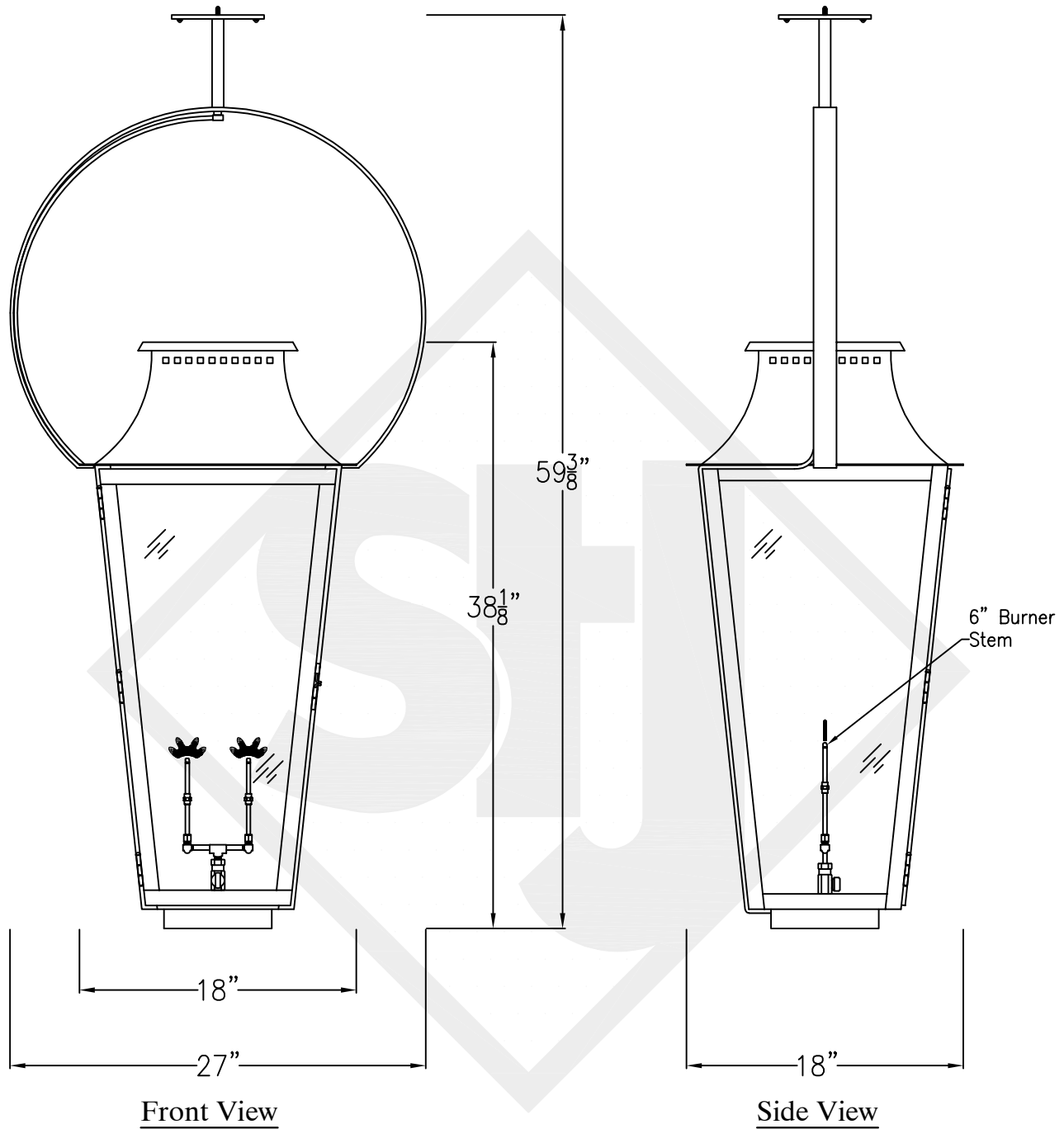
1/4" Flare Fitting  
Fits over 3/4" Post

Lights are hand crafted  
Dimensions may vary by 1/4"

Wood Dale Grande Copper Post Mount	
 St. James LIGHTING	
SCALE: N.T.S.	DRAFT: B. Vial
FILE: LOUM	APP'D: J. Ragan
JOB: X	DATE: 12/13/19

# WOOD DALE GRANDE CEILING MOUNT HALF YOKE

Shortest Height  $54\frac{3}{8}$ "

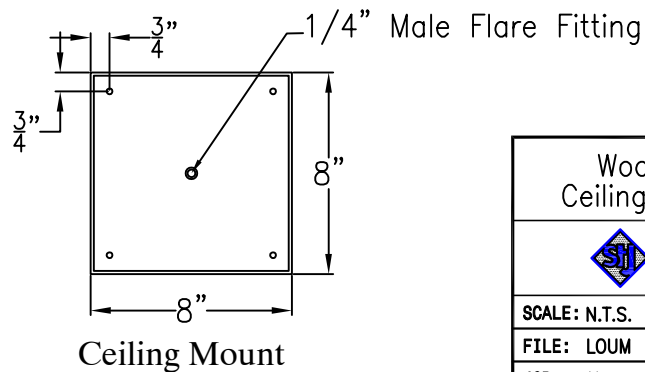
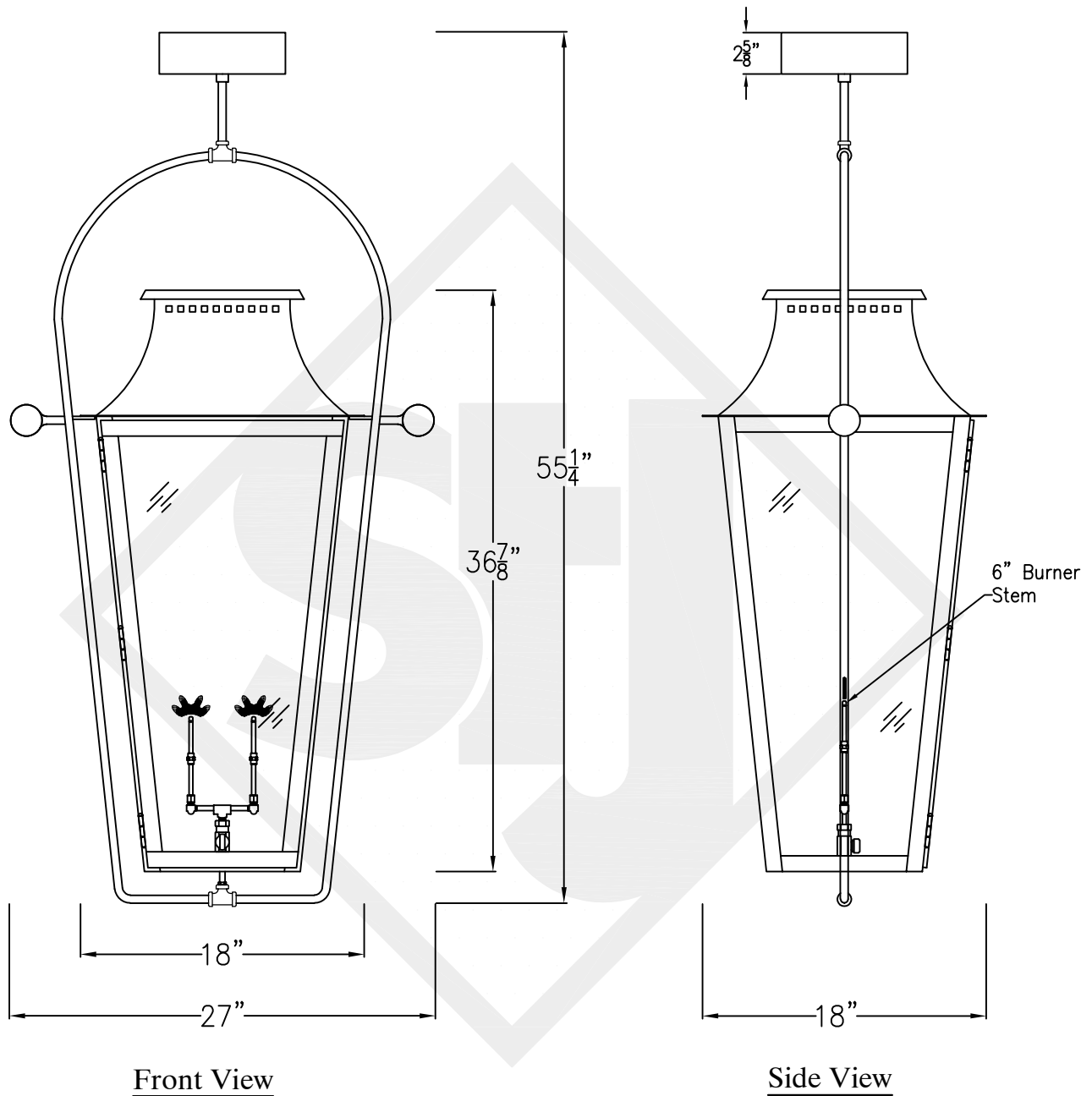


Lights are hand crafted  
Dimensions may vary by 1/4"

Wood Dale Grande Ceiling Half Yoke	
<b>St. James LIGHTING</b>	
SCALE: N.T.S.	DRAFT: B. Vial
FILE: LOUM	APP'D: J. Ragan
JOB: X	DATE: 12/16/19

# WOOD DALE GRANDE CEILING MOUNT FULL YOKE

Shortest Height 50 $\frac{3}{8}$ "

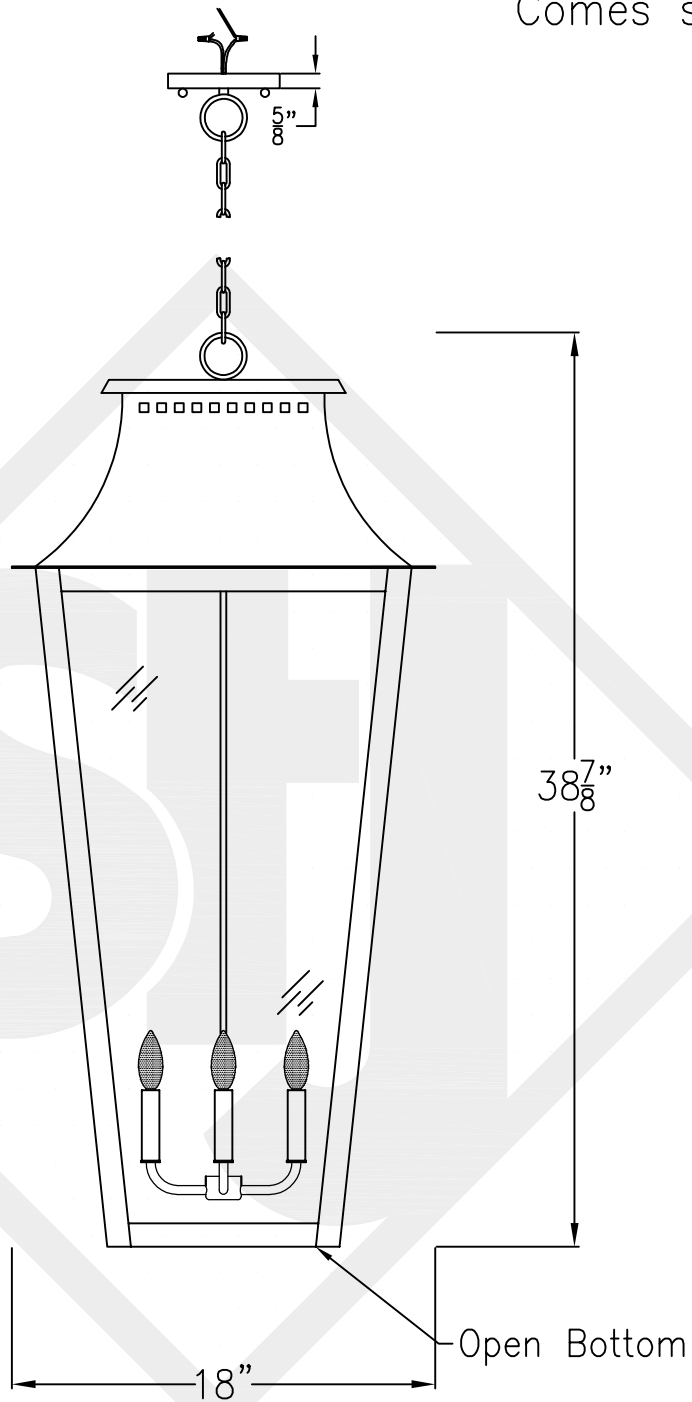


Lights are hand crafted  
Dimensions may vary by 1/4"

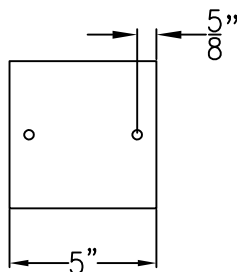
Wood Dale Grande Ceiling Mount Full Yoke	
	<b>St. James LIGHTING</b>
SCALE: N.T.S.	DRAFT: B. Vial
FILE: LOUM	APP'D: J. Ragan
JOB: X	DATE: 12/16/19

# WOOD DALE GRANDE CHAIN HUNG PENDANT

Comes standard w/  
6' of chain




Front View



Ceiling Canopy

Lights are hand crafted  
Dimensions may vary by 1/4"

Wood Dale Grande Chain Hung Pendant	
 St. James LIGHTING	
SCALE: N.T.S.	DRAFT: B. Vial
FILE: LOUM	APP'D: J. Ragan
JOB: X	DATE: 07/02/19