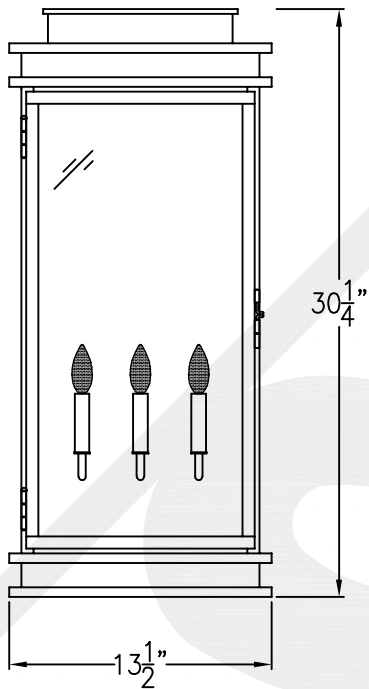
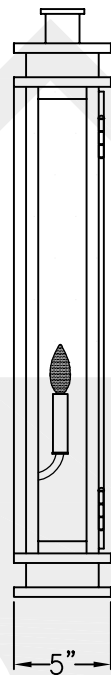


SOMERSET GRANDE COPPER WALL MOUNT

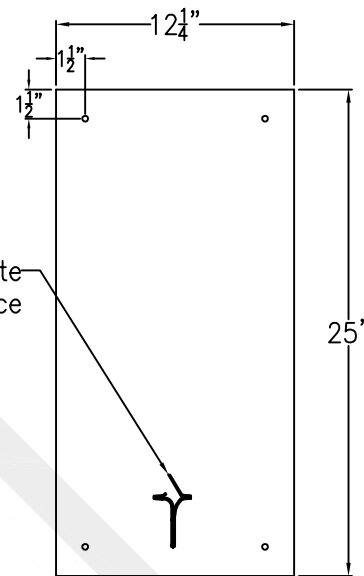
Electric



Front View



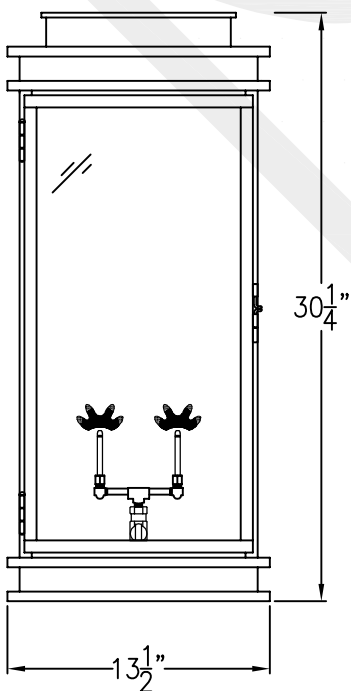
Side View



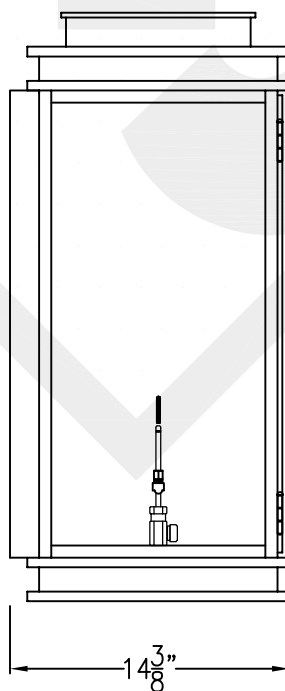
Backplate

Black and White
to power source

Gas

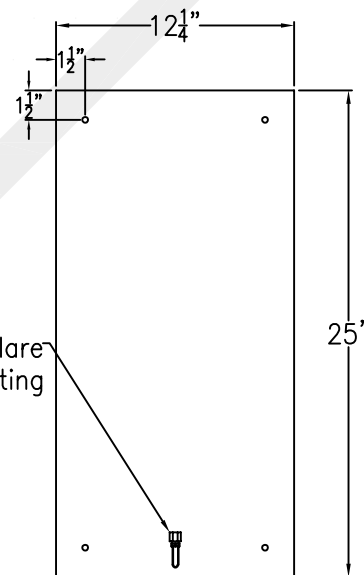


Front View



Side View

1/4" Female Flare
Fitting



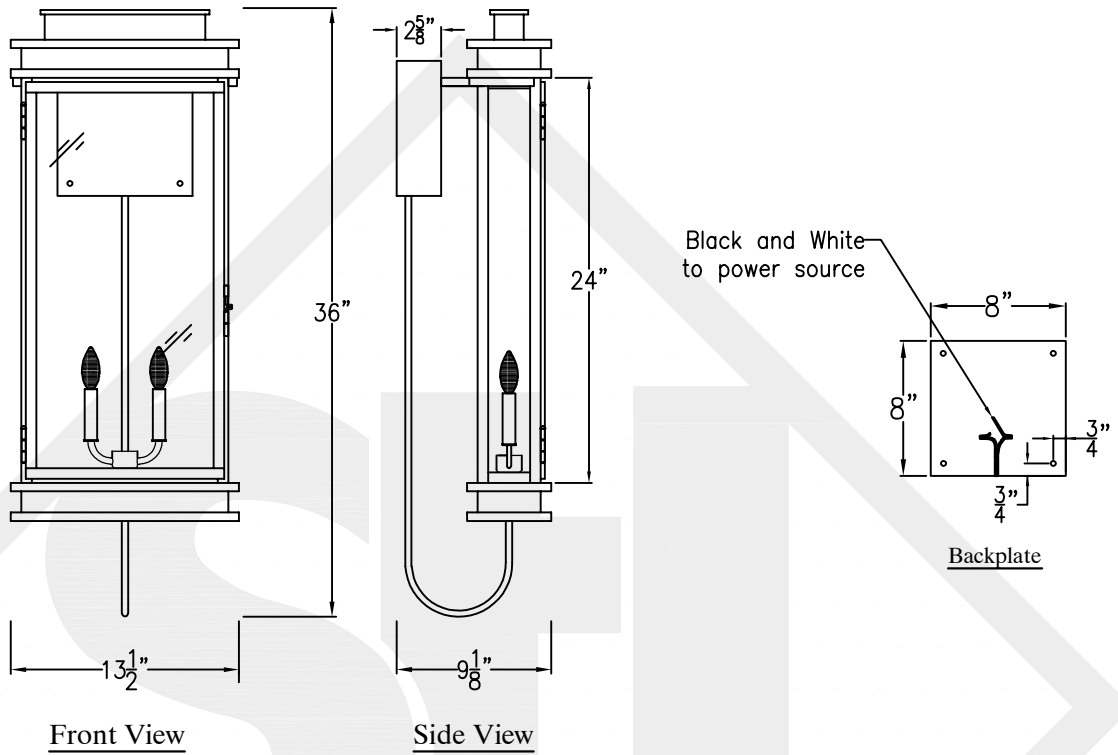
Backplate

Lights are hand crafted
Dimensions may vary by 1/4"

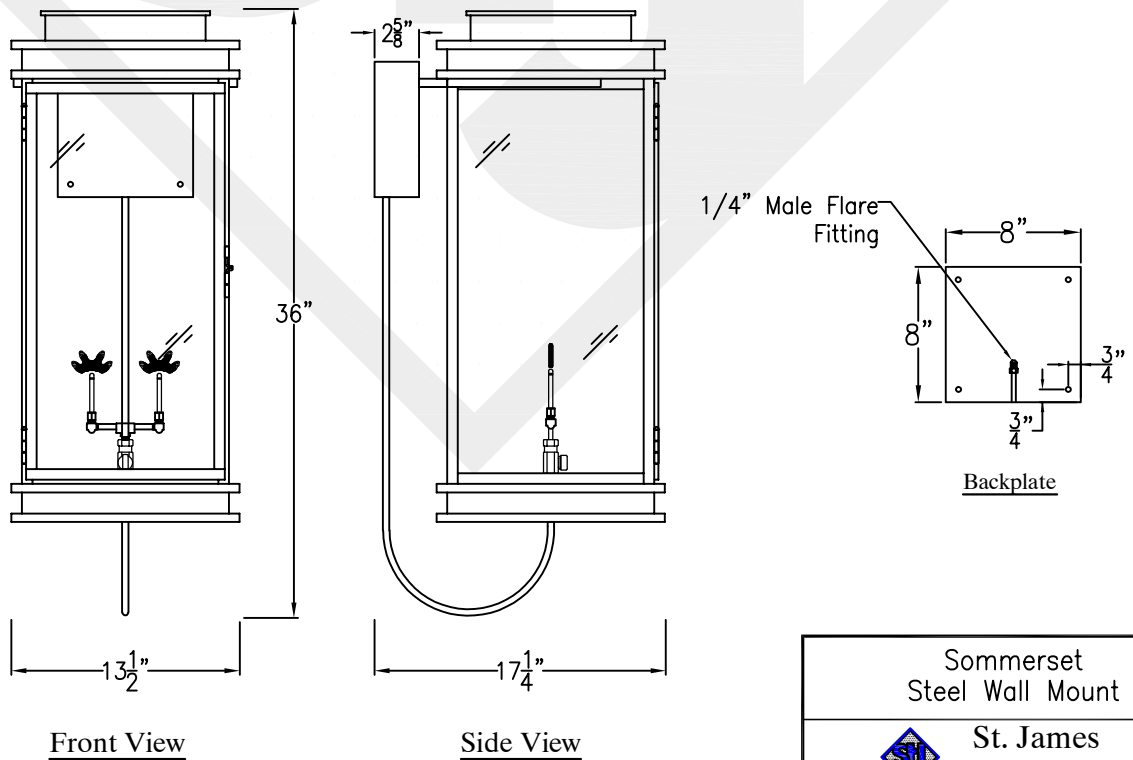
Somerset Copper Wall Bracket	
St. James LIGHTING	
SCALE: N.T.S.	DRAFT: B. Vial
FILE: SomM	APP'D: J. Ragan
JOB: x	DATE: 9/20/17

SOMERSET GRANDE STEEL WALL MOUNT

Electric



Gas

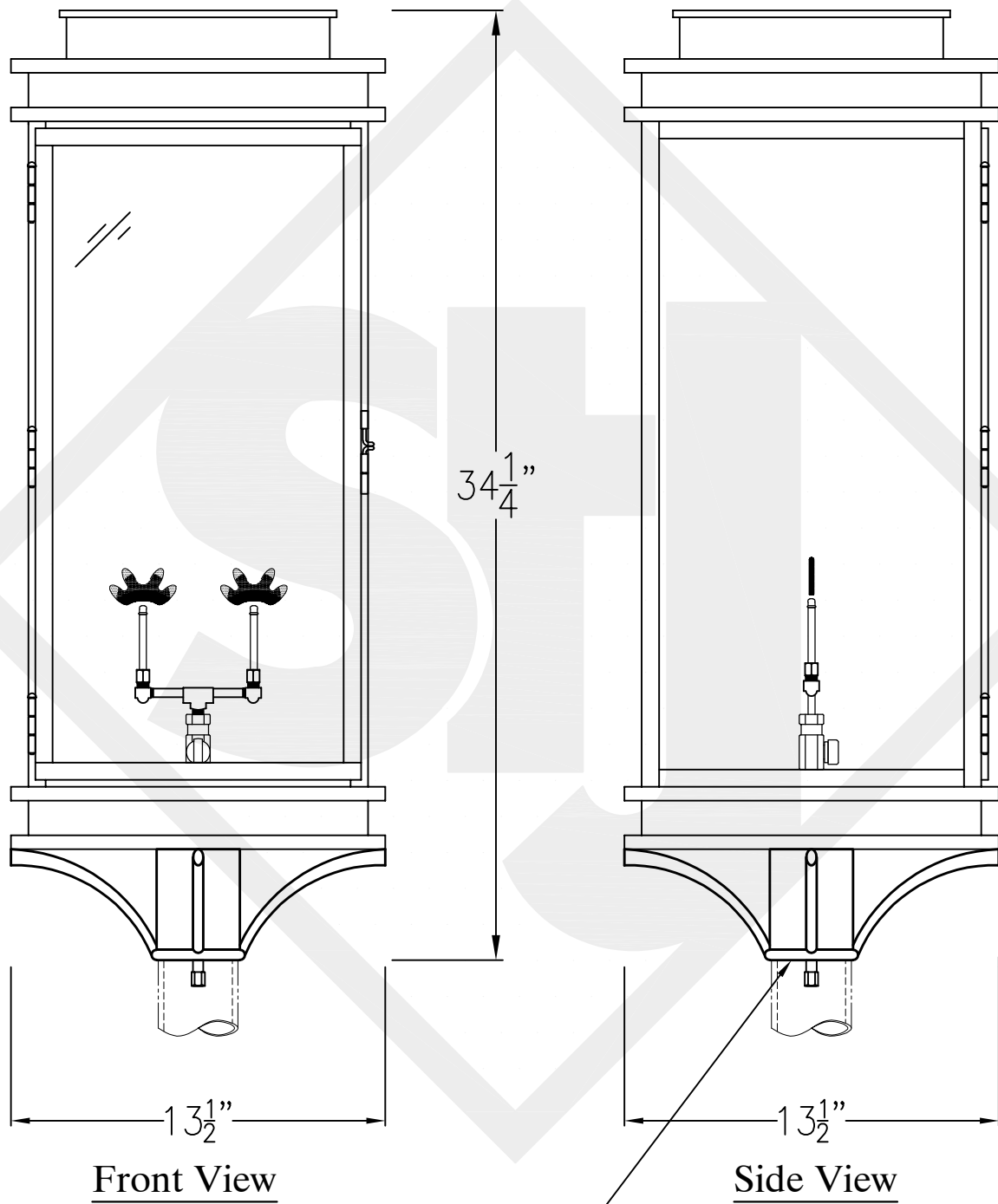


Lights are hand crafted
Dimensions may vary by 1/4"

Somerset Steel Wall Mount	
St. James LIGHTING	
SCALE: N.T.S.	DRAFT: B. Vial
FILE: SomM	APP'D: J. Ragan
JOB: x	DATE: 9/20/17

SOMERSET GRANDE COPPER POST MOUNT

Available in Gas or Electric




Front View

Side View

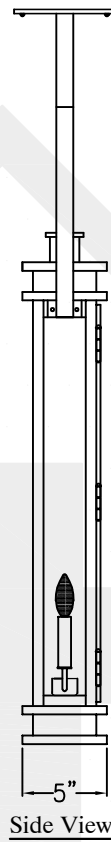
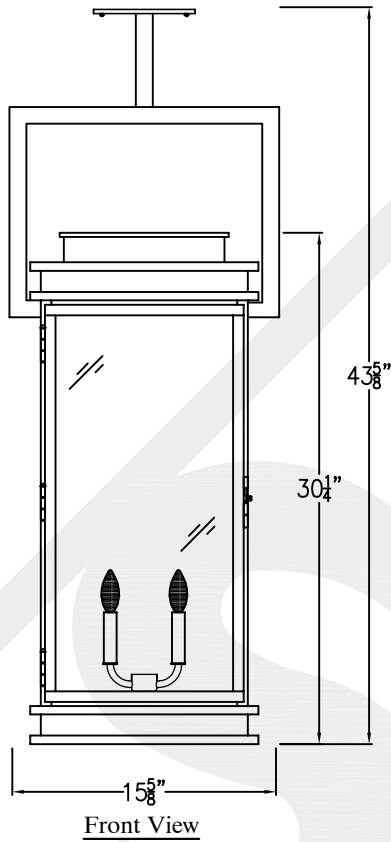
Fits over 3" post
1/4" Female Flare
Fitting

Lights are hand crafted
Dimensions may vary by 1/4"

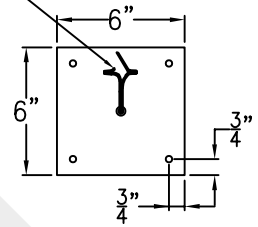
Somerset Grande Copper Post Mount	
 St. James LIGHTING	
SCALE: N.T.S.	DRAFT: B. Vial
FILE: SomM	APP'D: J. Ragan
JOB: x	DATE: 12/26/19

SOMERSET GRANDE CEILING HALF YOKE

Electric

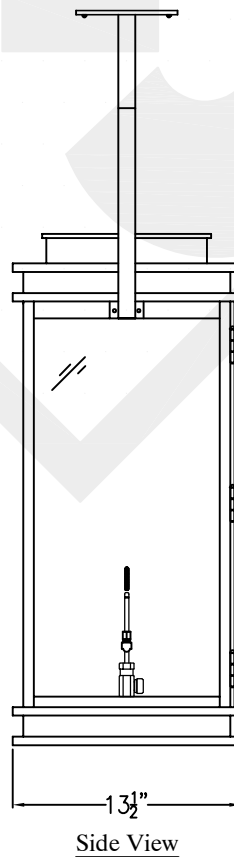
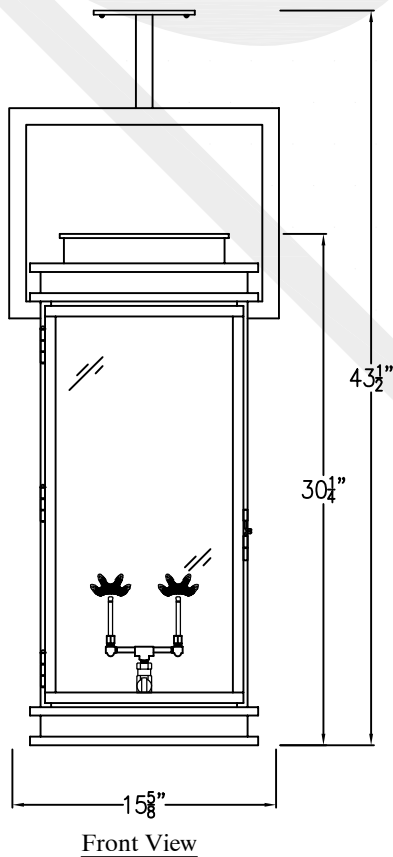


Smooth(+) & Ribbed(-)
to power source

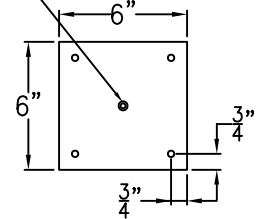


Ceiling Plate

Gas




1/4" Female Flare
Fitting



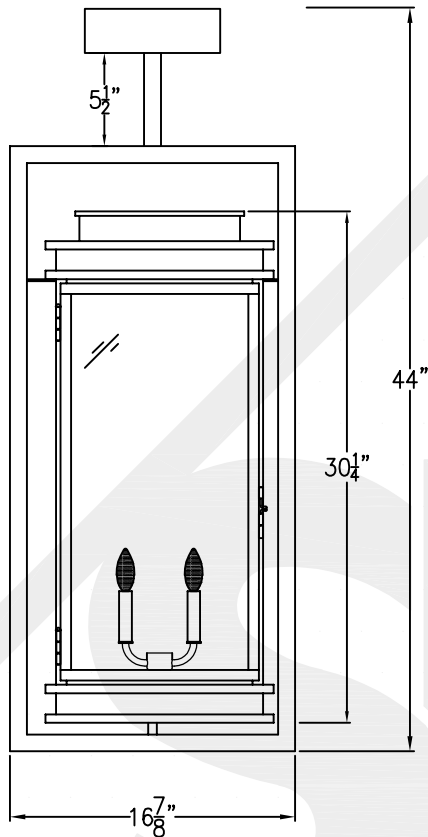
Ceiling Plate

Shortest Gas height 38 1/2"
Lights are hand crafted
Dimensions may vary by 1/4"

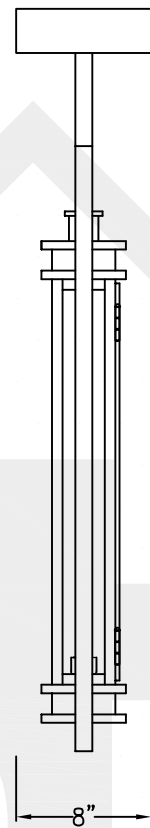
Somerset Ceiling Half Yoke	
 St. James LIGHTING	
SCALE: N.T.S.	DRAFT: B. Vial
FILE: SomM	APP'D: J. Ragan
JOB: x	DATE: 06/19/18

SOMERSET GRANDE CEILING FULL YOKE

Electric

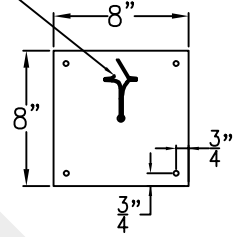


Front View



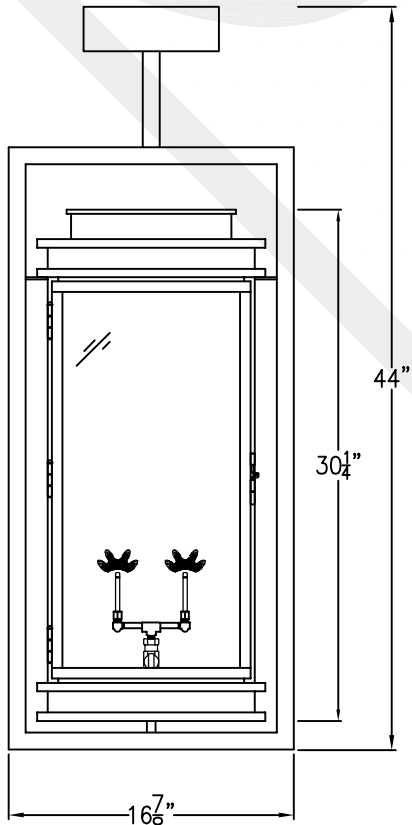
Side View

Smooth(+) & Ribbed(-)
to power source

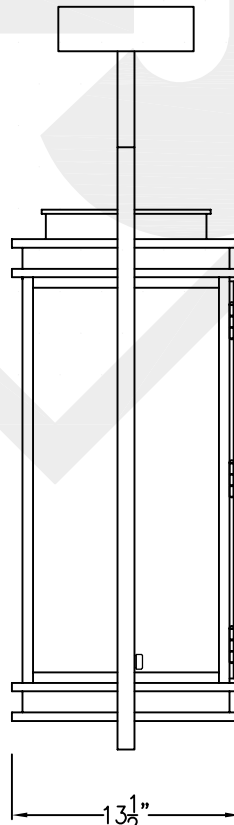


Ceiling Plate

Gas

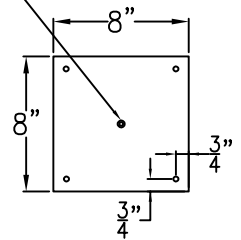


Front View



Side View

1/4" Female Flare
Fitting



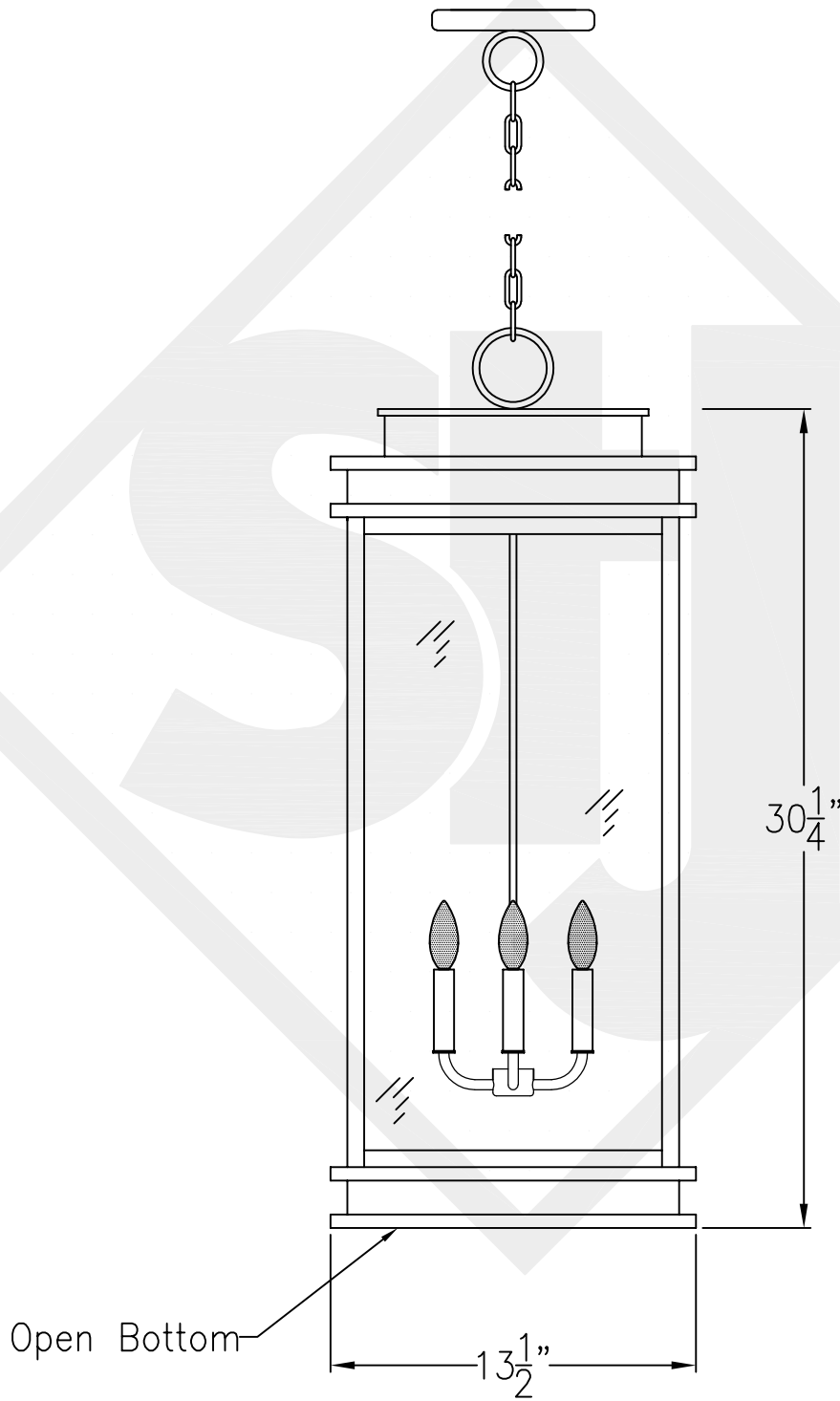
Ceiling Plate

Shortest Gas height 40 1/2"
Lights are hand crafted
Dimensions may vary by 1/4"

Somerset Ceiling Full Yoke	
St. James LIGHTING	
SCALE: N.T.S.	DRAFT: B. Vial
FILE: SomM	APP'D: J. Ragan
JOB: x	DATE: 9/20/17


SOMERSET GRANDE CHAIN HUNG PENDANT

Comes standard w/ 6'
of chain



Front View

Lights are hand crafted
Dimensions may vary by $\frac{1}{4}$ "

Somerset Grande Chain Hung Pendant	
 St. James LIGHTING	
SCALE: N.T.S.	DRAFT: B. Vial
FILE: SomM	APP'D: J. Ragan
JOB: x	DATE: 9/20/17