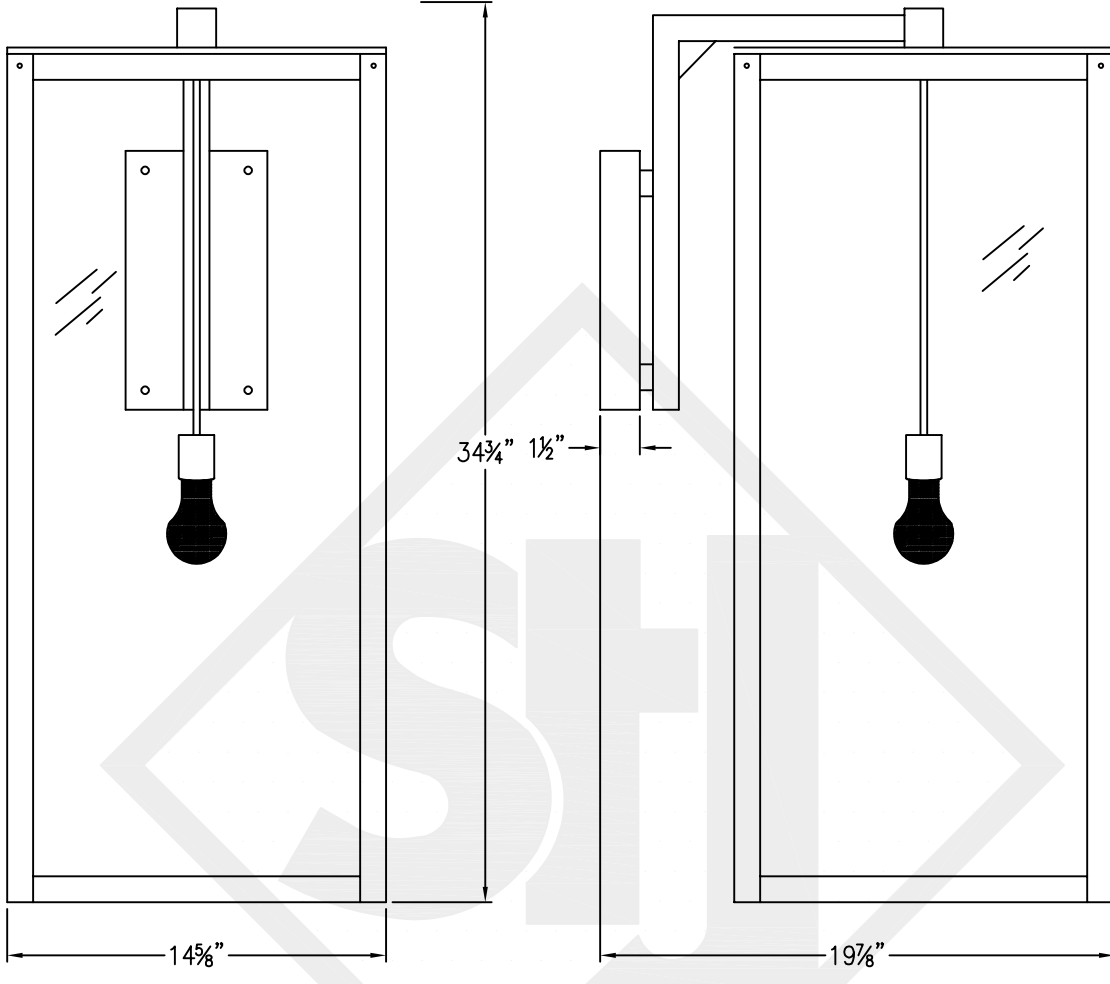
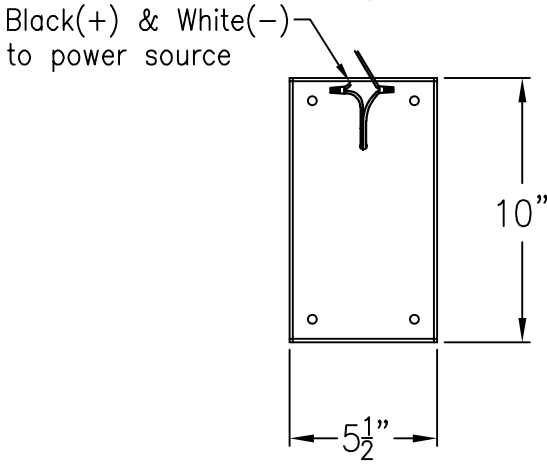


ASHLEY DOUBLE GRANDE STEEL WALL MOUNT



Front View

Side View

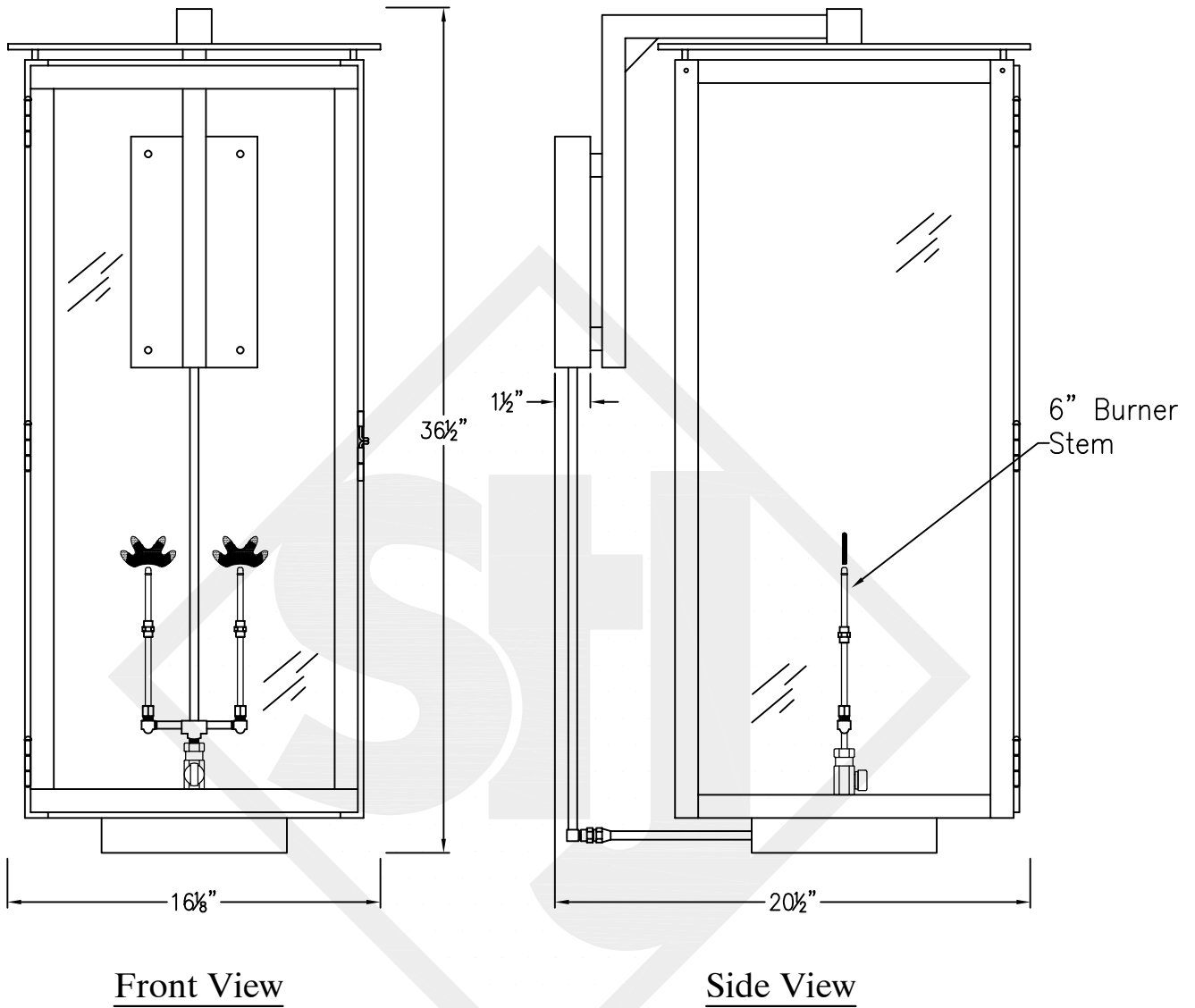


Backplate

Lights are hand crafted
 Dimensions may vary by 1/4"

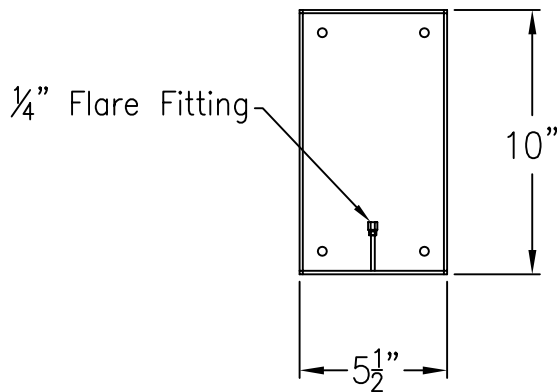
Ashley Double Grande Steel Wall Mount	
St. James LIGHTING	
SCALE: N.T.S.	DRAFT: M. Buckley
FILE: ASH	APP'D: J. Ragan
JOB: x	DATE: 2/9/22

ASHLEY DOUBLE GRANDE STEEL WALL MOUNT




Front View

Side View



Backplate

Lights are hand crafted
Dimensions may vary by $\frac{1}{4}$ "

Ashley Double Grande Steel Wall Mount	
 St. James LIGHTING	
SCALE: N.T.S.	DRAFT: M. Buckley
FILE: ASH	APP'D: J. Ragan
JOB: x	DATE: 2/9/22