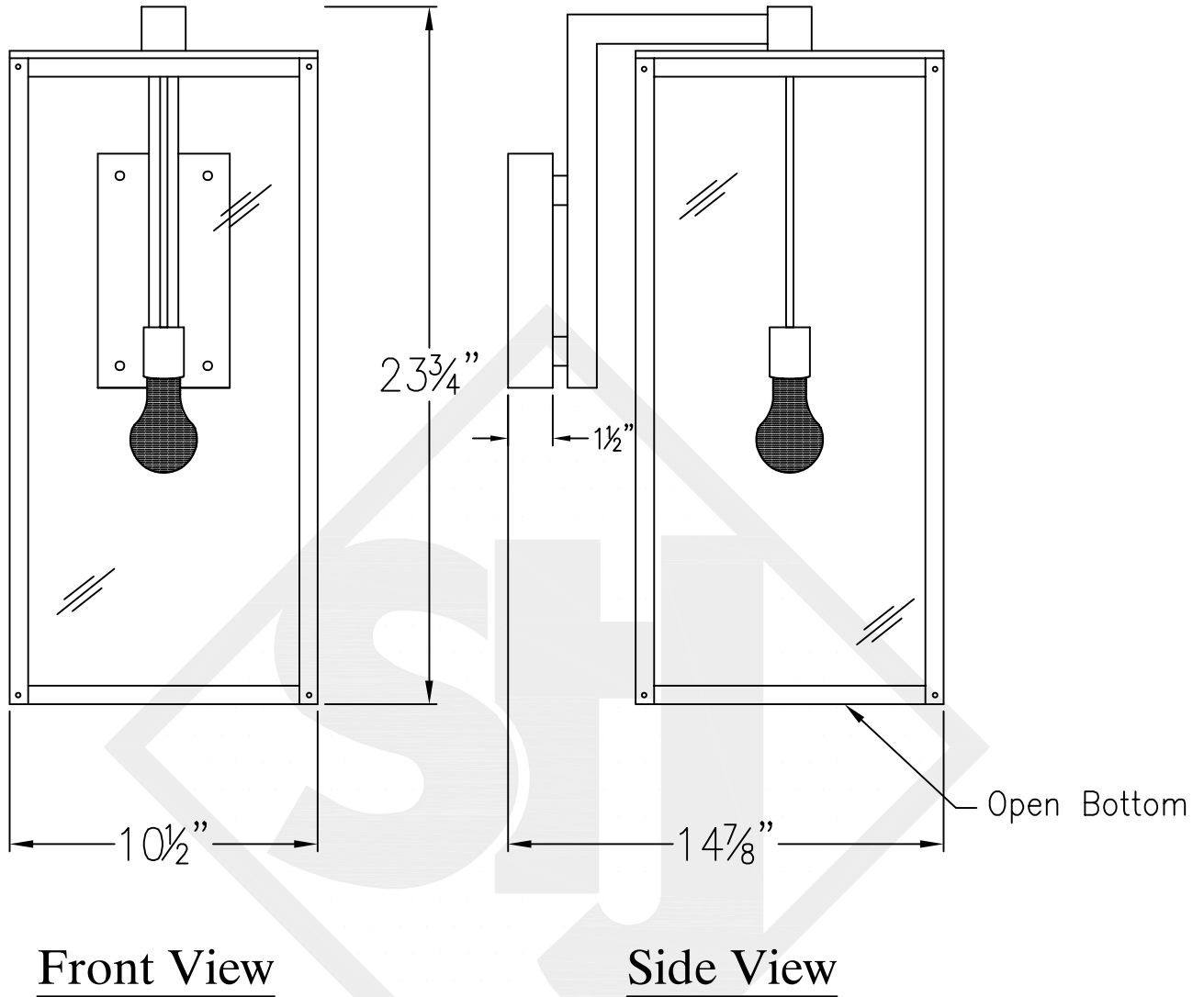
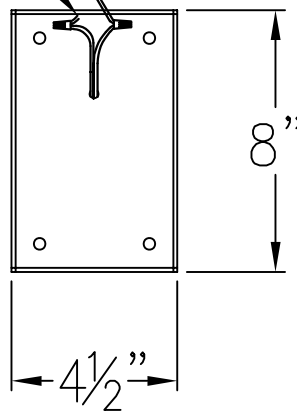


# ASHLEY LARGE STEEL WALL MOUNT



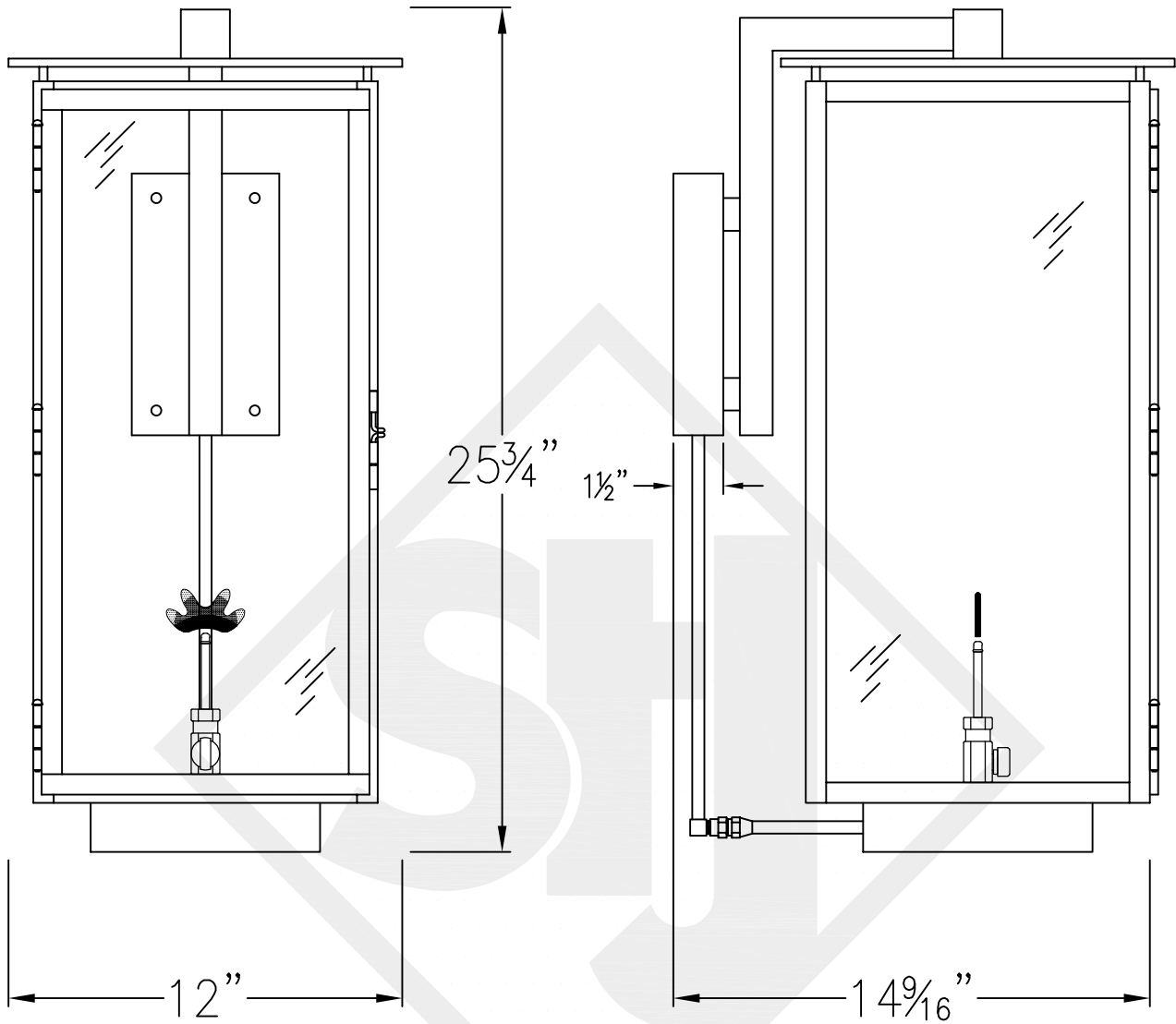
Black(+) & White(-)  
to power source



Lights are hand crafted  
Dimensions may vary by  $1/4"$

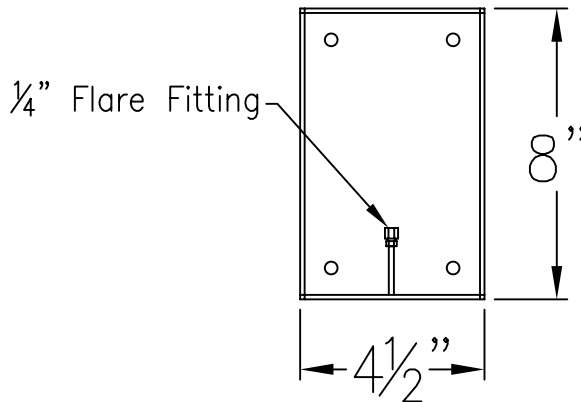
Ashley Large Steel Wall Mount	
<b>St. James LIGHTING</b>	
SCALE: N.T.S.	DRAFT: M. Buckley
FILE: ASH	APP'D: J. Ragan
JOB: x	DATE: 2/9/22

# ASHLEY LARGE STEEL WALL MOUNT




Front View

Side View



Backplate

Lights are hand crafted  
Dimensions may vary by  $1/4$ "

Ashley Large Steel Wall Mount	
 <b>St. James LIGHTING</b>	
SCALE: N.T.S.	DRAFT: M. Buckley
FILE: ASH	APP'D: J. Ragan
JOB: x	DATE: 2/9/22